

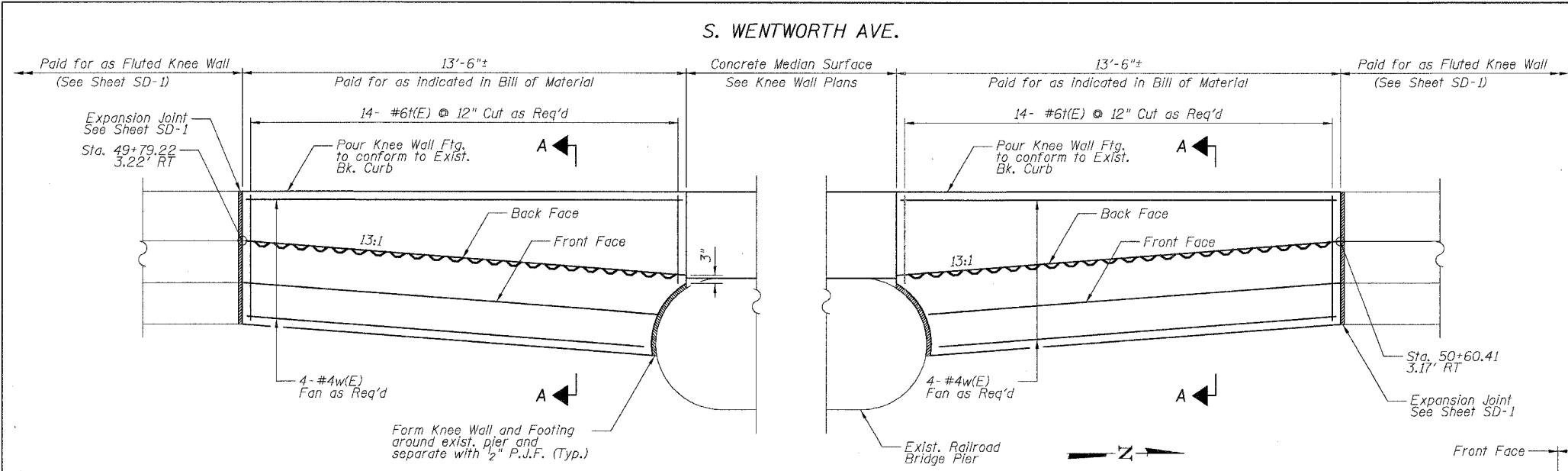
F.A.I.	SECTION	COUNTY	TOTAL SHEETS	SHEET NO.
94/90	*	COOK	32	16
STA.		TO STA.		
FED. ROAD DIST. NO.		ILLINOIS FED. AID PROJECT		
62997				

DETAIL A REINFORCEMENT SCHEDULE AND BILL OF MATERIAL

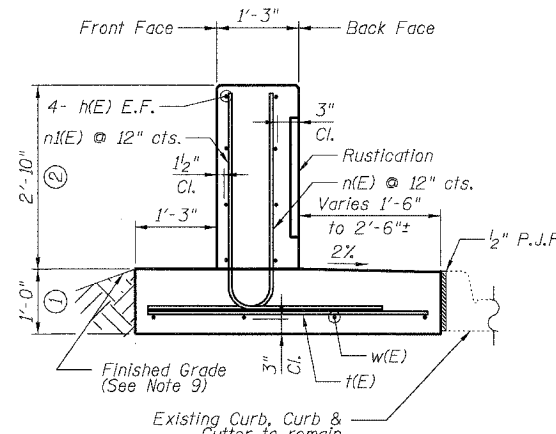
Bar	No.	Size	Length	Shape
h(E)	16	#4	12'-10"	—
n(E)	28	#6	5'-6"	L
n(E)	28	#5	5'-10"	L
t(E)	28	#6	4'-6"	—
w(E)	8	#4	13'-2"	—
Item	Unit	Qty.		
① Concrete Structures	Cu. Yd.	4.5		
② Concrete Superstructure	Cu. Yd.	3.6		
Reinforcement Bars, Epoxy Coated	Pound	800		
Rustication Finish	Sq. Ft.	50		
Protective Coat	Sq. Yd.	19		

DETAIL B REINFORCEMENT SCHEDULE AND BILL OF MATERIAL

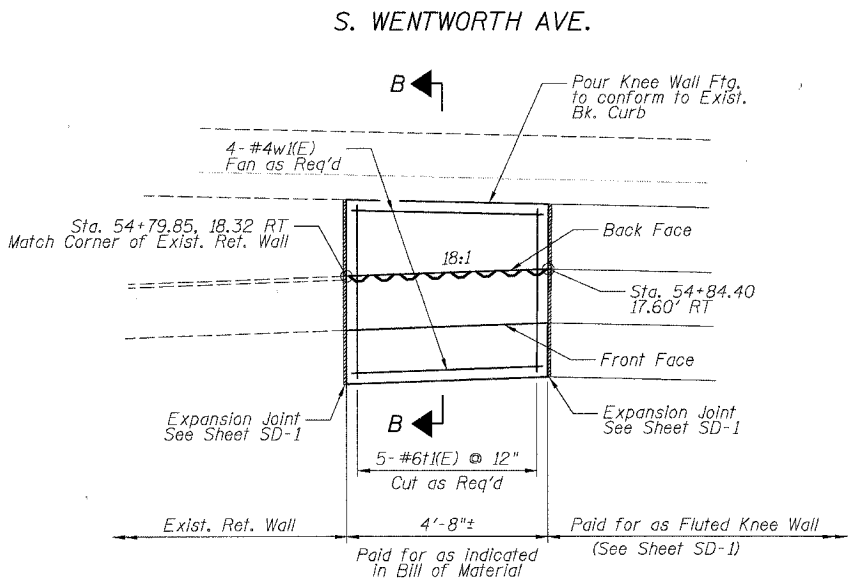
Bar	No.	Size	Length	Shape
h(E)	8	#4	4'-4"	—
n(E)	5	#6	5'-6"	L
n(E)	5	#5	5'-10"	L
t(E)	5	#6	3'-11"	—
w(E)	4	#4	4'-4"	—
Item	Unit	Qty.		
① Concrete Structures	Cu. Yd.	0.8		
② Concrete Superstructure	Cu. Yd.	0.7		
Reinforcement Bars, Epoxy Coated	Pound	140		
Rustication Finish	Sq. Ft.	9		
Protective Coat	Sq. Yd.	3		



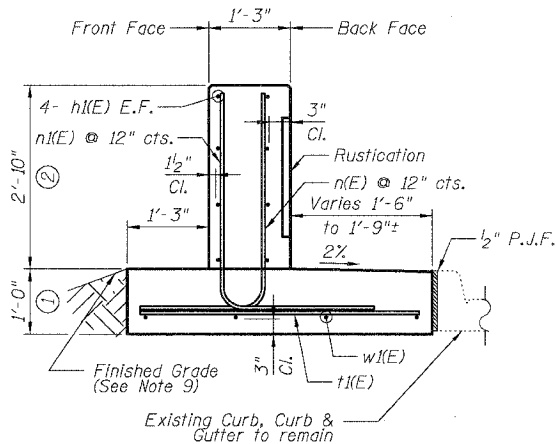
DETAIL A



SECTION A-A



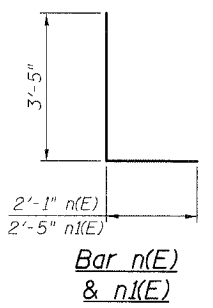
DETAIL B



SECTION B-B

NOTES:

- All stations and offsets measured from S. Wentworth Ave. \pm .
- Back Face is face adjacent to Frontage Rd. and Front Face is face adjacent to Expressway.
- Concrete: f'c = 3500 psi
- Provide California Finish on top of foundation between stem and Frontage Road. See Roadway Details.
- At locations where Fluted Knee Wall abuts a rigid Structure, a 1/2" thick Preformed Expansion Joint Filler conforming to the shape of the Structure shall be installed between the Fluted Knee Wall and the Structure.
- Apply Protective Coat to top and back face of stem and top of Frontage Road side of foundation.
- For Fluted Knee Wall standard details, see Sheet SD-1
- B.F. = Back Face (Frontage Road Side)
F.F. = Front Face (Expressway Side)
E.F. = Each Face
- Shape finished grade as required to match existing conditions.
- P.J.F. included in cost of concrete structures.



REVISIONS	NAME	DATE

SHEET SD-2

ILLINOIS DEPARTMENT OF TRANSPORTATION
F.A.I. 94/90 (DAN RYAN EXPRESSWAY)
SOUTHBOUND KNEE WALLS (ROOT ST TO PERSHING RD)

DETAILS A & B

SCALE: NTS
DATE: 04/25/08

DRAWN BY: TL
CHECKED BY: BLU

BOWMAN, BARRETT & ASSOCIATES INC.
CONSULTING ENGINEERS
Chicago, Illinois
312.228.0100
www.bbainc.com