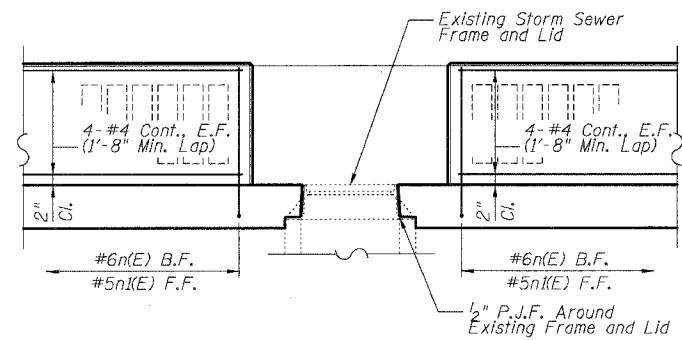
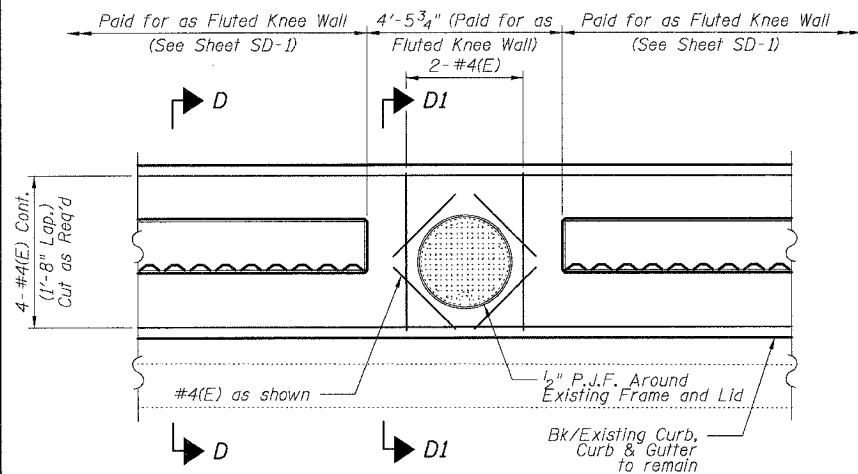


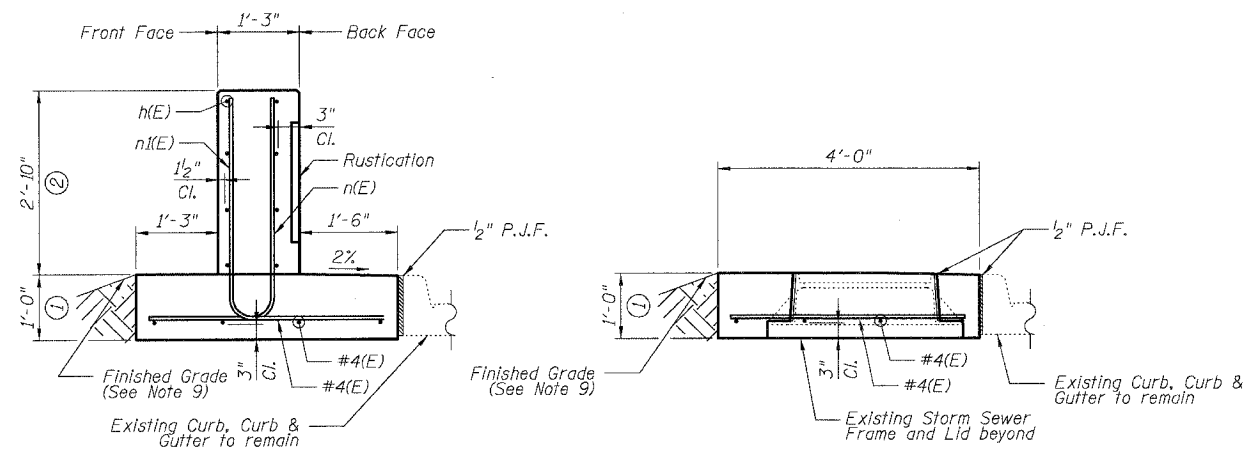
F.A.I.	SECTION	COUNTY	TOTAL SHEETS	SHEET NO.
94/90		COOK	32	18
STA.	TO STA.			
FED. ROAD DIST. NO.	ILLINOIS	FED. AID PROJECT		
62997				



DETAIL D - ELEVATION

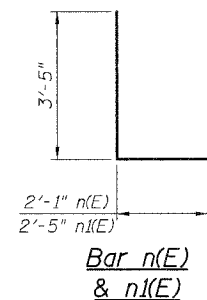


DETAIL D - PLAN



SECTION D-D

SECTION D1-D1



NOTES:

- All stations and offsets measured from S. Wentworth Ave. E.
- Back Face is face adjacent to Frontage Rd. and Front Face is face adjacent to Expressway.
- Concrete: $f'c = 3500$ psi
- Provide California Finish on top of foundation between stem and Frontage Road. See Roadway Details.
- At locations where Fluted Knee Wall abuts a rigid Structure, a 1/2" thick Preformed Expansion Joint Filler conforming to the shape of the Structure shall be installed between the Fluted Knee Wall and the Structure.
- Apply Protective Coat to top and back face of stem and top of Frontage Road side of foundation.
- For Fluted Knee Wall standard details, see Sheet SD-1
- B.F. = Back Face (Frontage Road Side)
F.F. = Front Face (Expressway Side)
E.F. = Each Face
- Shape finished grade as required to match existing conditions.
- P.J.F. included in cost of concrete structures.

BOWMAN, BARRETT & ASSOCIATES INC.
CONSULTING ENGINEERS
Chicago, Illinois
312.228.0100
www.bbainc.com

REVISIONS	
NAME	DATE

ILLINOIS DEPARTMENT OF TRANSPORTATION
F.A.I. 94/90 (DAN RYAN EXPRESSWAY)
SOUTHBOUND KNEE WALLS (ROOT ST TO PERSHING ST)

SCALE: NTS
DATE: 04/25/08

DRAWN BY: TL
CHECKED BY: BLU

SHEET SD-4

DETAIL D

4/24/2008 4:55:57 PM