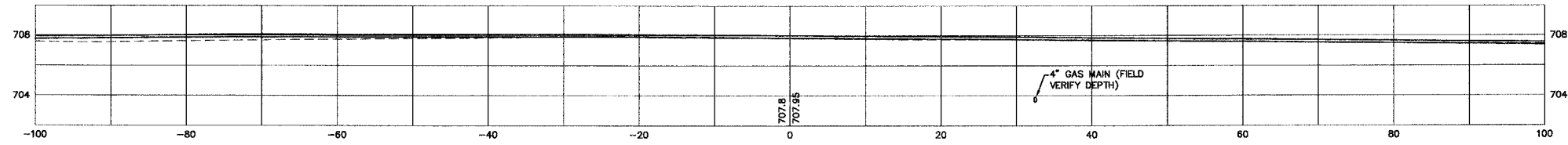


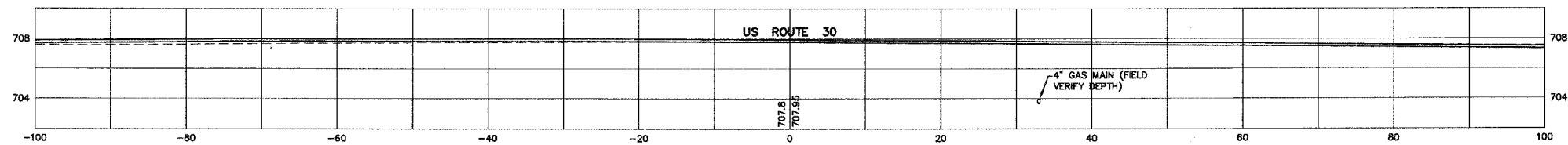


F.A. RTE.	SECTION	COUNTY	TOTAL SHEETS	SHEET NO.
N/A06-00017-00-PV		KANE	232	177
STA.		TO STA.		
FED. ROAD DIST. NO. ILLINOIS		FED. AID PROJECT		

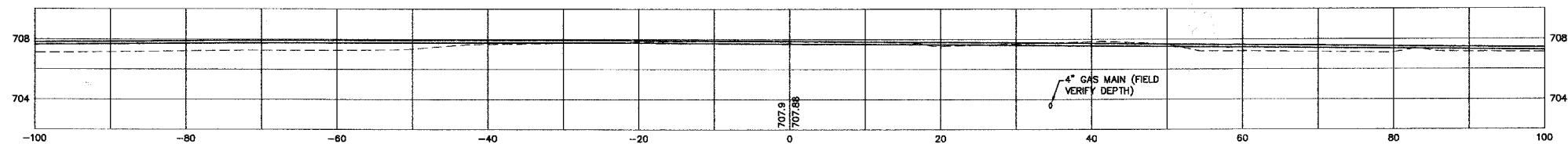
52+00 (LOCATED WITHIN US ROUTE 30 R.O.W.)



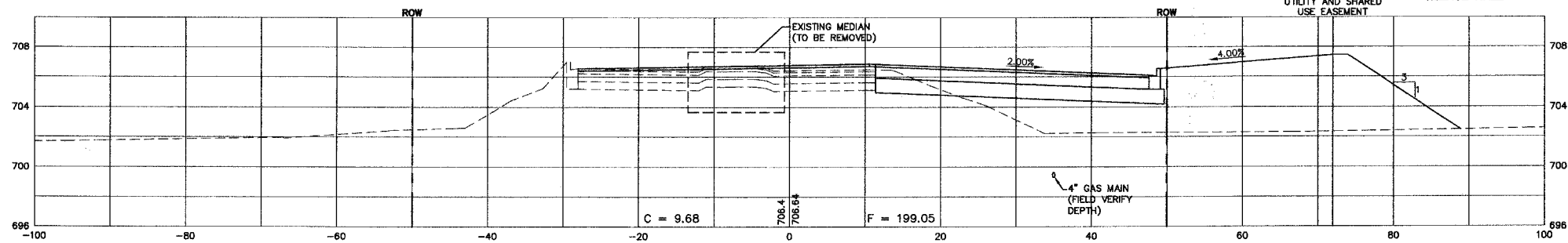
51+94.53 (CENTERLINE OF US ROUTE 30)



51+50 (LOCATED WITHIN US ROUTE 30 R.O.W.)



51+00



SCALE:
HORIZ. 1" = 10'
VERT. 1" = 5'

PLAN	SURVEYED	DATE
NOTE BOOK NO.	BY	
	PLOTTED	
	CHECKED	
	RT. OF WAY CHECKED	
	CADD FILE NAME	

PROFILE	SURVEYED	DATE
NOTE BOOK NO.	BY	
	PLOTTED	
	CHECKED	
	BEAM NOTED	
	STRUCTURE NOTATIONS CTRD	

REVISIONS	
NAME	DATE

ILLINOIS DEPARTMENT OF TRANSPORTATION

MUNICIPAL DRIVE CROSS SECTIONS

SCALE: DATE: 02/07/08

DRAWN BY: KKP
CHECKED BY: WBR