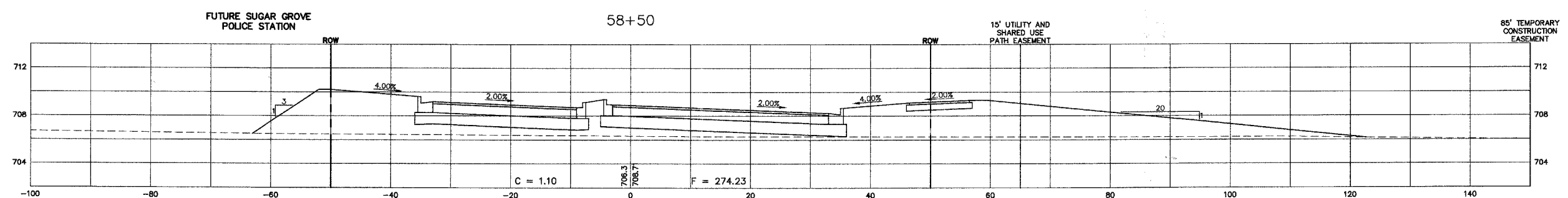
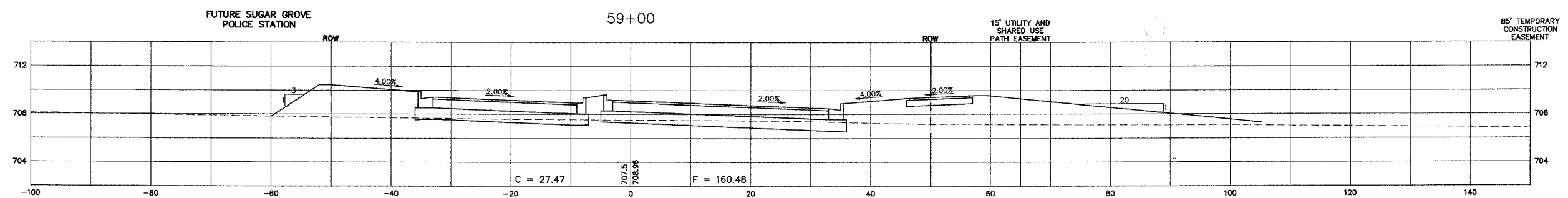
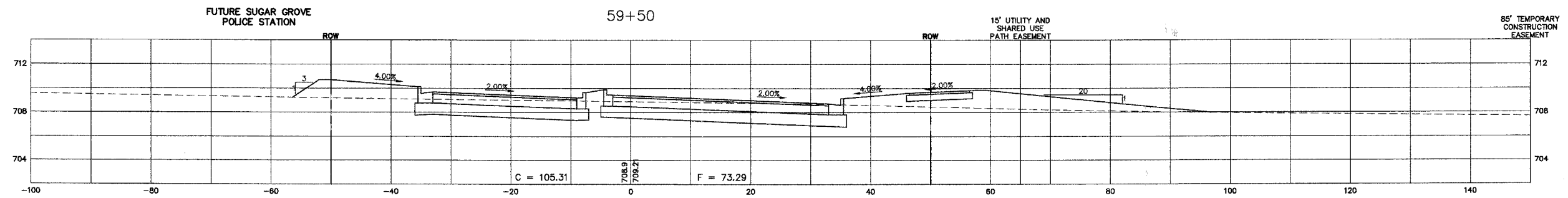
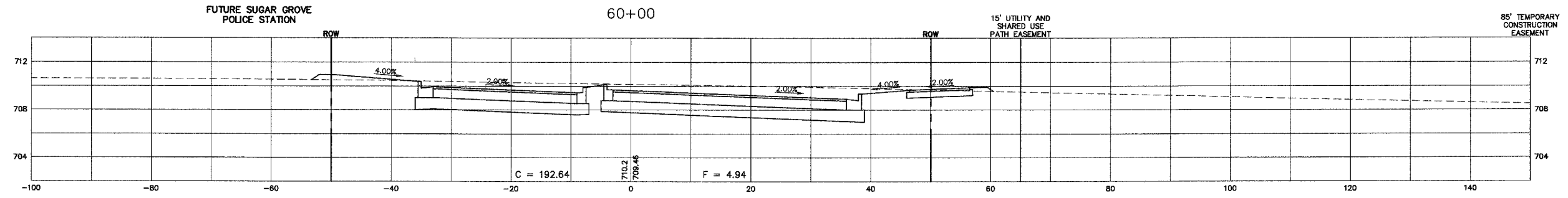




F.A. RTE.	SECTION	COUNTY	TOTAL SHEETS	SHEET NO.
N/A06-00017-00-PV		KANE	232	181
STA.	TO STA.			
FED. ROAD DIST. NO. ILLINOIS	FED. AID PROJECT			

PLAN	SURVEYED	DATE
	PLOTTED	
	RT. OF WAY CHECKED	
	CADD FILE NAME	
	NO.	

PROFILE	SURVEYED	DATE
	PLOTTED	
	BY	
	STRUCTURE NOTATIONS CHECKED	
	NO.	



SCALE:
 HORZ. 1" = 10'
 VERT. 1" = 5'

THE PROPOSED ELEVATIONS SHOWN AT THE CENTERLINE EQUALS THE PGL AT 9' LT./RT.

REVISIONS	
NAME	DATE

ILLINOIS DEPARTMENT OF TRANSPORTATION

MUNICIPAL DRIVE CROSS SECTIONS

SCALE: DATE: 02/07/08

DRAWN BY: KKP
 CHECKED BY: WBR