

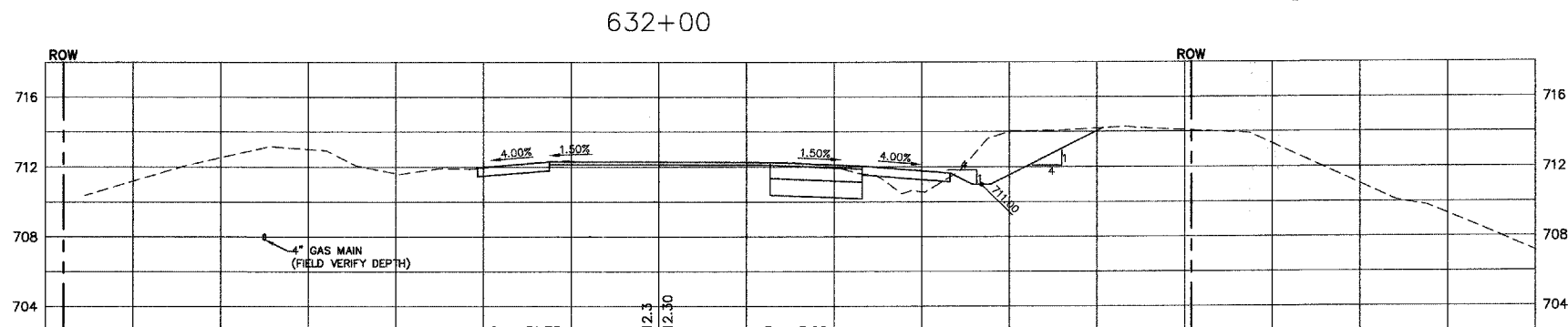
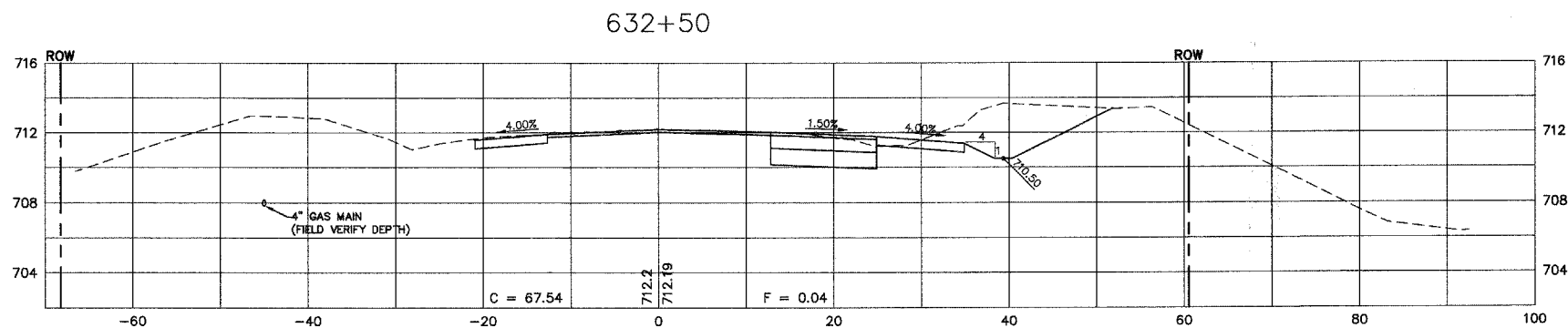
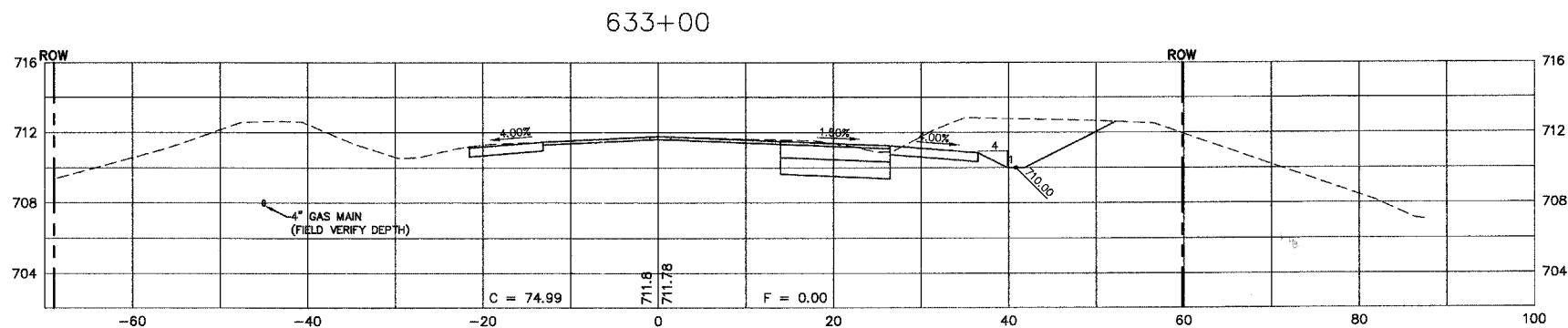


F.A. RTE.	SECTION	COUNTY	TOTAL SHEETS	SHEET NO.
N/A06-00017-00-PV		KANE	232	208
STA.		TO STA.		
FED. ROAD DIST. NO.		ILLINOIS	FED. AID PROJECT	

PLAN	SURVEYED	BY	DATE
	PLOTTED		
	ALIGNMENT CHECKED		
	NOTE BOOK NO.		
	DATE RECORDED		
	CADD FILE NAME		

PROFILE	SURVEYED	BY	DATE
	PLOTTED		
	GRADES CHECKED		
	NOTE BOOK NO.		
	STRUCTURE NOTATIONS OK'D		

Plotted: May 27, 2008 @ 4:58 PM By: Terri Seider-Johnson - Tab: 208 SECTION (22x34)



SCALE:
 HORZ. 1" = 10'
 VERT. 1" = 5'

REVISIONS	
NAME	DATE

ILLINOIS DEPARTMENT OF TRANSPORTATION

**U.S. ROUTE 30
 CROSS SECTIONS**

SCALE: DATE: 02/07/08

DRAWN BY: KKP
 CHECKED BY: WBR

Path: H:\SDS\PRD\560546\DWG\660732\016_FINAL_ENG\CONTRACT\B\B-560546-ASEC3