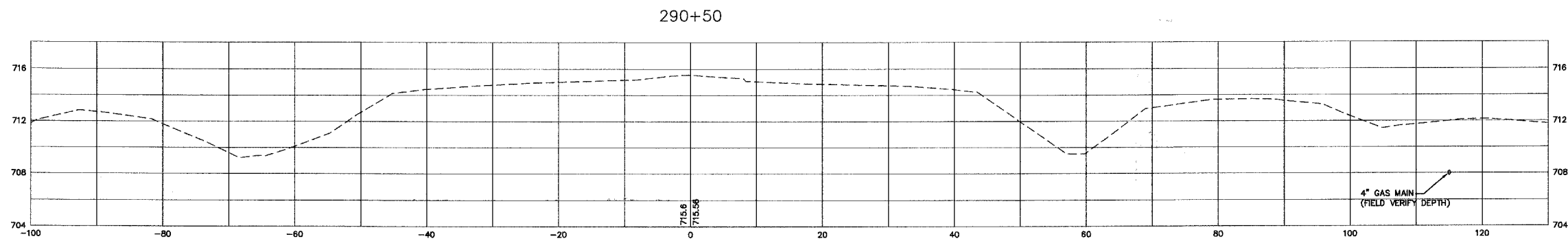
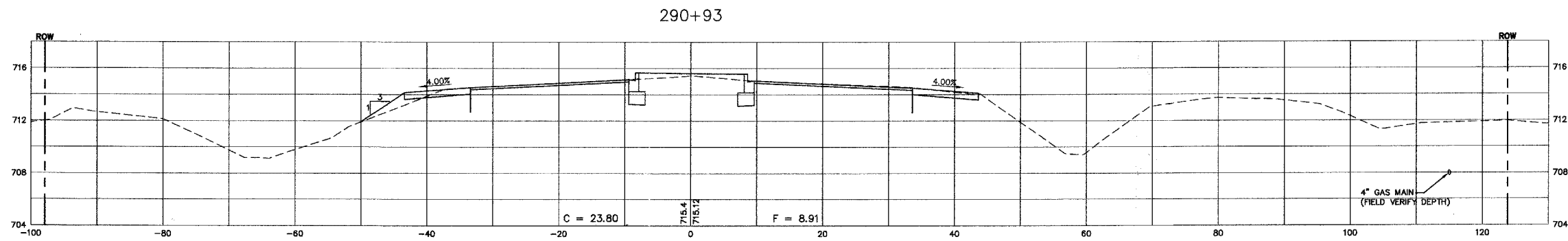
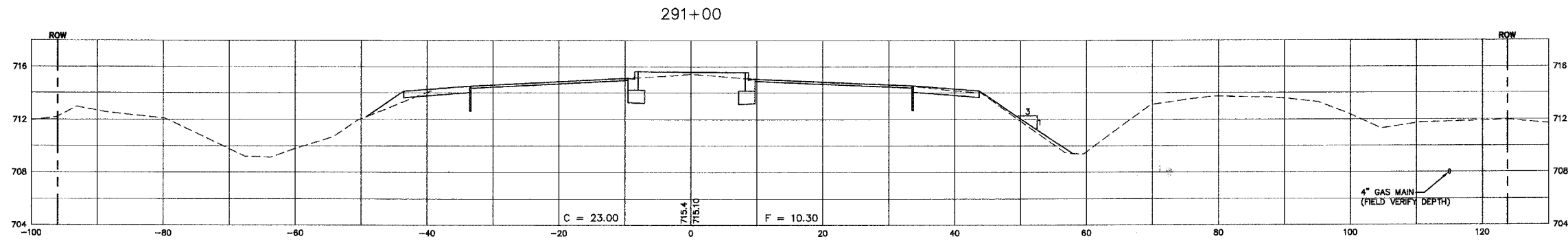




F.A. RTE.	SECTION	COUNTY	TOTAL SHEETS	SHEET NO.
N/A	D6-00017-00-PV	KANE	232	219
STA.		TO STA.		
FED. ROAD DIST. NO. ILLINOIS		FED. AID PROJECT		

PLAN	SURVEYED	DATE
NOTE BOOK NO.	PLOTTED	BY
	ALIGNMENT CHECKED	
	GRADES CHECKED	
	STRUCTURE NOTATIONS CHECKED	
	CADD FILE NAME	

PROFILE	SURVEYED	DATE
NOTE BOOK NO.	PLOTTED	BY
	GRADES CHECKED	
	STRUCTURE NOTATIONS CHECKED	



SCALE:
 HORZ. 1" = 10'
 VERT. 1" = 5'

REVISIONS	
NAME	DATE

ILLINOIS DEPARTMENT OF TRANSPORTATION

ILLINOIS ROUTE 47 CROSS SECTIONS

SCALE: DATE: 02/07/08

DRAWN BY: KKP
 CHECKED BY: WBR