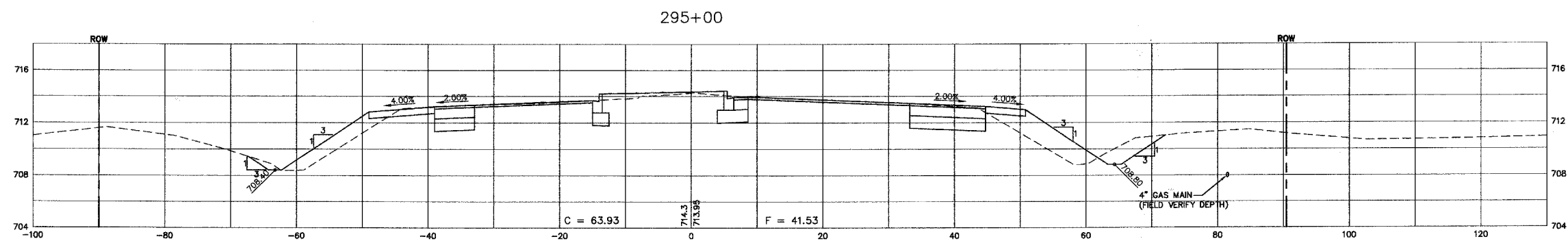
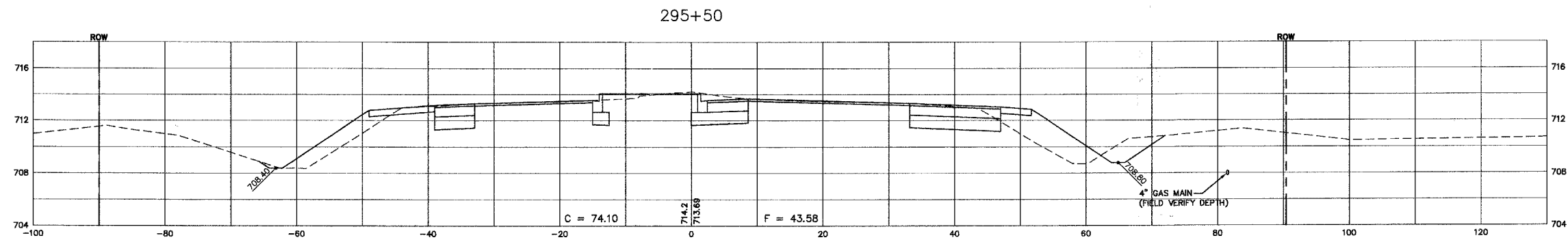
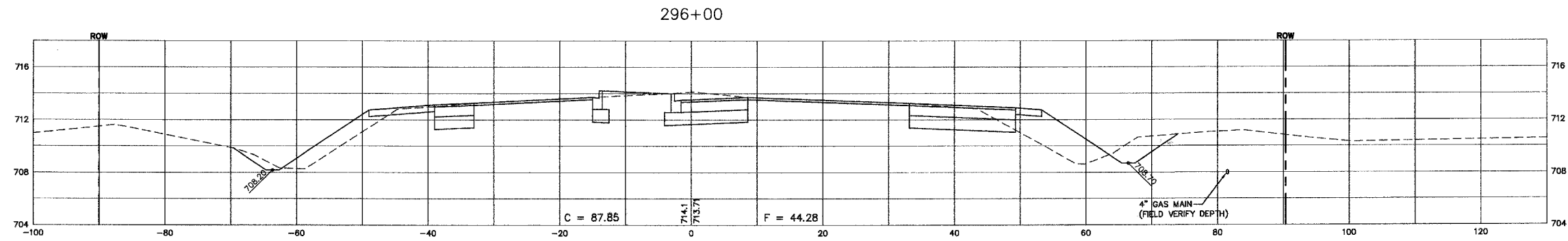




F.A. RTE.	SECTION	COUNTY	TOTAL SHEETS	SHEET NO.
N/A	06-00017-00-PV	KANE	232	222
STA.		TO STA.		
FED. ROAD DIST. NO. _ ILLINOIS		FED. AID PROJECT		

PLAN	SURVEYED	DATE
NOTE BOOK NO.	PLOTTED	BY
	REVISIONS CHECKED	
	NOTED	
	BY	
	DATE	

PROFILE	SURVEYED	DATE
NOTE BOOK NO.	PLOTTED	BY
	REVISIONS CHECKED	
	NOTED	
	BY	
	DATE	



SCALE:  
HORZ. 1" = 10'  
VERT. 1" = 5'

REVISIONS	
NAME	DATE

ILLINOIS DEPARTMENT OF TRANSPORTATION

## ILLINOIS ROUTE 47 CROSS SECTIONS

SCALE: DATE: 02/07/08

DRAWN BY: KKP  
CHECKED BY: WBR