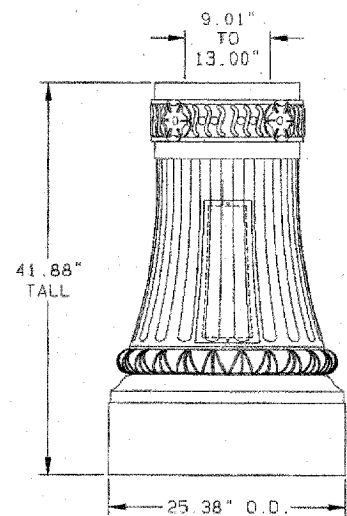
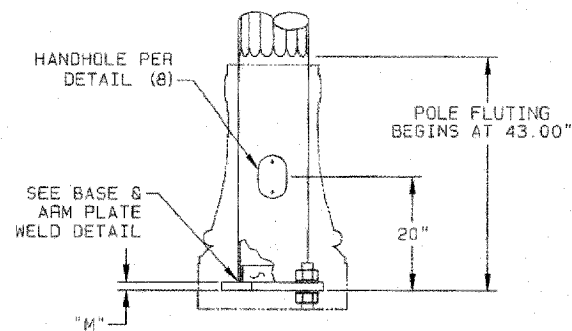


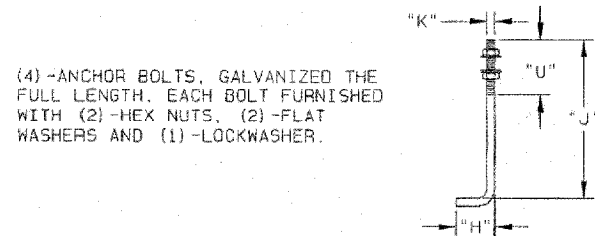
DATE _____
 BY _____
 SURVEYED _____
 PLOTTED _____
 CHECKED _____
 REVISIONS _____
 NO. _____
 PLAN _____
 NOTE BOOK _____
 NO. _____
 CADD FILE NAME _____



DETAIL 9 HN25AB DECORATIVE BASE



DETAIL 10 HN25AB POLE BASE



DETAIL 11 ANCHOR BOLT

NOTES:

- POLE AND ARM SHAFTS 13.00" AND SMALLER-CONFORMS TO ASTM DESIGNATION: A595 GR. A WITH 55,000 P.S.I. MINIMUM YIELD STRENGTH. LINEAR TAPER-0.14"/FT. POLE AND ARM SHAFTS LARGER THAN 13.00"-CONFORMS TO ASTM DESIGNATION: M-223 A572 GR. 65 WITH A 65,000 P.S.I. MINIMUM YIELD STRENGTH. LINEAR TAPER-0.14"/FT.
- BASE PLATE AND SIMPLEX PLATES-CONFORM TO AASHTO M-183 (ASTM: A36)
- ANCHOR BOLTS-ALL STRUCTURES: ASTM F1554 GR.55 55,000 P.S.I. MINIMUM YIELD STRENGTH. (AASHTO M314)
- TRAFFIC SIGNAL ARM END CAP SECURED IN PLACE WITH 3 STAINLESS STEEL SET SCREWS. (TRAFFIC SIGNAL ARM END CAP PROVIDED WITH (2) ADDITIONAL STAINLESS STEEL HEX BOLTS)
- ALL NON-STAINLESS THREADED FASTENERS TO BE HOT DIP GALVANIZED TO ASTM DESIGNATION: A153 (AASHTO M232).
- SIMPLEX CONNECTING BOLTS-ASTM DESIGNATION: A325 (M164) GALVANIZED TO ASTM DESIGNATION: A153 LUBRICATE THREADS IN FIELD IF NECESSARY BEFORE INSTALLATION.
- ALL VEHICULAR AND/OR PEDESTRIAN SIGNAL LIGHTS AND NECESSARY HARDWARE FOR ATTACHMENT TO BE FIELD LOCATED AND FURNISHED BY OTHERS
- POLES AND ARMS TO BE GALVANIZED TO ASTM DESIGNATION: A123 (AASHTO M111). ACCESSORIES TO BE HOT DIP GALVANIZED TO ASTM DESIGNATION: A153 (AASHTO M232).
- ACCESS HOLES IN ARMS AT SIGNALS TO BE FIELD DRILLED BY CONTRACTOR-LOCATED AS SHOWN IN PLANS.
- LUMINAIRE ARM SHAFT CONFORMS TO 2" SCHEDULE 40 PIPE W/ 36,000 PSI MIN. YIELD STRENGTH.
- SHAFT GAUGE OR THICKNESS ARE AS FOLLOWS: 11 GA.= 0.1196", 7 GA.= 0.1793", 5 GA.= 0.2092", 3 GA.=0.2391", AND 2" SCHED.40 PIPE = 0.154".

LOADING AND ALLOWABLE STRESS CRITERIA: 1994 AASHTO "STANDARD SPECIFICATIONS FOR STRUCTURAL SUPPORTS FOR SIGNS, LUMINAIRES AND TRAFFIC SIGNALS".

STATE OF ILLINOIS

GENERAL NOTES

POLE AND SIGNAL ARM DATA - OPTION 1

POLE TUBE				POLE BASE				ANCHOR BOLT				SIGNAL ARM TUBE			MAXIMUM LUMINAIRE ARM SPAN (FT)
BASE DIA. (IN)	TOP DIA. (IN)	LENGTH (FT)	GAUGE OR THK. (IN)	SQUARE "S" (IN)	BOLT CIRCLE "Y" (IN)	THK. "M" (IN)	HOLE / SLOT "Z" (IN)	DIA. "K" (IN)	LENGTH "J" (IN)	HOOK "H" (IN)	THREAD LENGTH "U" (IN)	FIXED END DIA. (IN)	GAUGE OR THICK (IN)	SPAN (FT)	
12.50	8.65	27.50	5	17.00	17.00	1.50	1.75	1.50	54.00	6.00	8.00	9.00	7	20.00	8.00

POLE AND SIGNAL ARM DATA - OPTION 2

POLE TUBE				POLE BASE				ANCHOR BOLT				SIGNAL ARM TUBE			MAXIMUM LUMINAIRE ARM SPAN (FT)
BASE DIA. (IN)	TOP DIA. (IN)	LENGTH (FT)	GAUGE OR THK. (IN)	SQUARE "S" (IN)	BOLT CIRCLE "Y" (IN)	THK. "M" (IN)	HOLE / SLOT "Z" (IN)	DIA. "K" (IN)	LENGTH "J" (IN)	HOOK "H" (IN)	THREAD LENGTH "U" (IN)	FIXED END DIA. (IN)	GAUGE OR THICK (IN)	SPAN (FT)	
12.50	8.65	27.50	5	17.00	17.00	1.50	1.75	1.50	54.00	6.00	8.00	8.00	7	20.00	8.00

DATE _____
 BY _____
 SURVEYED _____
 PLOTTED _____
 CHECKED _____
 REVISIONS _____
 NO. _____
 PROFILE _____
 NOTE BOOK _____
 NO. _____
 STRUCTURE NOTATIONS OFFD _____

FILE NAME = ...trans\fin_dwg\690_7.dwt02.dgn

USER NAME = #USER#
 PLOT SCALE = #SCALE#
 PLOT DATE = 6/4/2008

DESIGNED -
 DRAWN BAH
 CHECKED APS
 DATE -

REVISED -
 REVISED -
 REVISED -
 REVISED -

STATE OF ILLINOIS
 DEPARTMENT OF TRANSPORTATION

SCALE: SHEET NO. OF SHEETS STA. TO STA.

VALMONT INDUSTRIES, INC. RESERVES THE RIGHT TO INSTALL VARIOUS ENGINEER APPROVED MATERIAL HANGING ACCOMMODATIONS TO FACILITATE THE MANUFACTURING PROCESS.



Valley, NE 68064
 (402) 359-2201

ORDER NUMBER: 42203-07

PAGE NUMBER: 2 OF 2

DRAWING NUMBER REV

IL4220307

F.A. RTE.	SECTION	COUNTY	TOTAL SHEETS	SHEET NO.
	08-00273-00-TL	KANE	30	28
FED. ROAD DIST. NO. ILLINOIS FED. AID PROJECT			CONTRACT NO. 63053	