

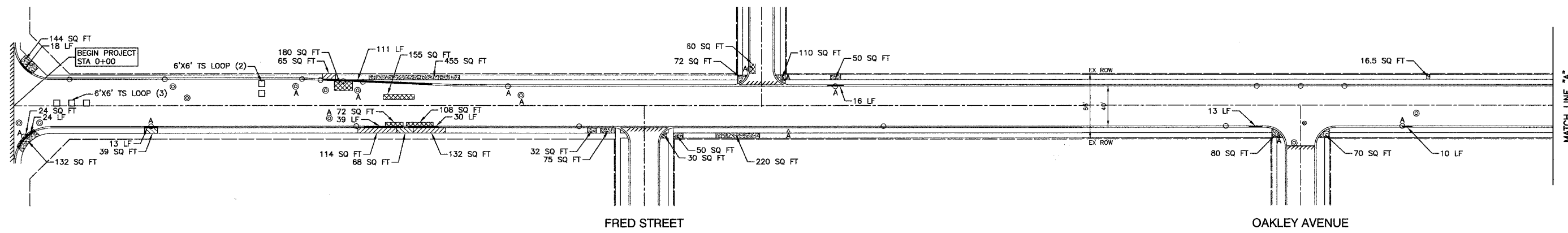
F. A. U. NO.	SECTION	COUNTY	TOTAL SHEETS	SHEET NO.
1621	08-00184-00-RS	COOK	11	04
STA.		TO STA.		
FED. ROAD DIST. NO.	BLINDS	FED. RD PROJECT		

CONTRACT #63054



TORRENCE AVENUE

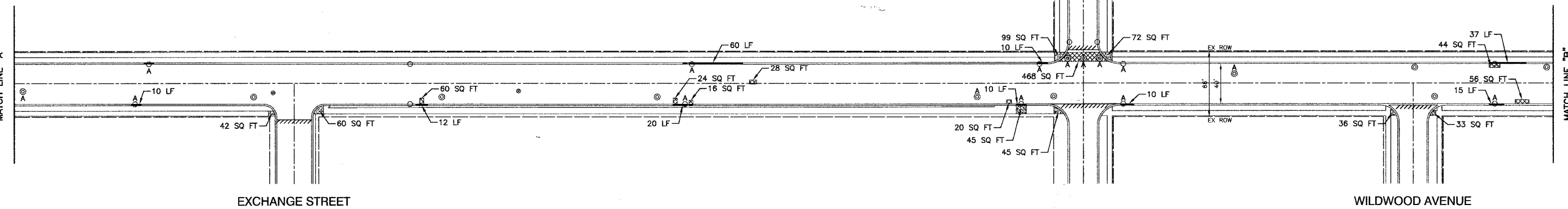
GLEN OAK TERRACE



FRED STREET

OAKLEY AVENUE

SCHOOL STREET



EXCHANGE STREET

WILDWOOD AVENUE

LEGEND

- | | | | |
|--|--|--|--------------------------|
| | CLASS D PATCHES | | EXISTING BBOX |
| | HOT-MIX ASPHALT DRIVEWAY REMOVAL & REPLACEMENT | | EXISTING MANHOLE |
| | CONCRETE SIDEWALK REMOVAL & REPLACEMENT | | EXISTING WATER/GAS VALVE |
| | CONCRETE DRIVEWAY REMOVAL & REPLACEMENT | | EXISTING CATCH BASIN |
| | DECORATIVE CONCRETE SIDEWALK REMOVAL & REPLACEMENT | | |
| | CONCRETE CURB AND GUTTER REMOVAL AND REPLACEMENT | | |
| | STRUCTURE TO BE ADJUSTED | | |
| | STRUCTURE TO BE RECONSTRUCTED | | |
| | STRUCTURE TO BE REMOVED AND REPLACED | | |
| | HOT-MIX ASPHALT SURFACE REMOVAL - BUTT JOINT | | |
| | DECORATIVE STAMPED HOT-MIX ASPHALT CROSSWALK | | |

REVISIONS	
NAME	DATE

ILLINOIS DEPARTMENT OF TRANSPORTATION

**RIDGE ROAD
STREET RESURFACING
BEGIN IMPROVEMENT TO MATCHLINE "B"**

SCALE: VERT. NA
HORIZ. 1"=50'
DATE 05/07/08

DRAWN BY JZ
CHECKED BY JP

ROBINSON ENGINEERING, LTD.
17000 SOUTH PARK AVENUE, SOUTH HOLLAND, ILLINOIS 60470
(708) 381-6700 FAX (708) 381-3668
ILLINOIS DESIGN FIRM REGISTRATION NO. 194001208

08161-PLAN-01