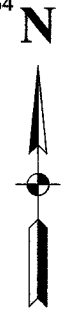


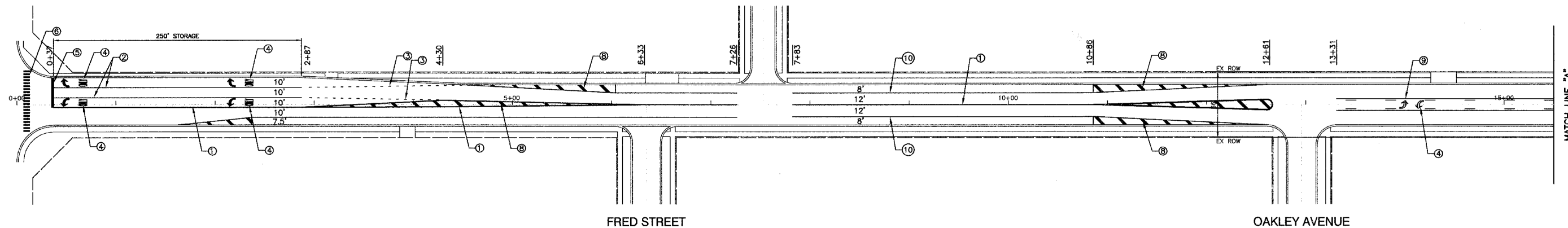
F. A. D. NO.	SECTION	COUNTY	TOTAL SHEETS	SHEET NO.
1621	08-00184-00-RS	COOK	11	07
STA.	TO STA.			
FED. ROAD DIST. NO.	LINE NO.	FED. AID PROJECT		

CONTRACT #63054



TORRENCE AVENUE

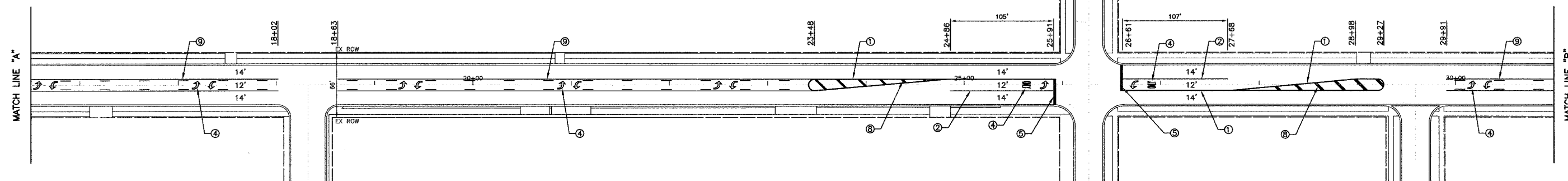
GLEN OAK TERRACE



FRED STREET

OAKLEY AVENUE

SCHOOL STREET



EXCHANGE STREET

WILDWOOD AVENUE

STRIPING LEGEND

- ① THERMOPLASTIC PAVEMENT MARKING - LINE 4" (DOUBLE YELLOW)
- ② THERMOPLASTIC PAVEMENT MARKING - LINE 6" (WHITE TURN LANE)
- ③ THERMOPLASTIC PAVEMENT MARKING - LINE 6" (WHITE TURN LANE SKIP DASH, 2' DASH, 6' SKIP)
- ④ THERMOPLASTIC PAVEMENT MARKING - LETTERS AND SYMBOLS
- ⑤ THERMOPLASTIC PAVEMENT MARKING - LINE 24" (WHITE STOP BAR)
- ⑥ THERMOPLASTIC PAVEMENT MARKING - LINE 12" (WHITE CROSSWALK)
- ⑦ THERMOPLASTIC PAVEMENT MARKING - LINE 4" (WHITE LANE LINE, 10' LINE, 30' SKIP)
- ⑧ THERMOPLASTIC PAVEMENT MARKING - LINE 12" (WHITE DIAGONAL, 20' C-C)
- ⑨ THERMOPLASTIC PAVEMENT MARKING - LINES 4" (YELLOW LANE LINES, 5 1/2" C-C WITH SKIP DASH LINE, 10' LINE, 30' SKIP)
- ⑩ THERMOPLASTIC PAVEMENT MARKING - LINE 4" (WHITE PARKING LINE)

REVISIONS	
NAME	DATE

ILLINOIS DEPARTMENT OF TRANSPORTATION

**RIDGE ROAD
STREET RESURFACING
PAVEMENT MARKING PLANS
BEGIN IMPROVEMENT TO MATCHLINE "B"**

SCALE: VERT. NA
HORIZ. 1"=50'
DATE 05/07/08

DRAWN BY JZ
CHECKED BY JP

ROBINSON ENGINEERING, LTD.
1100 SOUTH PARK AVENUE, SOUTH HAVEN, ILLINOIS 60473
(708) 231-6770 FAX (708) 231-2828
ILLINOIS DESIGN FIRM REGISTRATION NO. 198021108 08161-PRMK-018