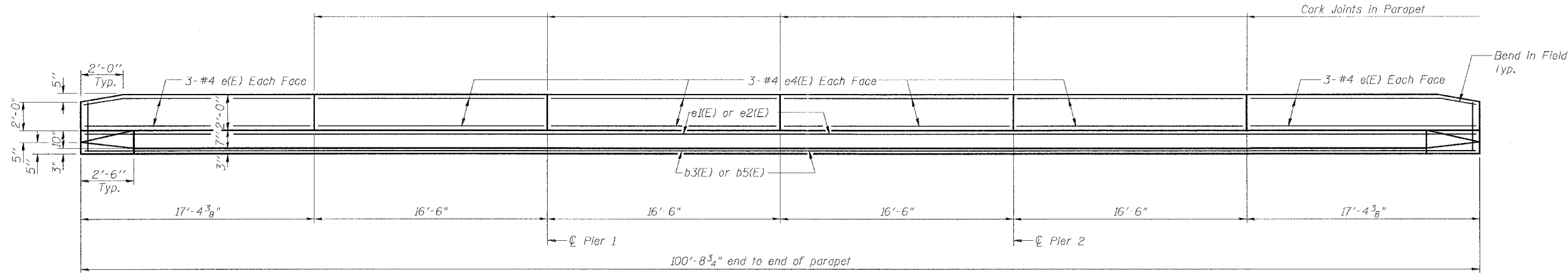
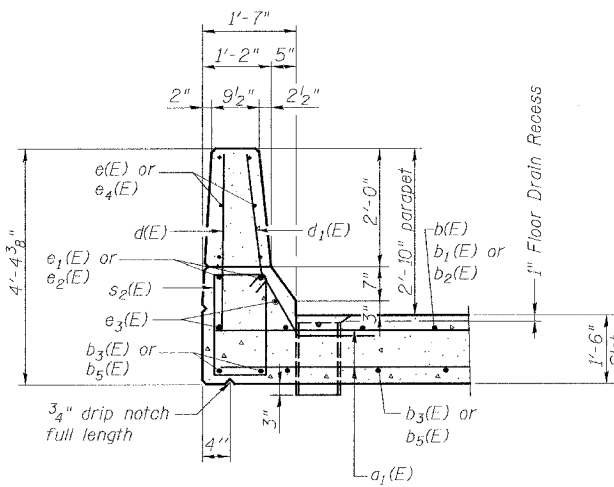


STATE OF ILLINOIS  
DEPARTMENT OF TRANSPORTATION

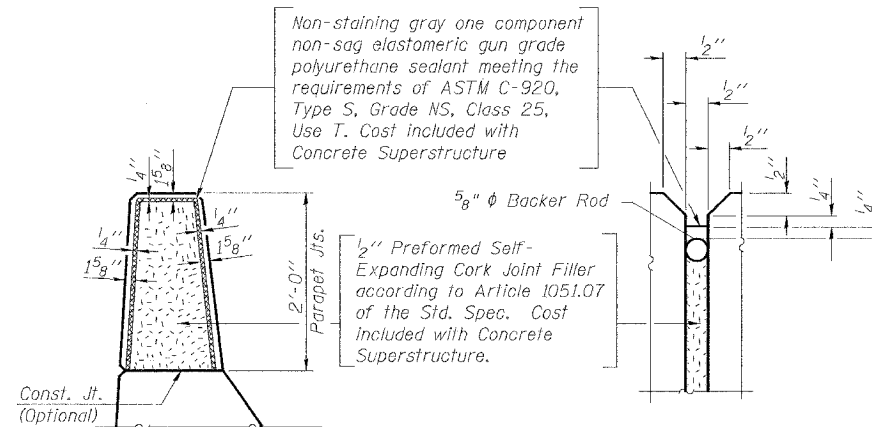
SHEET #6 OF 11 SHEETS	ROUTE NO. FAS 203	SECTION 11BR-1	COUNTY WHITESIDE & ROCK ISLAND	POST MILE 17	SHEET NO. 43
FED. ROAD DIST. NO. 3			ILLINOIS FED. AID PROJECT-		
CONTRACT #64939					



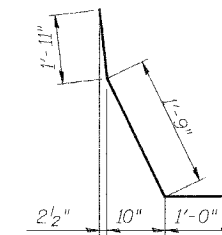
INSIDE ELEVATION OF PARAPET



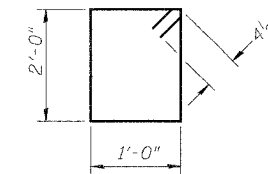
SECTION THRU PARAPET



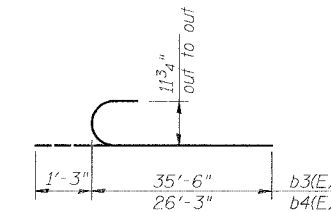
PARAPET JOINT DETAILS



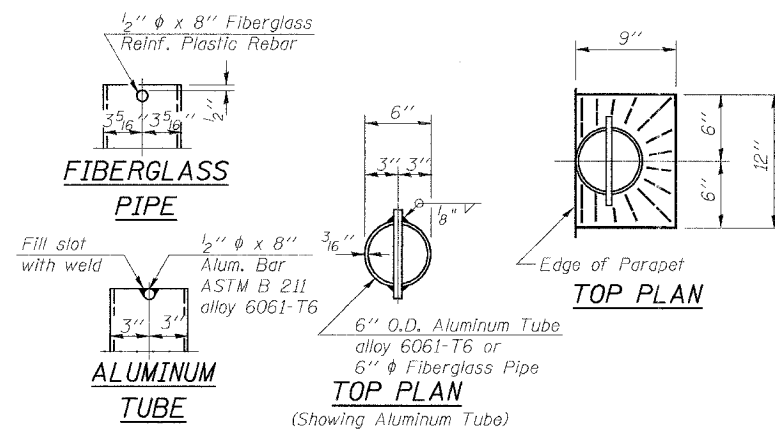
BAR d1(E)



BAR s2(E)



BAR b3(E) and b4(E)



FLOOR DRAINS

Notes:

Fiberglass pipe shall conform to ASTM D 2996, with short-time rupture strength hoop tensile stress of 30,000 p.s.i. minimum.  
The exterior surfaces of the floor drains shall be coated or pigmented by the manufacturer with a color that matches the concrete

SUPERSTRUCTURE  
BILL OF MATERIAL

Bar	No.	Size	Length	Shape
d(E)	8	#5	40'-2"	—
a1(E)	165	#5	34'-10"	—
b(E)	58	#5	16'-8"	—
b1(E)	58	#9	37'-11"	—
b2(E)	56	#9	15'-9"	—
b3(E)	54	#9	36'-9"	—
b4(E)	44	#9	27'-6"	—
b5(E)	27	#7	36'-6"	—
b6(E)	22	#7	21'-0"	—
d(E)	204	#4	3'-0"	—
d1(E)	222	#5	4'-8"	—
e(E)	24	#4	17'-0"	—
e1(E)	8	#8	18'-9"	—
e2(E)	8	#8	37'-5"	—
e3(E)	16	#5	26'-6"	—
e4(E)	48	#4	16'-2"	—
s(E)	72	#5	6'-0"	—
s1(E)	72	#5	7'-4"	—
s2(E)	204	#4	6'-9"	—
Reinforcement Bars, Epoxy Coated		Pound	37480	
Concrete Superstructure		Cu. Yds.	228.8	

Reinforcement bars designated (E) shall be epoxy coated.  
Bars indicated thus 1 x 4 - #5 etc. indicates 1 line of bars with 4 lengths per line.

SUPERSTRUCTURE DETAILS  
FAS ROUTE 203 (MOLINE ROAD)  
OVER MEREDOSIA DITCH  
SECTION 11BR-1  
STA. 428+20.80  
WHITESIDE & ROCK ISLAND COUNTIES  
SN 098-0111

DESIGNED	KCM
CHECKED	TMM
DRAWN	JLM
CHECKED	TMM