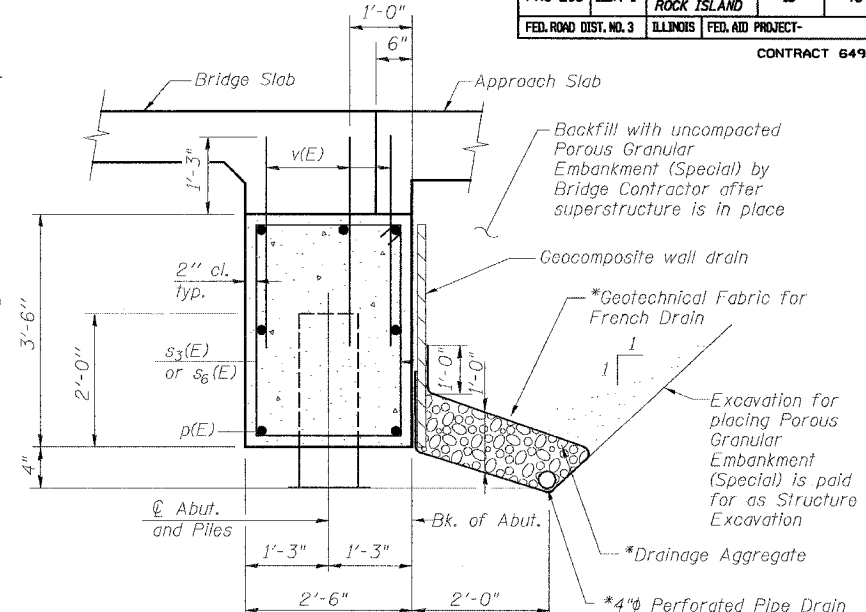
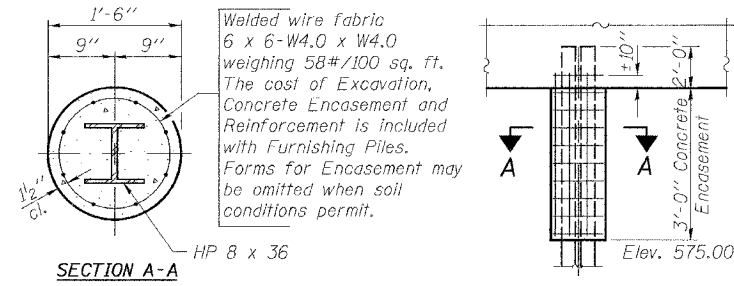
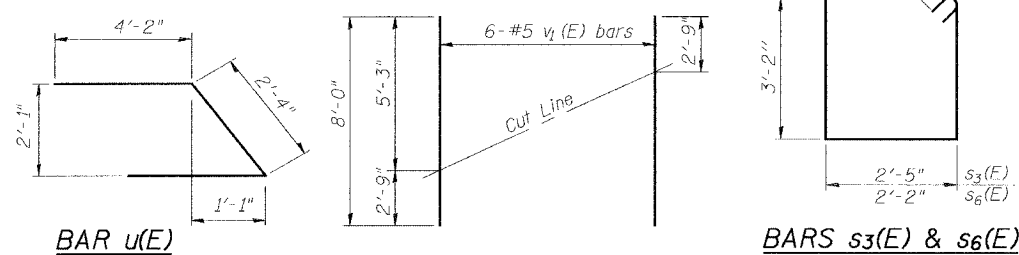


STATE OF ILLINOIS
DEPARTMENT OF TRANSPORTATION

SHEET #7 OF 11 SHEETS		ROUTE NO.	SECTION	COUNTY	TOWNSHIP	RANGE	SHEET
		FAS 203	11BR-1	WHITESIDE & ROCK ISLAND	18	43	
		FED. ROAD DIST. NO. 3	ILLINOIS	FED. AID PROJECT-			

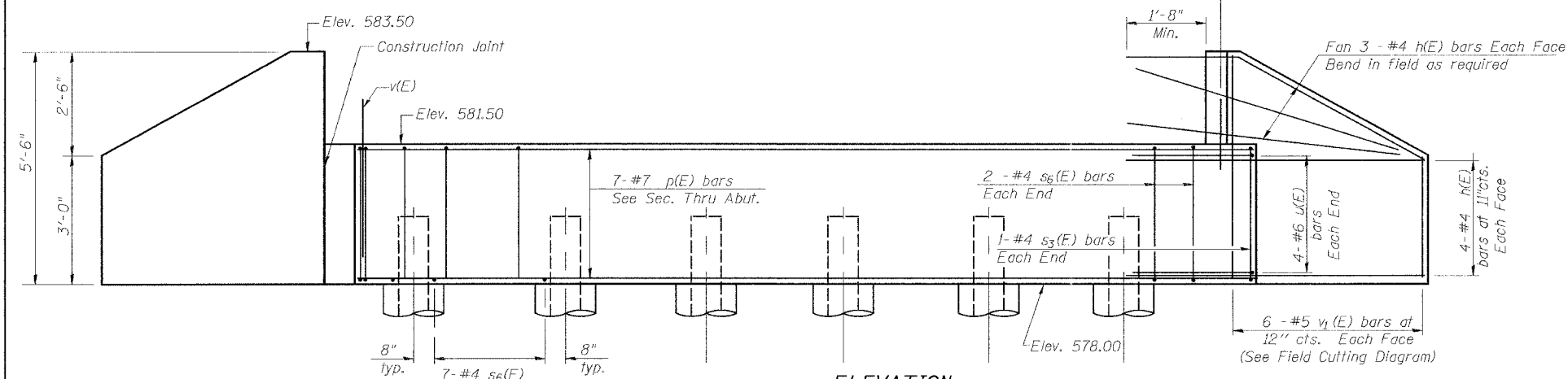
CONTRACT 64939



*Included in the cost of Pipe Underdrains for Structures.

All drainage system components shall extend to 2'-0" from the end of each wingwall except an outlet pipe shall extend until intersecting with the side slopes. The pipes shall drain into concrete headwalls. (See Article 601.05 of the Standard Specifications and Highway Standard 601101)

SEC. THRU ABUT.



BILL OF MATERIAL FOR WEST ABUTMENT

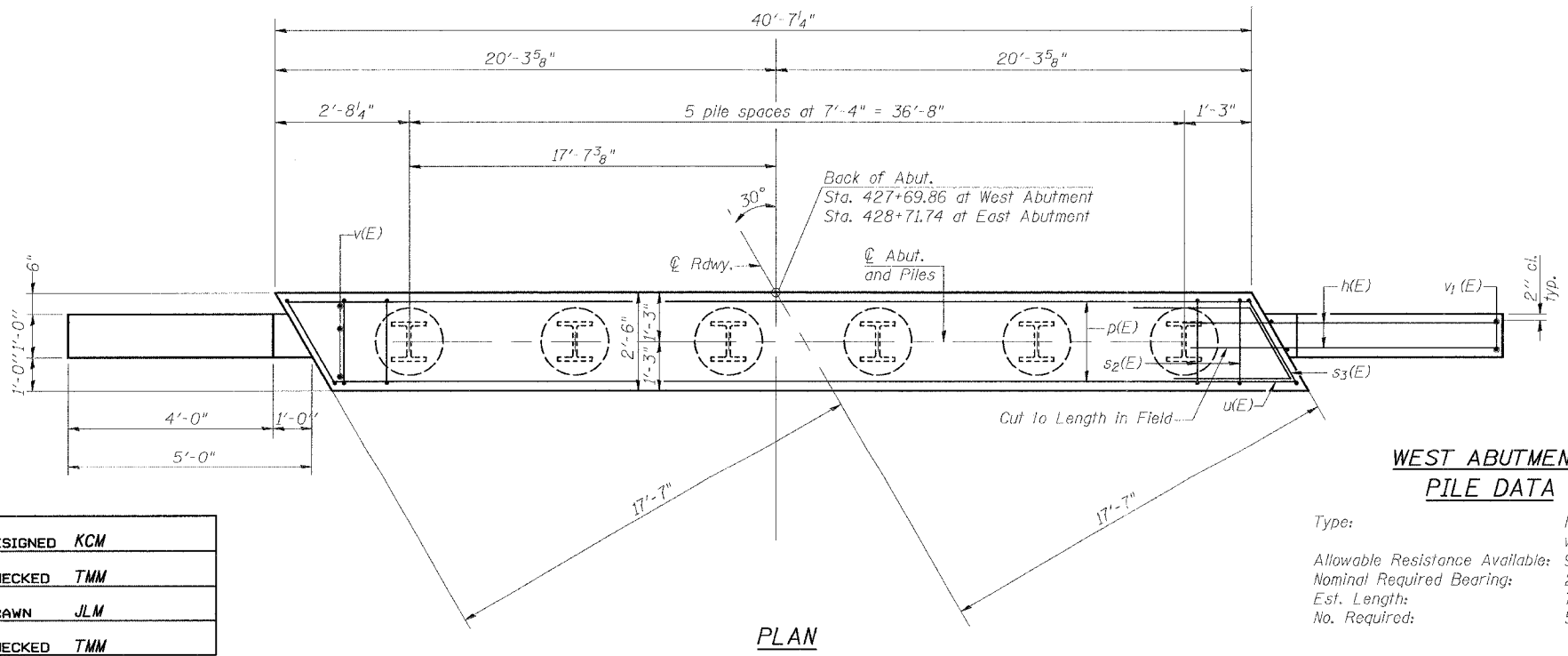
Bar	No.	Size	Length	Shape
h(E)	28	#4	7'-5"	—
p(E)	7	#7	40'-3"	—
s ₃ (E)	2	#4	11'-11"	□
s ₆ (E)	39	#4	11'-5"	□
u(E)	8	#6	10'-8"	∇
v(E)	119	#5	2'-9"	—
v ₁ (E)	12	#5	8'-0"	—
Structure Excavation		Cu. Yd.	45.5	
Concrete Structures		Cu. Yd.	14.7	
Reinforcement Bars, Epoxy Coated		Pound	1610	
Furnishing Steel Piles HP 8x36		Foot	365	
Driving Piles		Foot	365	
Test Pile Steel HP 8x36		Each	1	
Pile Shoes		Each	6	

Reinforcement Bars designated (E) shall be epoxy coated.

BILL OF MATERIAL FOR EAST ABUTMENT

Bar	No.	Size	Length	Shape
h(E)	28	#4	7'-5"	—
p(E)	7	#7	40'-3"	—
s ₃ (E)	2	#4	11'-11"	□
s ₆ (E)	39	#4	11'-5"	□
u(E)	8	#6	10'-8"	∇
v(E)	119	#5	2'-9"	—
v ₁ (E)	12	#5	8'-0"	—
Structure Excavation		Cu. Yd.	45.5	
Concrete Structures		Cu. Yd.	14.7	
Reinforcement Bars, Epoxy Coated		Pound	1610	
Furnishing Steel Piles HP 8x36		Foot	186	
Driving Piles		Foot	186	
Pile Shoes		Each	6	

Reinforcement Bars designated (E) shall be epoxy coated.



WEST ABUTMENT PILE DATA

Type: HP 8 x 36 w/ Pile Shoes
Allowable Resistance Available: 92 Kips
Nominal Required Bearing: 286 Kips
Est. Length: 73 ft.
No. Required: 5 + 1 Test Pile

EAST ABUTMENT PILE DATA

Type: HP 8 x 36 w/ Pile Shoes
Allowable Resistance Available: 92 Kips
Nominal Required Bearing: 286 Kips
Est. Length: 31 ft.
No. Required: 6

PILE BENT ABUTMENT
FAS ROUTE 203 (MOLINE ROAD)
OVER MEREDOSIA DITCH
SECTION 11BR-1
STA. 428+20.80
WHITESIDE & ROCK ISLAND COUNTIES
SN 098-0111

DESIGNED	KCM
CHECKED	TMM
DRAWN	JLM
CHECKED	TMM