
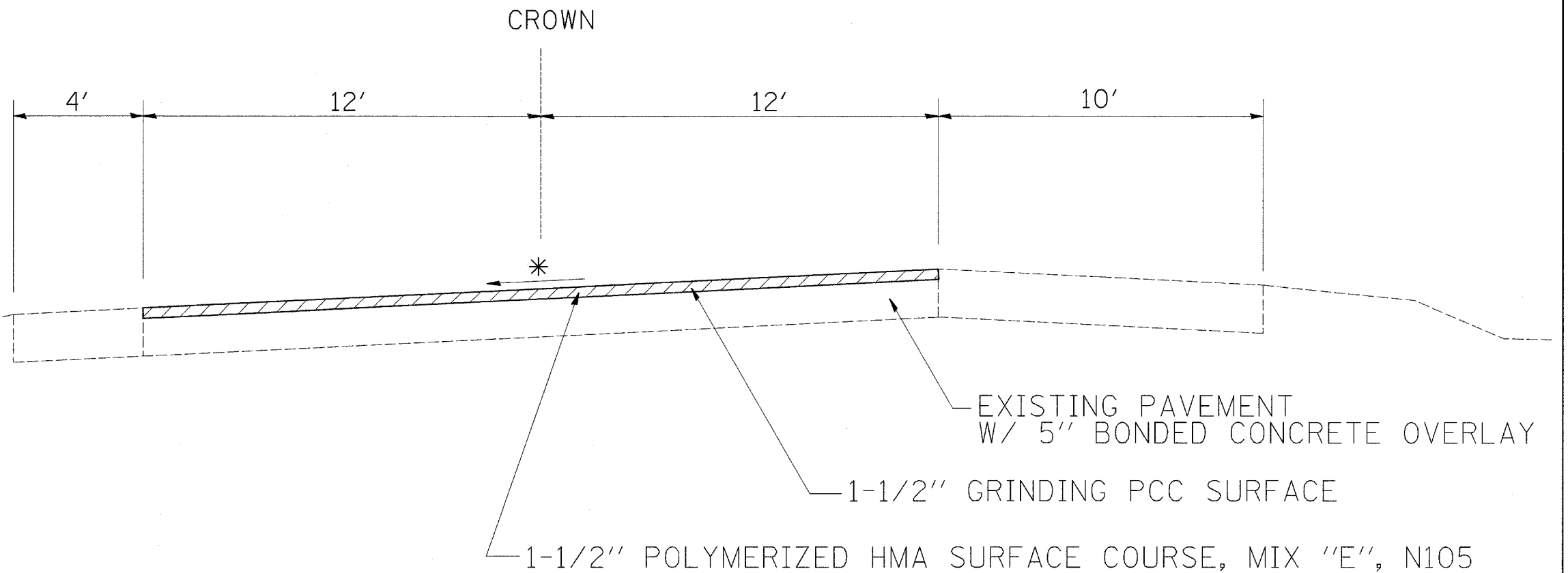


TYPICAL SECTION

STA 89+25 TO 92+00

I-80




EXISTING PAVEMENT
 W/ 5" BONDED CONCRETE OVERLAY

1-1/2" GRINDING PCC SURFACE

1-1/2" POLYMERIZED HMA SURFACE COURSE, MIX "E", N105

BITUMINOUS APPLICATION RATES

SURFACE MIXTURES: 119 LB/SY-IN
 OTHER BITUMINOUS MIXTURES: 112 LB/SY-IN
 BITUMINOUS MATERIAL (PRIME COAT): 0.000286 TON/SY
 AGGREGATE (PRIME COAT): 0.0015 TON/SY

* MAINTAIN EXISTING X-SLOPE
 X-SLOPE DESIRED 3/16 "/FT. MINIMUM 1/8 "/FT.

* D2 SPRING PATCHING 2007-2

FILE NAME = P:\1-80 resurf.dgn	USER NAME = grantpm	DESIGNED -	REVISED -	STATE OF ILLINOIS DEPARTMENT OF TRANSPORTATION	TYPICAL SECTIONS				F.A.I. RTE. 80	SECTION *	COUNTY ROCK ISLAND	TOTAL SHEETS 31	SHEET NO. 7
	PLOT SCALE = 50.000' / IN.	DRAWN -	REVISED -		SCALE:	SHEET NO.	OF	SHEETS	STA.	TO STA.	CONTRACT NO. 64034		
	PLOT DATE = Thu May 15 11:03:20 2008	CHECKED -	REVISED -		FED. ROAD DIST. NO. ILLINOIS FED. AID PROJECT								
		DATE -	REVISED -										