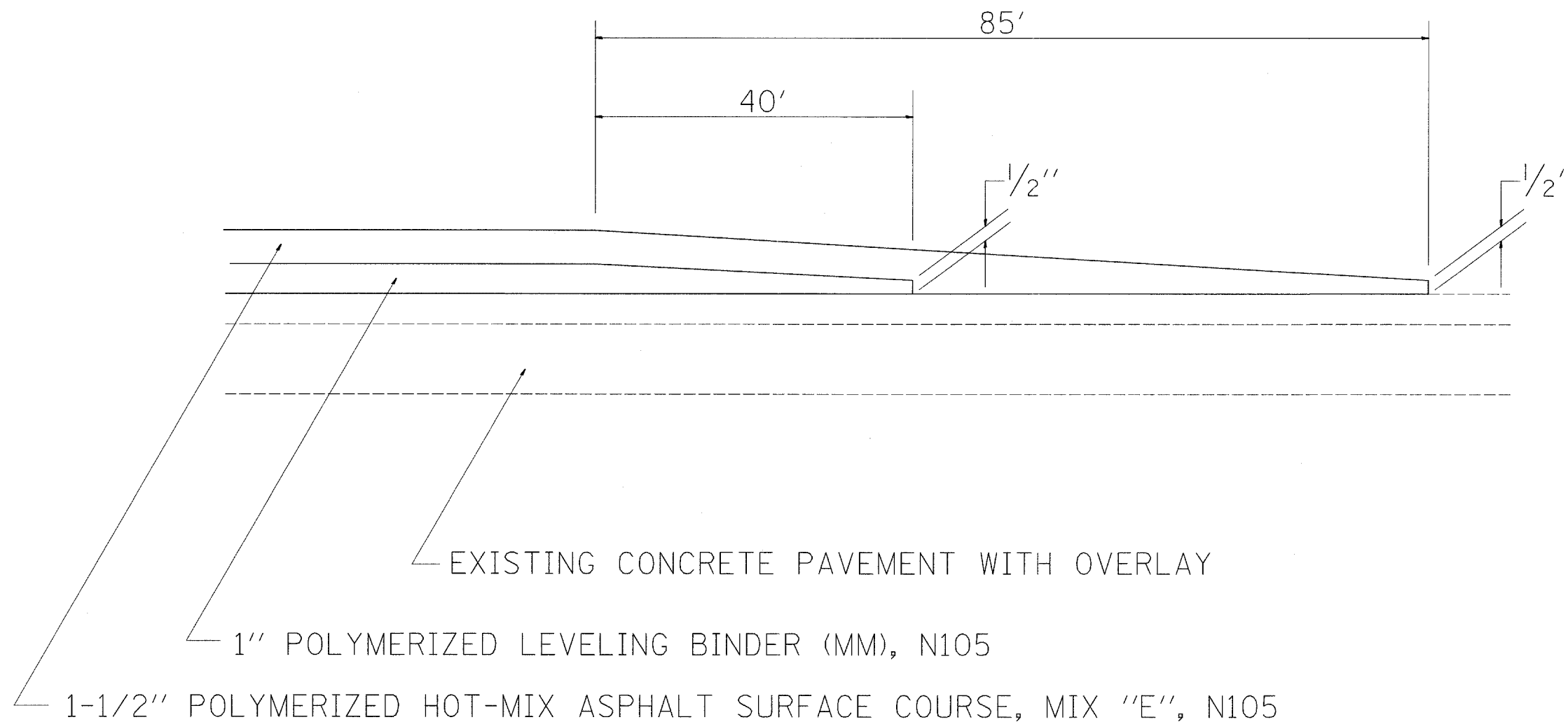


TYPICAL TAPER

STA 130+49.24 TO 131+35.67

(WEIGH SCALE EXIT)



BITUMINOUS APPLICATION RATES

SURFACE MIXTURES: 119 LB/SY-IN
 OTHER BITUMINOUS MIXTURES: 112 LB/SY-IN
 BITUMINOUS MATERIAL (PRIME COAT): 0.000286 TON/SY
 AGGREGATE (PRIME COAT): 0.0015 TON/SY

• D2 SPRING PATCHING 2007-2

FILE NAME = P:\1-88 resurfavn.dgn	USER NAME = grantpm	DESIGNED -	REVISED -	STATE OF ILLINOIS DEPARTMENT OF TRANSPORTATION	TYPICAL SECTIONS			F.A.I. RTE.	SECTION	COUNTY	TOTAL SHEETS	SHEET NO.
		DRAWN -	REVISED -					80	*	ROCK ISLAND	31	10
		CHECKED -	REVISED -		SCALE: SHEET NO. OF SHEETS STA. TO STA.			FED. ROAD DIST. NO. ILLINOIS FED. AID PROJECT		CONTRACT NO. 64D34		
		DATE -	REVISED -									