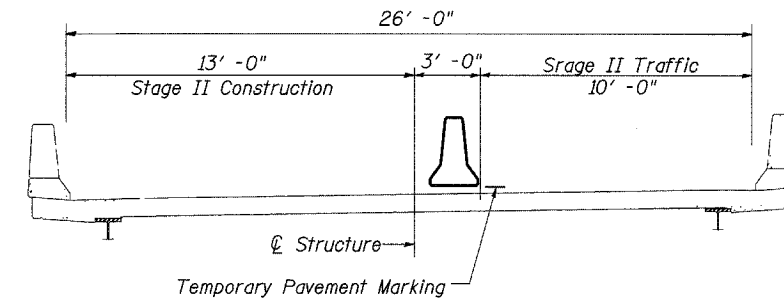
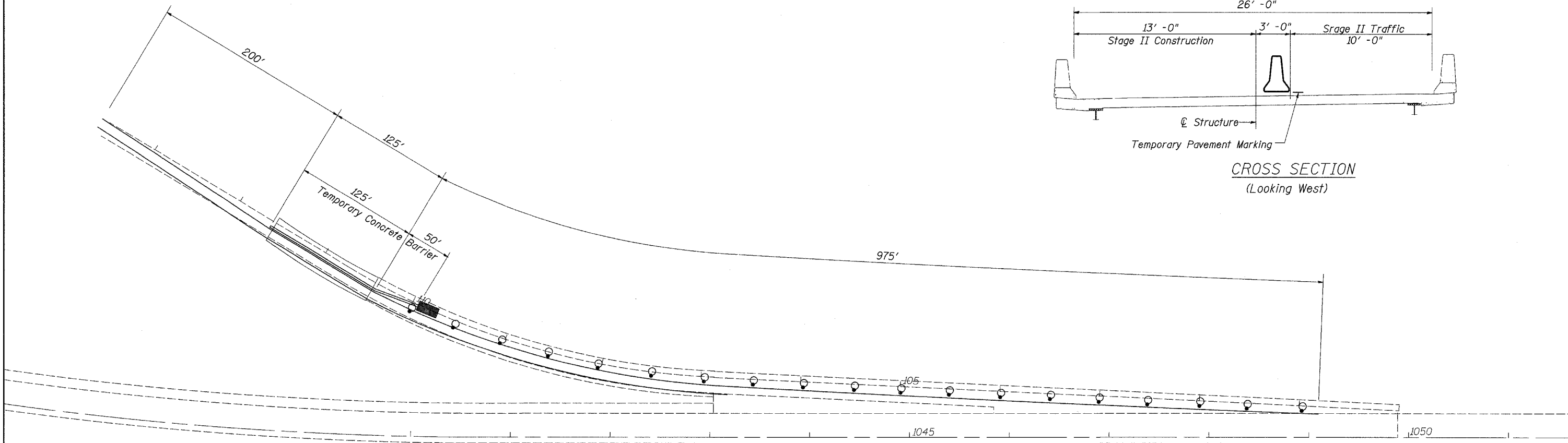


# Traffic Control Plan

## Location 3

### Structure Number 089-0060



**CROSS SECTION**  
(Looking West)

<u>Work Zone Pavement Marking Removal</u>		Sq. Ft.
Stage I	Temporary Lines	320
Stage II	Temporary Lines	870
Total		1190

<u>Paint Pavement Marking - Line 4"</u>		Foot
Edge Lines		5200
Total		5200

<u>Relocate Temporary Concrete Barrier</u>		Foot
Stage II		175
Temporary Storage		175
Total		350

**TRAFFIC CONTROL PLAN**  
**US ROUTE 20 WESTBOUND RAMP OVER SILVER CREEK**  
**VARIOUS ROUTES**  
**SECTION (106BR)M, (4B-2)M & (177-4B-3)M**  
**VARIOUS COUNTIES**  
**STRUCTURE NUMBER 089-0060**

\* Various  
 \*\* (106BR)M, (4B-2)M & 177-4B-3)M

FILE NAME =	USER NAME = lmkdj	DESIGNED -	REVISED -	<b>STATE OF ILLINOIS</b> <b>DEPARTMENT OF TRANSPORTATION</b>	<b>Traffic Control Plan</b>			F.A. RTE.	SECTION	COUNTY	TOTAL SHEETS	SHEET NO.
D:\BR\CADD plans\Various Counties\Contract #64099 2008 expansion joints\008028.dgn	Plot Scale = 50.0000' / IN.	DRAWN -	REVISED -					*	**	Various	26	8
PLOT DATE = Sat Mar 15 11:13:20 2008	DATE -	CHECKED -	REVISED -					ILLINOIS		CONTRACT NO. 64099		
		DATE -	REVISED -					FED. ROAD DIST. NO.	ILLINOIS FED. AID PROJECT			