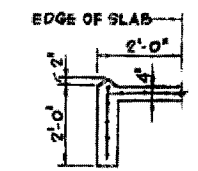
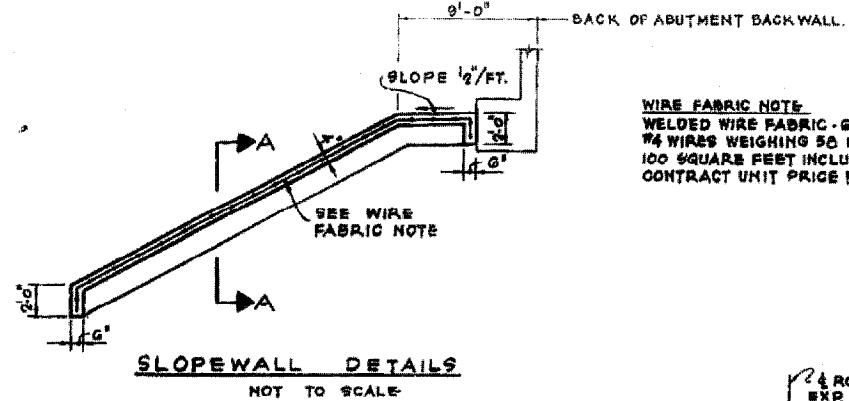


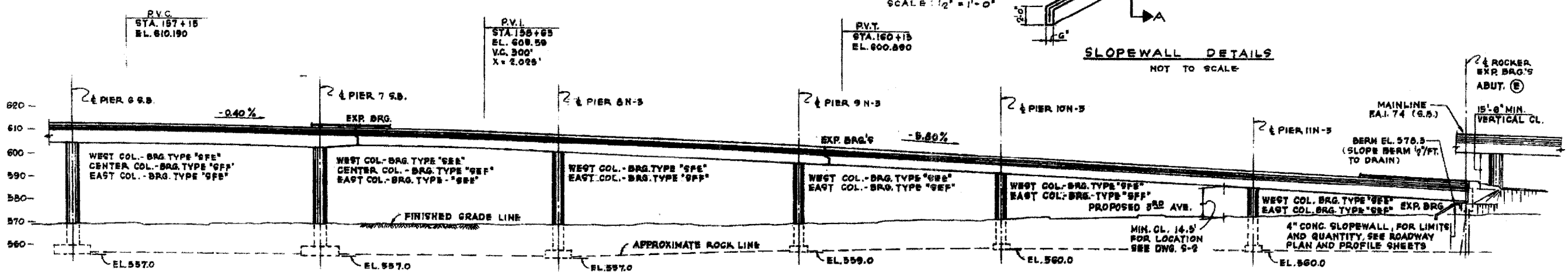
ELEVATION — MAINLINE
SCALE: 1" = 20'



SECTION A-A
SCALE: 1/2" = 1'-0"



WIRE FABRIC NOTE:
WELDED WIRE FABRIC - 6x6 MESH
1/4" WIRES WEIGHING 50 POUNDS PER
100 SQUARE FEET INCLUDED IN
CONTRACT UNIT PRICE FOR SLOPEWALL.



ELEVATION — RAMP N-3
SCALE: 1" = 20'

ELEVATIONS
MAINLINE - PIER 5 TO PIER 11
RAMP N-3 - PIER 6 S.B. TO ABUT. (E)

F.A.I. 74 - SECTION 81-11VB
MOLINE VIADUCT
ROCK ISLAND COUNTY
STATION 258+20

SCALE: AS NOTED DATE:

FOR INFORMATION ONLY

FILE NAME =	USER NAME = 1inkd	DESIGNED -	REVISED -	STATE OF ILLINOIS DEPARTMENT OF TRANSPORTATION	F.A.I. RTE. =	SECTION	COUNTY	TOTAL SHEETS	SHEET NO.
D:\BRY\CADD\plans\Rock Island County\0810142 & 0143\0810142&0143.dgn	DRAWN -	REVISED -	74		181-11VB & 81-11VB-11M-1	ROCK ISLAND	19	13	
PLOT SCALE = 50.0000' / IN.	CHECKED -	REVISED -	CONTRACT NO. 64E28						
PLOT DATE = Tue May 06 10:17:04 2008	DATE -	REVISED -	FED. ROAD DIST. NO. ILLINOIS FED. AID PROJECT						