

INDEX OF SHEETS

1. Cover Sheet
2. Summary of Quantities
3. General Notes
4. - 6. Existing Bridge Plans
7. - 11. Deck Plan
12. - 15. Existing Bridge Plans
16. Traffic Control and Protection for Ramps
17. Typical Pavement Markings
18. Typical Pavement Markings
19. Painting Details

STANDARDS

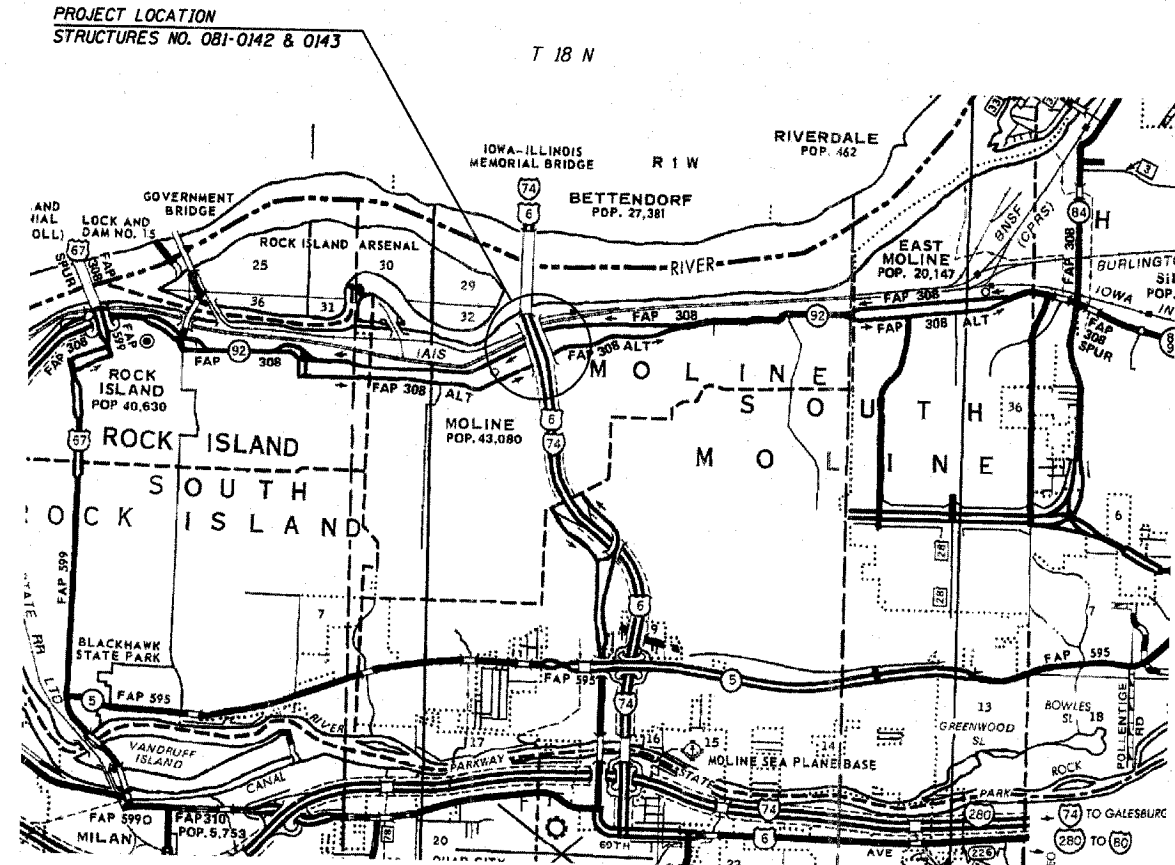
- 701101-01 Off-Road Operations, Multilane, 4.5 m (15') to 600 mm (24") From Pavement Edge
- 701400-02 Approach to Lane Closure, Freeway/Expressway
- 701401-04 Lane Closure, Freeway/Expressway
- 701411-04 Lane Closure, Multilane, at Entrance or Exit Ramp, for Speeds > 45 MPH
- 701426-02 Lane Closure, Multilane, Intermittent or Moving Operation, for Speeds > 45 MPH
- 701901 Traffic Control Devices
- 720011 Metal Posts for Signs, Markers and Delineators
- 728001 Telescoping Steel Sign Support
- 729001 Applications of Types A and B Metal Posts (For Signs & Markers)

STATE OF ILLINOIS
DEPARTMENT OF TRANSPORTATION
DIVISION OF HIGHWAYS
PROPOSED
HIGHWAY PLANS

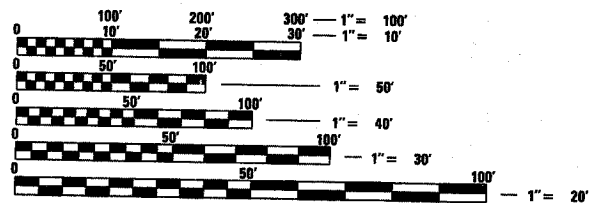
FAI ROUTE 74 (I-74)
SECTION (81-1HVB & 81-1HVB-1)M-1
ROCK ISLAND COUNTY
C-92-103-08

F.A.I. RTE.	SECTION	COUNTY	TOTAL SHEETS	SHEET NO.
74	(81-1HVB & 81-1HVB-1)M-1	ROCK ISLAND	19	1
FED. ROAD DIST. NO.	ILLINOIS	CONTRACT NO. 64E28		

D-92-080-08



Moline Township Sections 32, 33



FULL SIZE PLANS HAVE BEEN PREPARED USING STANDARD ENGINEERING SCALES. REDUCED SIZED PLANS WILL NOT CONFORM TO STANDARD SCALES. IN MAKING MEASUREMENTS ON REDUCED PLANS, THE ABOVE SCALES MAY BE USED.

J.U.L.I.E.
 JOINT UTILITY LOCATION INFORMATION FOR EXCAVATION
 1-800-892-0123
 OR 811

PROJECT ENGINEER MAHMOUD ETEMADI 815/284-5393

CONTRACT NO. 64E28

STATE OF ILLINOIS
 DEPARTMENT OF TRANSPORTATION
 DIVISION OF HIGHWAYS

SUBMITTED May 7 2008
George F. Ryan
 DEPUTY DIRECTOR OF HIGHWAYS, REGION ENGINEER

June 27, 20 08
Eric E. Haral
 INTERIM ENGINEER OF DESIGN AND ENVIRONMENT

June 27, 20 08
Christine M. Reed
 DIRECTOR OF HIGHWAYS, CHIEF ENGINEER

PRINTED BY THE AUTHORITY
OF THE STATE OF ILLINOIS

General Notes

All hot-mix asphalt surface that is removed shall be replaced the same working day. No hot-mix asphalt surface shall be removed if it cannot be resurfaced in the same working day.

All Borrow/Waste/Use sites must be approved by the Department prior to removing any material from the project or initiating any earthmoving activities, including temporary stockpiling outside the limits of construction.

The final top 100 mm (four inches) of soil in any right-of-way area disturbed by the Contractor must be capable of supporting vegetation. The soil must be from the A horizon (zero to 2" deep) of soil profiles of local soils.

The Contractor shall seed all disturbed areas within the project limits. Seeding Class 4 or 2A shall be used, except in front of properties where the grass will be mowed, then use Seeding, Class 1. Class 2A shall be used on front slopes and ditch bottoms. Class 4 shall be used behind Type A gutter, on all backslopes and areas behind the backslope, and beyond the toe of front slope on fill sections without ditches. This work will be included in the contract unit price per square yard for HOT-MIX ASPHALT SURFACE REMOVAL (DECK).

Fertilizer shall be applied to all disturbed areas and incorporated into the seedbed prior to seeding or placement of sod at the rate specified in Sections 250 and 252 of the Standard Specifications. This work shall be included in the cost of HOT-MIX ASPHALT SURFACE REMOVAL (DECK).

Mulch Method II shall be applied over all seeded areas. This shall be included in the cost of the HOT-MIX ASPHALT SURFACE REMOVAL (DECK).

The following Mixture Requirements are applicable for this project:

Mixture Uses(s):	Surface
PG:	SBS 70-22
Design Air Voids	4.0% @ N90
Mixture Composition (Gradation Mixture)	IL 12.5 or 9.5
Friction Aggregate	E
20 Year ESAL	13.0
Mix Unit Weight	119 lbs/sy/in

Bituminous and Aggregate prime coat shall be placed in accordance with Section 406 of the Standard Specifications. The cost of the prime coats shall be included in the contract unit price per ton for HOT-MIX ASPHALT SURFACE COURSE, MIX "E", N90

These structures will retain the same number 081-0142, 081-0143, 081-0111, 081-0112, 081-0113, 081-0114.

Pavement Marking shall be done according to Standard 780001, except as follows:

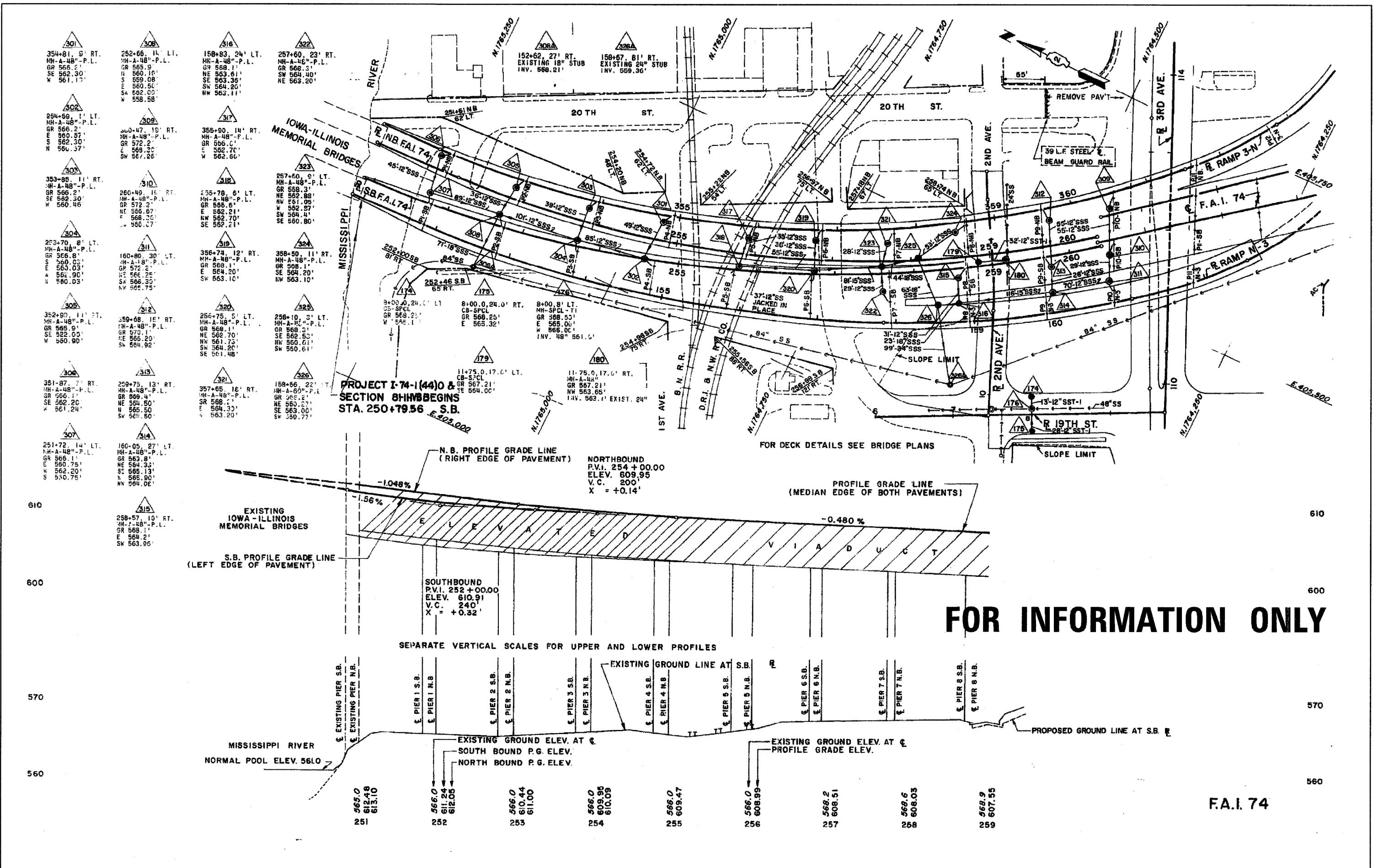
- All words, such as ONLY, shall be 2.4 m (8 feet) high.
- All non-freeway arrows shall be the large size.
- The distance between yellow no-passing lines shall be 200 mm (8"), not 180 mm (7") as shown in the detail of Typical Lane and Edge Lines.

The Contractor shall be responsible for protecting utility property during construction operations as outlined in Article 107.31 of the Standard Specifications. A minimum of 48 hours advance notice is required for non-emergency work. The JULIE number is 800-892-0123.

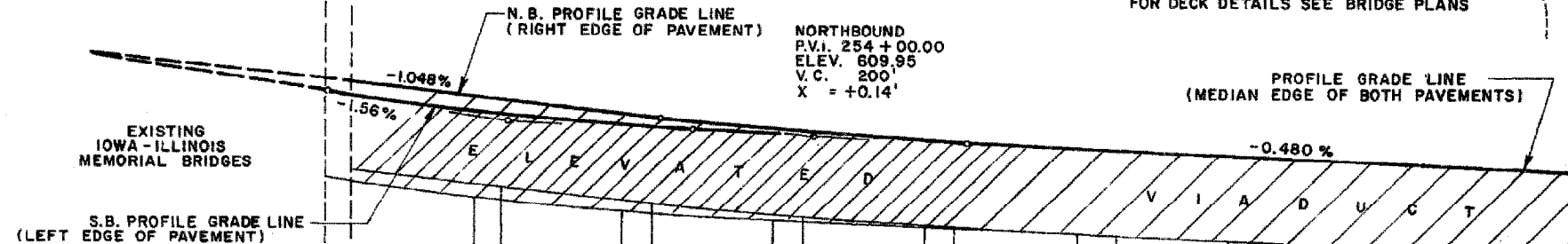
Following are the known utilities located within the project limits or immediately adjacent to the project construction limits which are not members of JULIE and should be notified individually by the contractor:

IDOT Mr. Kyle Lorenz 815/284-5469

FILE NAME = D:\BRCADD\plans\Rock Island County\0810142 & 0143\0810142&0143.dgn	USER NAME = linkdj	DESIGNED -	REVISED -	STATE OF ILLINOIS DEPARTMENT OF TRANSPORTATION	-----		F.A.I. RTE.	SECTION	COUNTY	TOTAL SHEETS	SHEET NO.	
	PLOT SCALE = 50,0000' / IN.	DRAWN -	REVISED -		SCALE: -----	SHEET NO. ___ OF ___ SHEETS	STA. ----- TO STA. -----	74	(81-IHVB & 81-IHVB-1M-1)	ROCK ISLAND	19	3
PLOT DATE = Tue May 06 10:15:03 2008	CHECKED -	REVISED -	FED. ROAD DIST. NO. - [ILLINOIS] FED. AID PROJECT		CONTRACT NO. 64E28							
	DATE -	REVISED -										



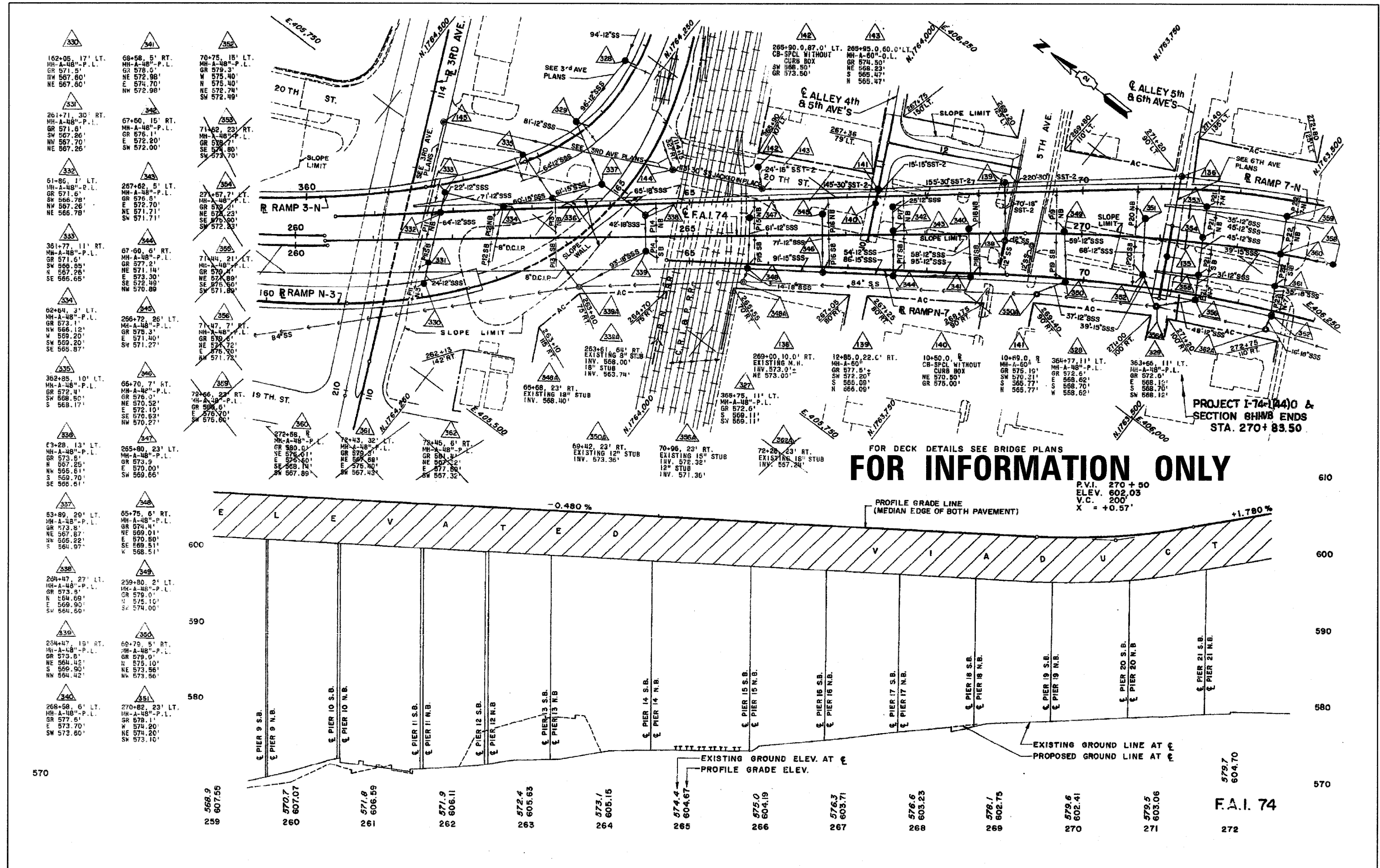
PROJECT I-74-1(44) & SECTION 8HMBBEGINS STA. 250+79.56 S.B.



FOR INFORMATION ONLY

SEPARATE VERTICAL SCALES FOR UPPER AND LOWER PROFILES

STATION	EXISTING GROUND ELEV. AT PIER	SOUTH BOUND P.G. ELEV.	NORTH BOUND P.G. ELEV.	EXISTING GROUND ELEV. AT PIER	PROPOSED GROUND LINE AT S.B.
251	565.0	612.48	613.10	565.0	608.51
252	566.0	611.24	612.05	566.0	608.03
253	566.0	610.44	611.00	566.0	607.55
254	566.0	609.95	610.09	566.0	607.55
255	566.0	609.47	609.47	566.0	607.55
256	566.0	608.99	608.99	566.0	607.55
257	566.2	608.51	608.51	566.2	607.55
258	566.6	608.03	608.03	566.6	607.55
259	566.9	607.55	607.55	566.9	607.55

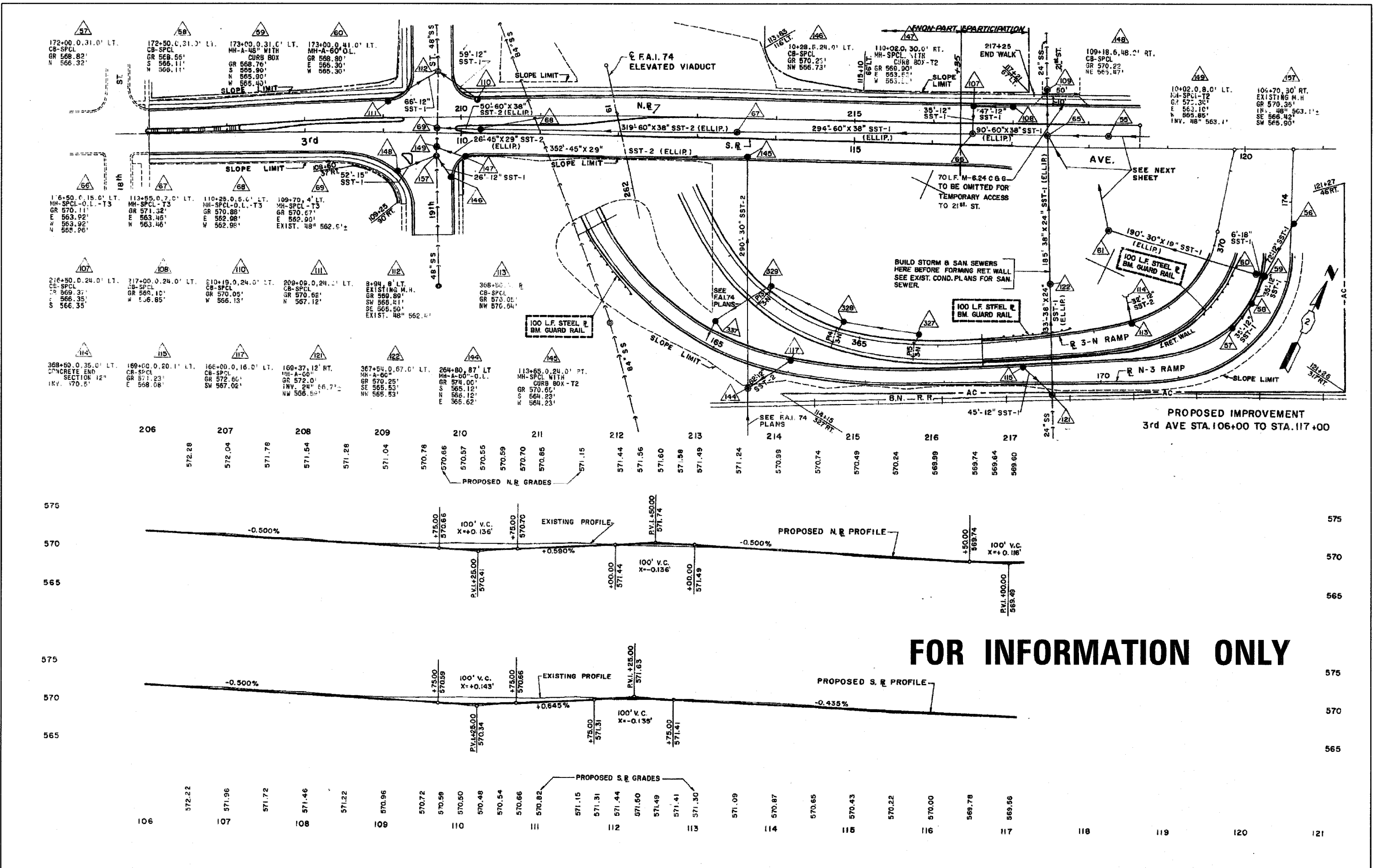


**FOR DECK DETAILS SEE BRIDGE PLANS
FOR INFORMATION ONLY**

P.V.I. 270+50
ELEV. 602.03
V.C. 200'
X = +0.57'

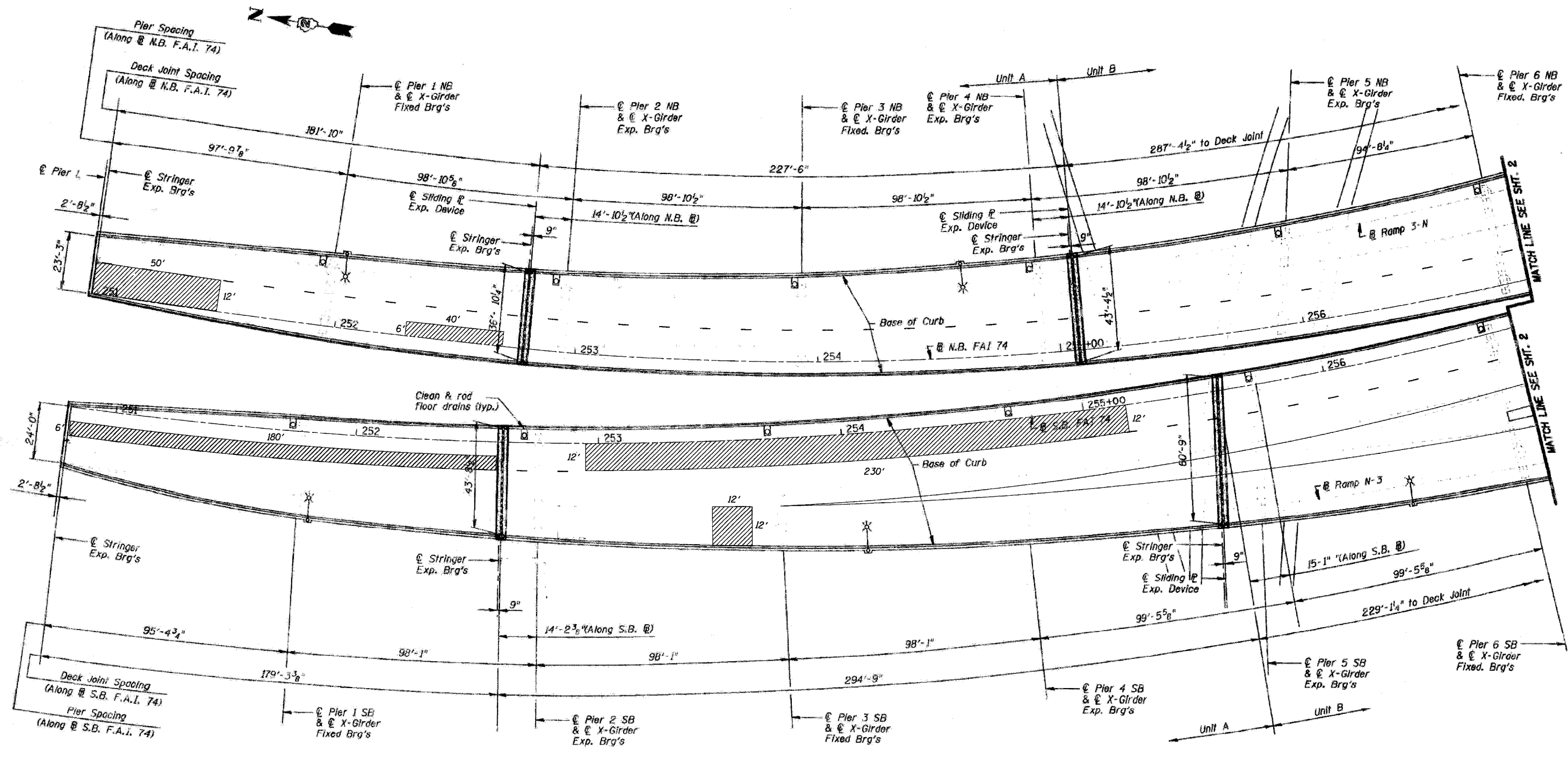
PROFILE GRADE LINE
(MEDIAN EDGE OF BOTH PAVEMENT)

FILE NAME =	USER NAME = linkdj	DESIGNED -	REVISED -	STATE OF ILLINOIS DEPARTMENT OF TRANSPORTATION	SCALE: _____ SHEET NO. _____ OF _____ SHEETS STA. _____ TO STA. _____	F.A.I. RTE.	SECTION	COUNTY	TOTAL SHEETS	SHEET NO.	
0:\BR\CADD plans\Rock Island County\0810142 & 0143\0810142&0143.dgn		DRAWN -	REVISED -			74	(81-IHV-B & 81-IHV-B-1M-1)	ROCK ISLAND	19	5	
PLOT SCALE = 50.0000' / IN.		CHECKED -	REVISED -			CONTRACT NO. 64E28					
PLOT DATE = Tue May 06 10:15:25 2008		DATE -	REVISED -			FED. ROAD DIST. NO. ILLINOIS FED. AID PROJECT					



FOR INFORMATION ONLY

FILE NAME =	USER NAME = linkdj	DESIGNED -	REVISED -	STATE OF ILLINOIS DEPARTMENT OF TRANSPORTATION	F.A.I. RTE.	SECTION	COUNTY	TOTAL SHEETS	SHEET NO.
D:\BR\CADD plans\Rock Island County\0810142 & 0143\0810142&0143.dgn		DRAWN -	REVISED -		74	181-IHVB & 81-IHVB-1JM-1	ROCK ISLAND	19	6
PLOT SCALE = 50.0000' / IN.		CHECKED -	REVISED -		CONTRACT NO. 64E28				
PLOT DATE = Tue May 06 10:15:32 2008		DATE	REVISED		FED. ROAD DIST. NO. ILLINOIS FED. AID PROJECT				

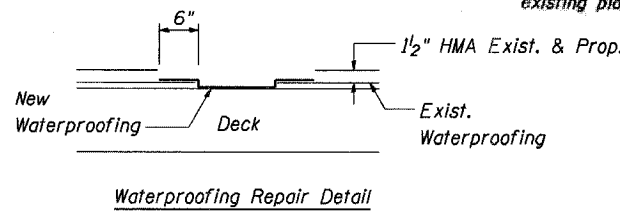


NOTE: Remove and replace areas of damaged and debonded waterproofing membrane. Overlap new membrane over existing membrane a minimum of 6".

The plan quantities for deck resurfacing are estimated quantities. The areas shown on the deck plan are potential areas of deck resurfacing. The quantities are included as contingencies to be used as directed by the engineer during construction.

GENERAL PLAN, UNITS A & B

Note: Dimensions shown are taken from existing plans.

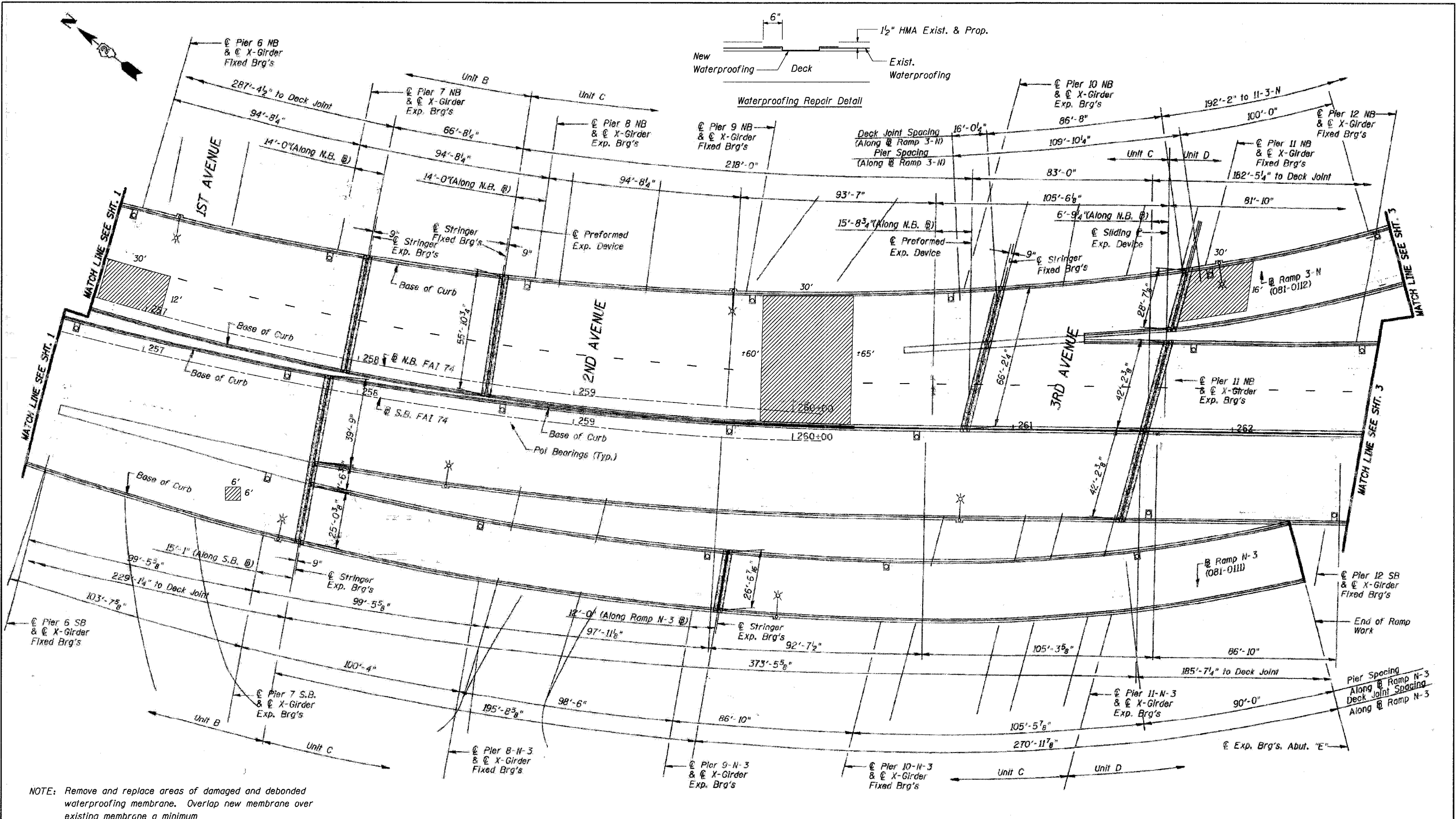


Legend

Limits of Hot Mix Asphalt Surface Removal (Deck), Sheet Waterproofing Membrane System, and Hot Mix Asphalt Surface Course, Mix "E", N90

Deck Survey Date: April 25, 2008

FILE NAME =	USER NAME = linkdj	DESIGNED -	REVISED -	STATE OF ILLINOIS DEPARTMENT OF TRANSPORTATION	SCALE: _____ SHEET NO. ____ OF ____ SHEETS STA. _____ TO STA. _____	F.A.I. RTE. =	SECTION	COUNTY	TOTAL SHEETS	SHEET NO.
D:\BR\CADD\plans\Rock Island County\0810142 & 0143\0810142&0143.dgn	DRAWN -	REVISED -	74			(B1-IHVB & B1-IHVB-1)M-1	ROCK ISLAND	19	7	
PLOT SCALE = 50.0000' / IN	CHECKED -	REVISED -	CONTRACT NO. 64E28							
PLOT DATE = Tue May 06 10:15:45 2008	DATE -	REVISED -	FED. ROAD DIST. NO. _____ ILLINOIS FED. AID PROJECT							



GENERAL PLAN, UNITS B, C & D

Note: Dimensions shown are taken from existing plans.

Legend

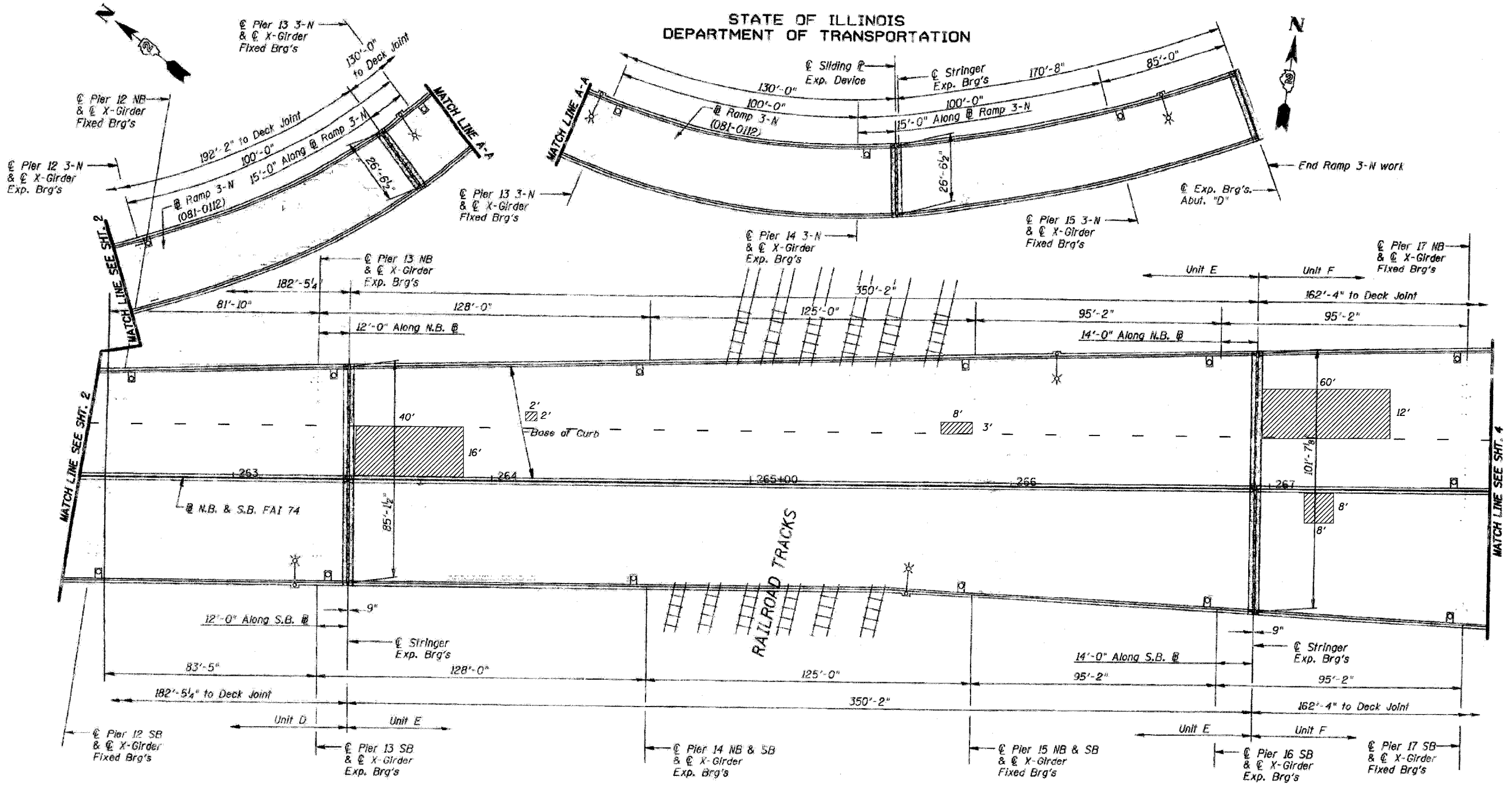
Limits of Hot Mix Asphalt Surface Removal (Deck), Sheet Waterproofing Membrane System, and Hot Mix Asphalt Surface Course, Mix "E", N90

Deck Survey Date: April 25, 2008

NOTE: Remove and replace areas of damaged and debonded waterproofing membrane. Overlap new membrane over existing membrane a minimum of 6".
 The plan quantities for deck resurfacing are estimated quantities. The areas shown on the deck plan are potential areas of deck resurfacing. The quantities are included as contingencies to be used as directed by the engineer during construction.

FILE NAME =	USER NAME = linkd	DESIGNED -	REVISED -	STATE OF ILLINOIS DEPARTMENT OF TRANSPORTATION	SCALE: _____ SHEET NO. _____ OF _____ SHEETS STA. _____ TO STA. _____	F.A.I. RTE.	SECTION	COUNTY	TOTAL SHEETS	SHEET NO.
D:\BR\CADD\plans\Rock Island County\081142 & 0143\0810142&0143.dgn	DRAWN -	REVISED -	74			(81-1HV8 & 81-1HV8-1M-1)	ROCK ISLAND	19	8	
PLOT SCALE = 50.0000' / IN.	CHECKED -	REVISED -	CONTRACT NO. 64E28							
PLOT DATE = Tue May 06 10:16:00 2008	DATE -	REVISED -	ILLINOIS FED. AID PROJECT							

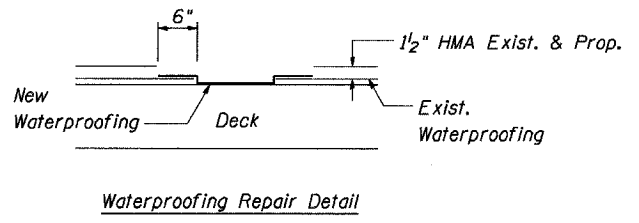
STATE OF ILLINOIS
DEPARTMENT OF TRANSPORTATION



GENERAL PLAN, UNITS D, E & F

NOTE: Remove and replace areas of damaged and debonded waterproofing membrane. Overlap new membrane over existing membrane a minimum of 6".

The plan quantities for deck resurfacing are estimated quantities. The areas shown on the deck plan are potential areas of deck resurfacing. The quantities are included as contingencies to be used as directed by the engineer during construction.

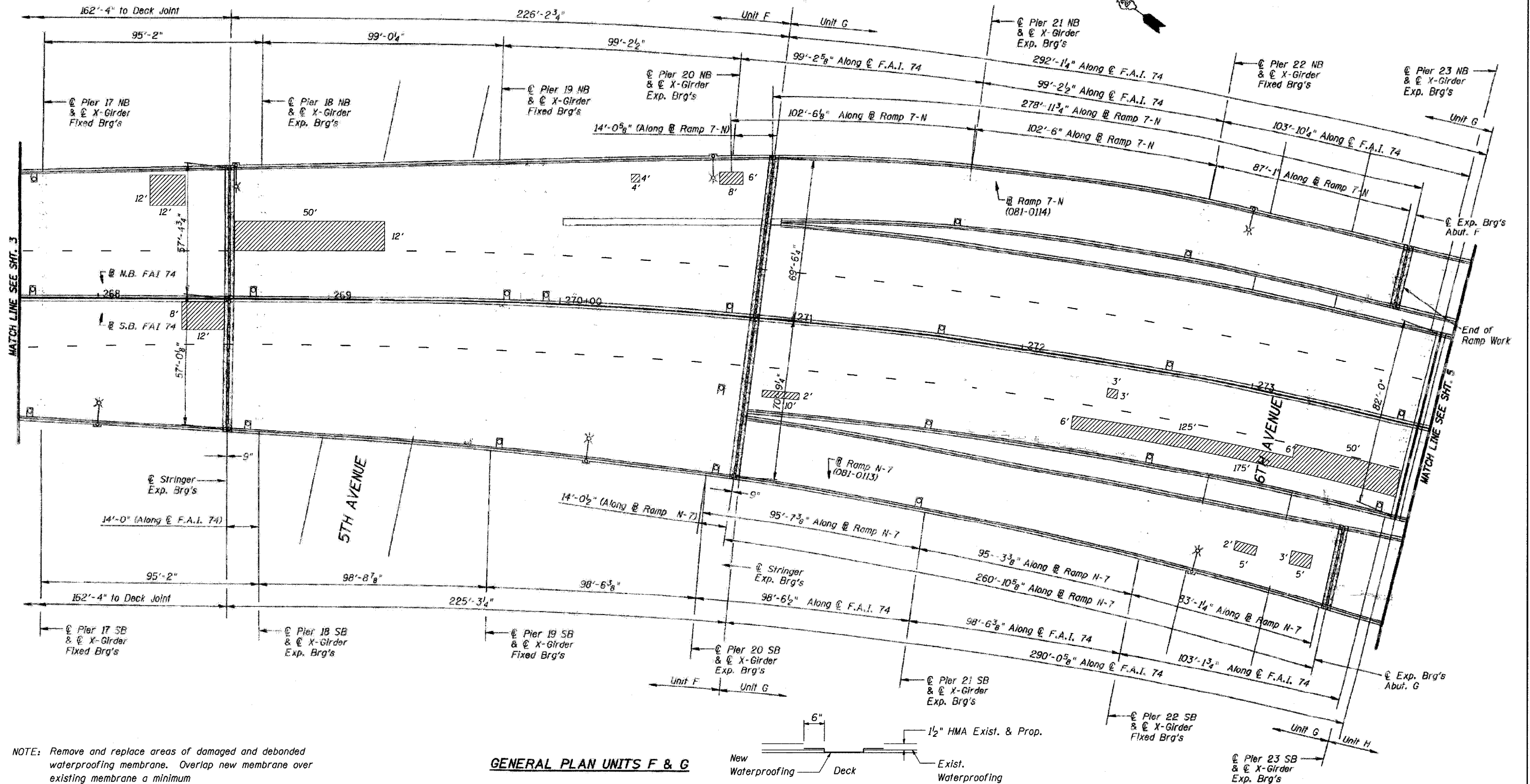
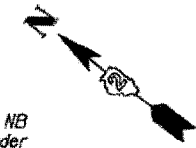


Legend

Limits of Hot Mix Asphalt Surface Removal (Deck), Sheet Waterproofing Membrane System, and Hot Mix Asphalt Surface Course, Mix "E", N90

Deck Survey Date: April 25, 2008

FILE NAME =	USER NAME = linkd	DESIGNED -	REVISED -	STATE OF ILLINOIS DEPARTMENT OF TRANSPORTATION	SCALE: _____ SHEET NO. ____ OF _____ SHEETS STA. _____ TO STA. _____	F.A.I. RTE.	SECTION	COUNTY	TOTAL SHEETS	SHEET NO.
D:\BR\CADD plans\Rock Island County\0810142 & 0143\0810142&0143.dgn	DRAWN -	REVISED -	74			(81-1HVB & 81-1HVB-1M-1)	ROCK ISLAND	19	9	
PLOT SCALE = 50.0000' / IN.	CHECKED -	REVISED -	CONTRACT NO. 64E28							
PLOT DATE = Tue May 06 10:16:13 2008	DATE -	REVISED -	ILLINOIS FED. AID PROJECT							

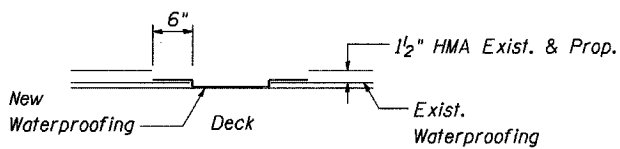


NOTE: Remove and replace areas of damaged and debonded waterproofing membrane. Overlap new membrane over existing membrane a minimum of 6".

The plan quantities for deck resurfacing are estimated quantities. The areas shown on the deck plan are potential areas of deck resurfacing. The quantities are included as contingencies to be used as directed by the engineer during construction.

GENERAL PLAN UNITS F & G

Note: Dimensions shown are taken from existing plans.



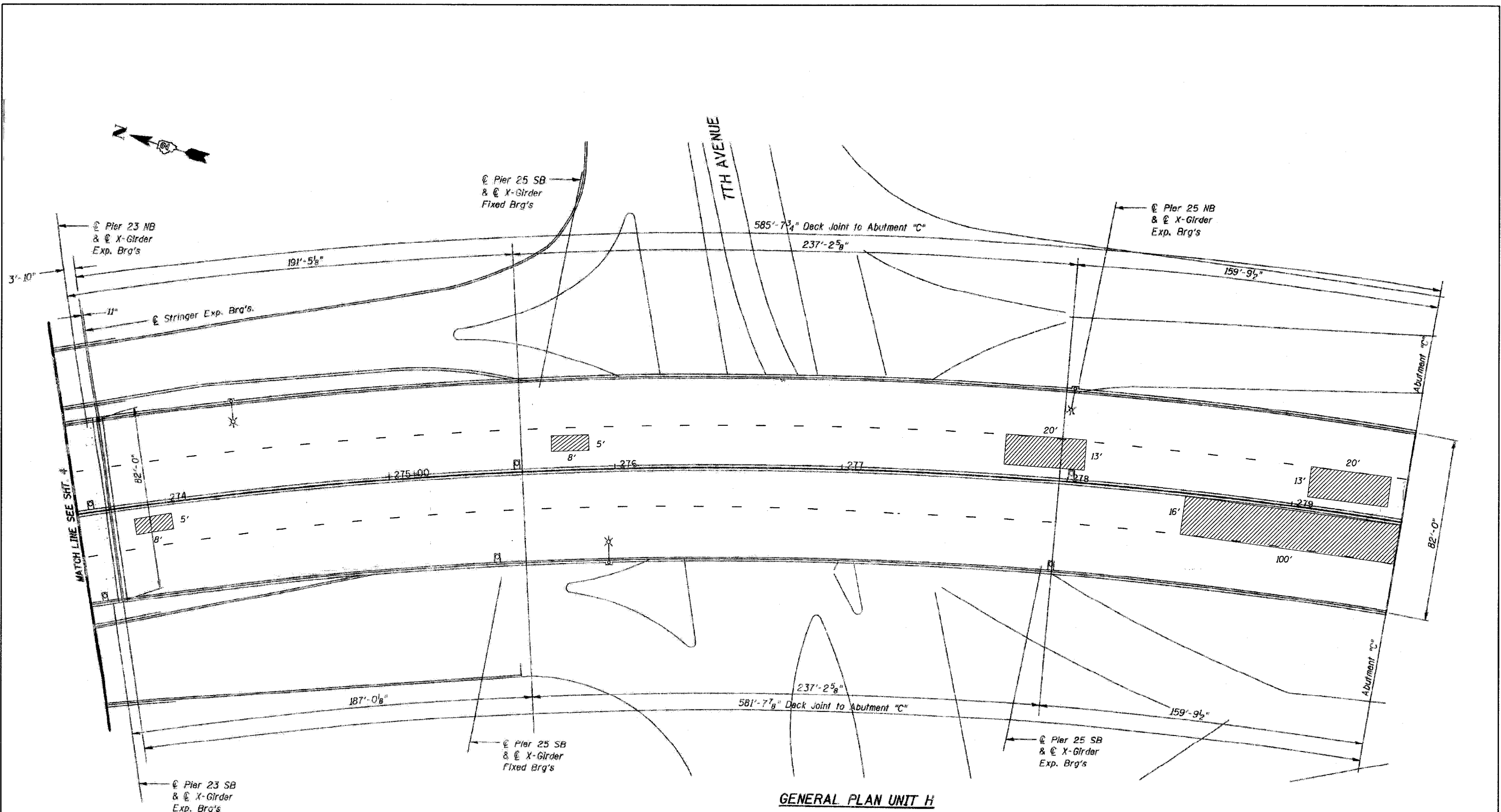
Waterproofing Repair Detail

Legend

Limits of Hot Mix Asphalt Surface Removal (Deck), Sheet Waterproofing Membrane System, and Hot Mix Asphalt Surface Course, Mix "E", N90

Deck Survey Date: April 25, 2008

FILE NAME =	USER NAME = linkdj	DESIGNED -	REVISED -	STATE OF ILLINOIS DEPARTMENT OF TRANSPORTATION	SCALE: _____ SHEET NO. _____ OF _____ SHEETS STA. _____ TO STA. _____	F.A.I. RTE.	SECTION	COUNTY	TOTAL SHEETS	SHEET NO.
D:\BR\CADD plane\Rock Island County\081142 & 0143\0810142&0143.dgn	DRAWN -	REVISED -	74			(81-1HVB & 81-1HVB-1M-1)	ROCK ISLAND	19	10	
PLOT SCALE = 50.0000' / IN.	CHECKED -	REVISED -	CONTRACT NO. 64E28							
PLOT DATE = Tue May 06 10:16:26 2008	DATE -	REVISED -	FED. ROAD DIST. NO. ILLINOIS FED. AID PROJECT							

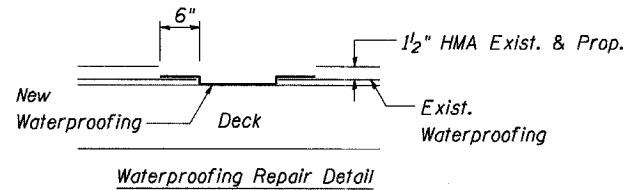


GENERAL PLAN UNIT H

NOTE: Remove and replace areas of damaged and debonded waterproofing membrane. Overlap new membrane over existing membrane a minimum of 6".

The plan quantities for deck resurfacing are estimated quantities. The areas shown on the deck plan are potential areas of deck resurfacing. The quantities are included as contingencies to be used as directed by the engineer during construction.

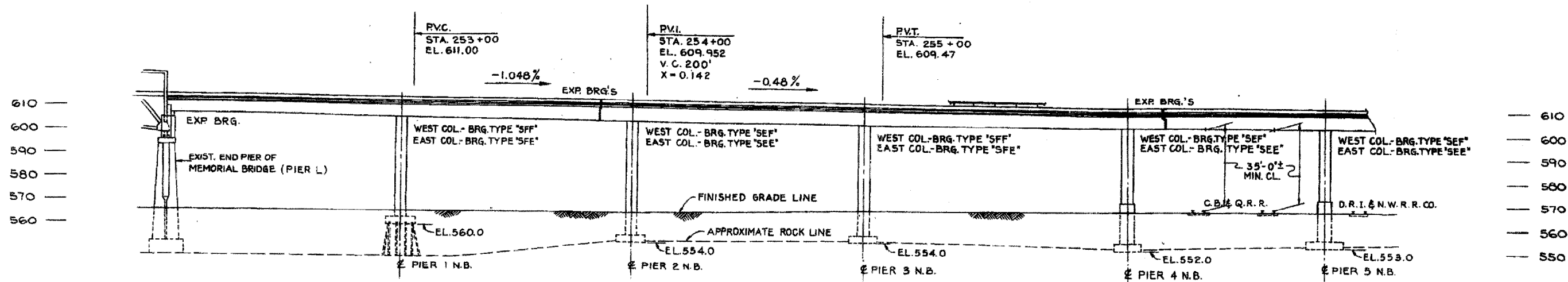
Note: Dimensions shown are taken from existing plans



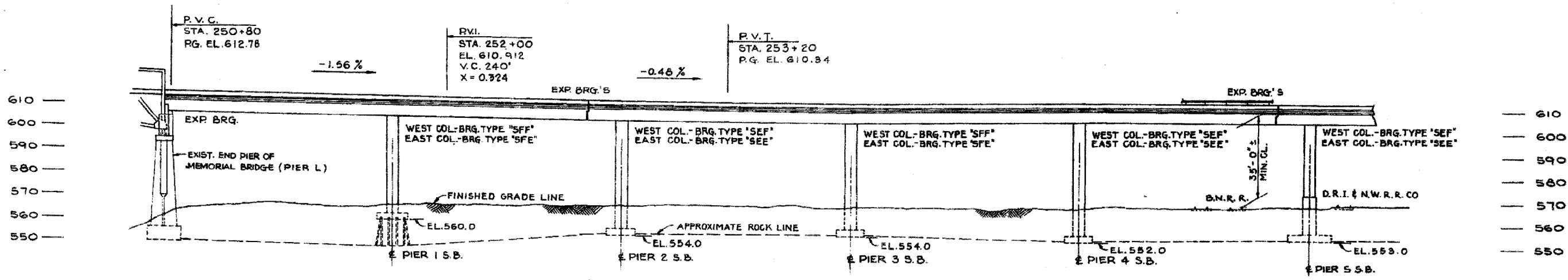
Legend
 Limits of Hot Mix Asphalt Surface Removal (Deck), Sheet Waterproofing Membrane System, and Hot Mix Asphalt Surface Course, Mix "E", N90

Deck Survey Date: April 25, 2008

FILE NAME =	USER NAME = linkdj	DESIGNED -	REVISED -	STATE OF ILLINOIS DEPARTMENT OF TRANSPORTATION	SCALE: _____ SHEET NO. ____ OF ____ SHEETS STA. _____ TO STA. _____	F.A.I. RTE.	SECTION	COUNTY	TOTAL SHEETS	SHEET NO.
D:\BR\CADD plans\Rock Island County\0810142 & 0143\0810142&0143.dgn	DRAWN -	REVISED -	74			(81-IHVB & 81-IHVB-1)M-1	ROCK ISLAND	19	11	
PLOT SCALE = 50.0000' / IN.	CHECKED -	REVISED -	CONTRACT NO. 64E28							
PLOT DATE = Tue May 06 10:16:39 2008	DATE -	REVISED -	FED. ROAD DIST. NO. _ ILLINOIS FED. AID PROJECT							



ELEVATION — N.B. ROADWAY
1" = 20'

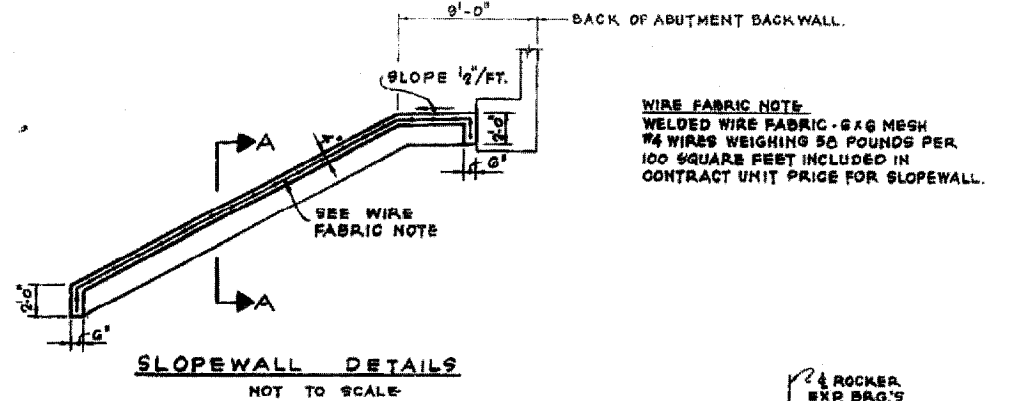
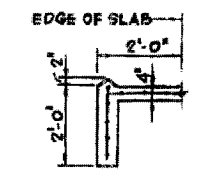
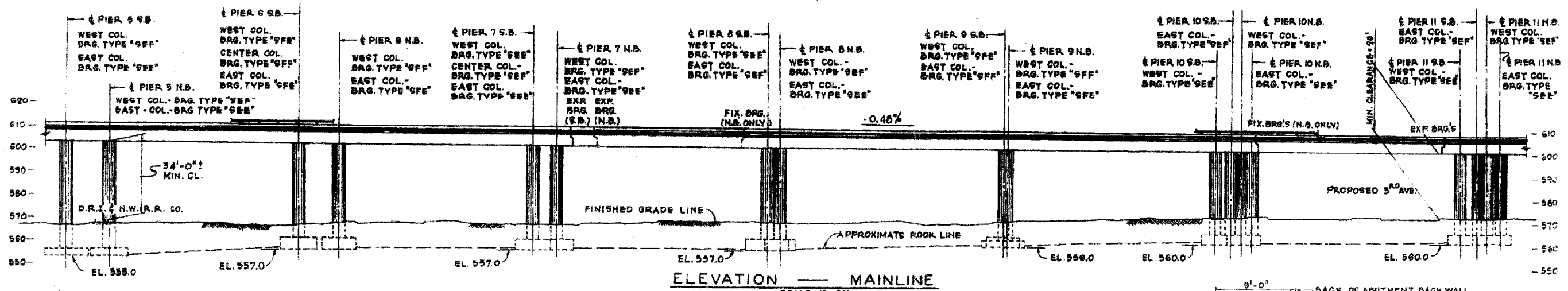


ELEVATION — S.B. ROADWAY
1" = 20'

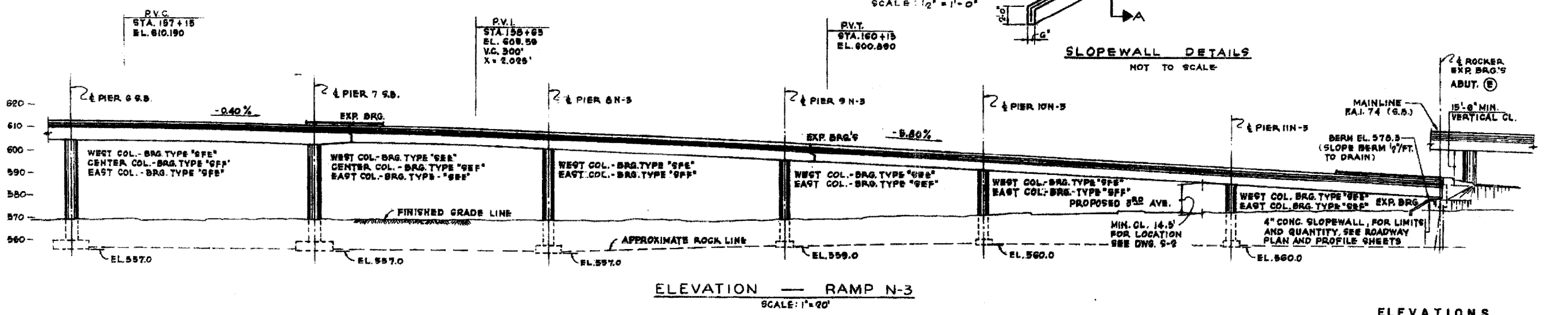
FOR INFORMATION ONLY

ELEVATION — N.B. & S.B. RDWAY
EXISTING PIER TO PIER 5
F.A.I. 74 - SECTION 81-1HVB
MOLINE VIADUCT
ROCK ISLAND COUNTY
STATION 245+20
SCALE AS NOTED DATE:

FILE NAME =	USER NAME = linkdj	DESIGNED -	REVISED -	STATE OF ILLINOIS DEPARTMENT OF TRANSPORTATION	----- SCALE: _____ SHEET NO. _____ OF _____ SHEETS STA. _____ TO STA. _____	F.A.I. RTE.	SECTION	COUNTY	TOTAL SHEETS	SHEET NO.
D:\BR\CAOD plans\Rock Island County\081142 & 0143\0810142&0143.dgn	DRAWN -	REVISED -	74			(81-1HVB & 81-1HVB-1M-1)	ROCK ISLAND	19	12	
PLOT SCALE = 50.0000' / IN.	CHECKED -	REVISED -	CONTRACT NO. 64E28							
PLOT DATE = Tue May 06 10:16:52 2008	DATE -	REVISED -	ILLINOIS FED. AID PROJECT							



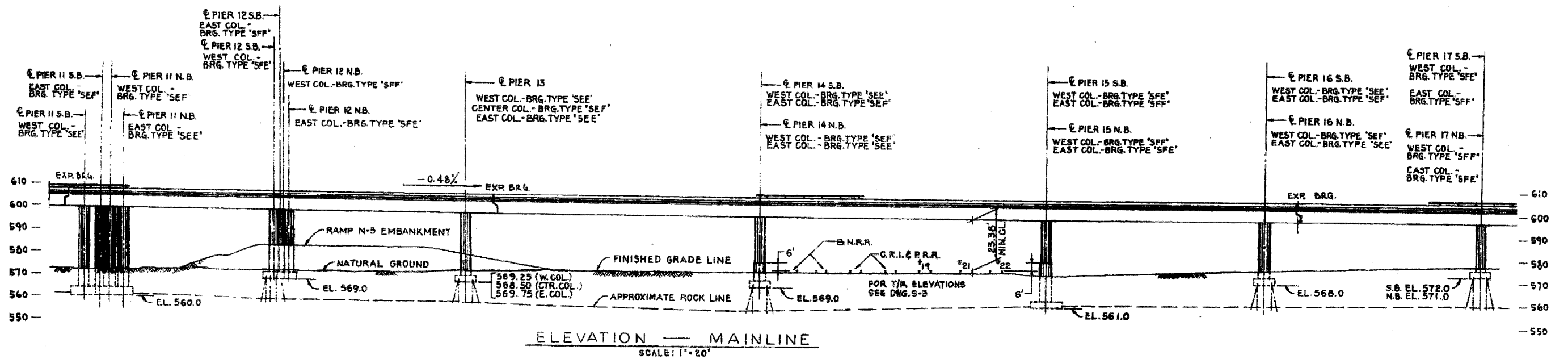
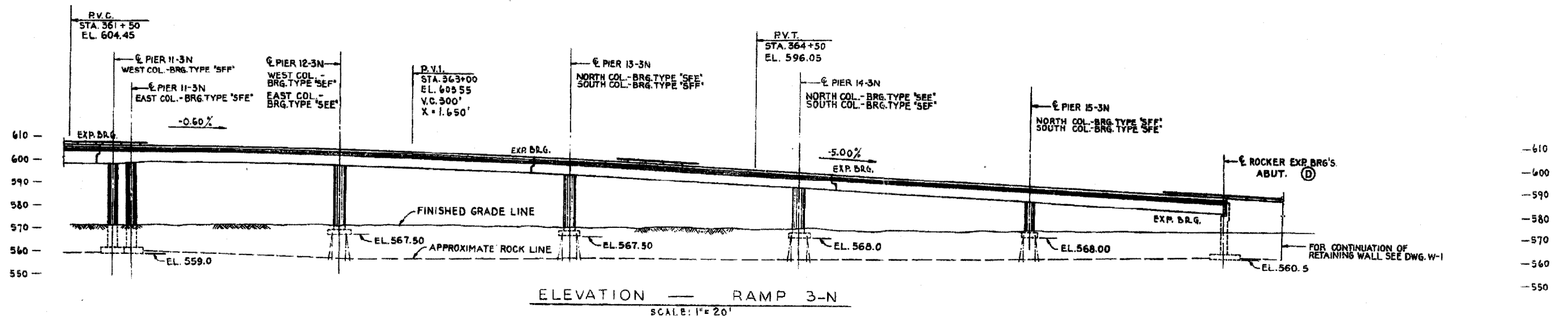
WIRE FABRIC NOTE:
 WELDED WIRE FABRIC - 6x6 MESH
 1/4" WIRES WEIGHING 50 POUNDS PER
 100 SQUARE FEET INCLUDED IN
 CONTRACT UNIT PRICE FOR SLOPEWALL.



ELEVATIONS
 MAINLINE - PIER 5 TO PIER 11
 RAMP N-3 - PIER 6 S.B. TO ABUT. (E)
 F.A.I. 74 - SECTION 81-1HV8
 MOLINE VIADUCT
 ROCK ISLAND COUNTY
 STATION 258+20
 SCALE: AS NOTED DATE:

FOR INFORMATION ONLY

FILE NAME =	USER NAME = 1inkd	DESIGNED -	REVISED -	STATE OF ILLINOIS DEPARTMENT OF TRANSPORTATION	F.A.I. RTE. =	SECTION	COUNTY	TOTAL SHEETS	SHEET NO.
D:\BRV\CADD plans\Rock Island County\0810142 & 0143\0810142&0143.dgn	DRAWN -	REVISED -	74		181-1HV8 & 81-1HV8-1M-1	ROCK ISLAND	19	13	
PLOT SCALE = 50.0000 "/td> <td>CHECKED -</td> <td>REVISED -</td> <td colspan="6" style="text-align: center;">CONTRACT NO. 64E28</td>	CHECKED -	REVISED -	CONTRACT NO. 64E28						
PLOT DATE = Tue May 06 10:17:04 2008	DATE -	REVISED -	FED. ROAD DIST. NO. ILLINOIS FED. AID PROJECT						



FOR INFORMATION ONLY

ELEVATIONS
 RAMP 3-N — PIER 11 TO ABUT. ①
 MAINLINE — PIER 11 TO PIER 17

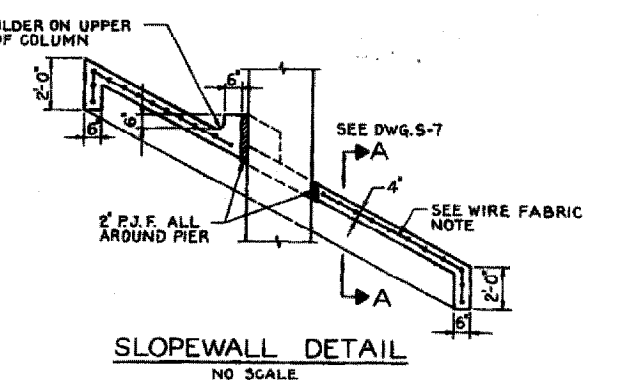
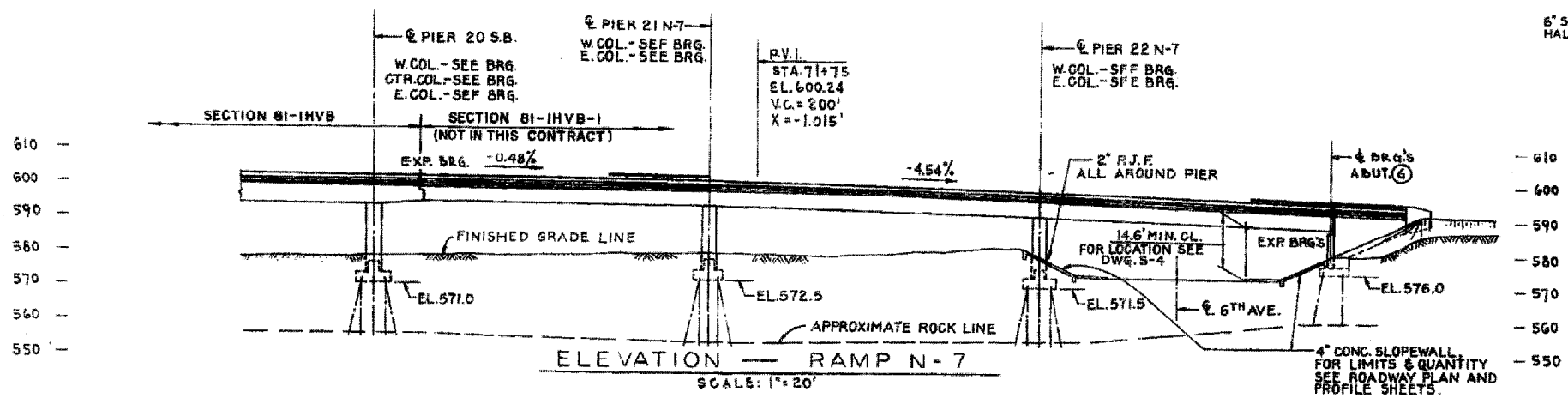
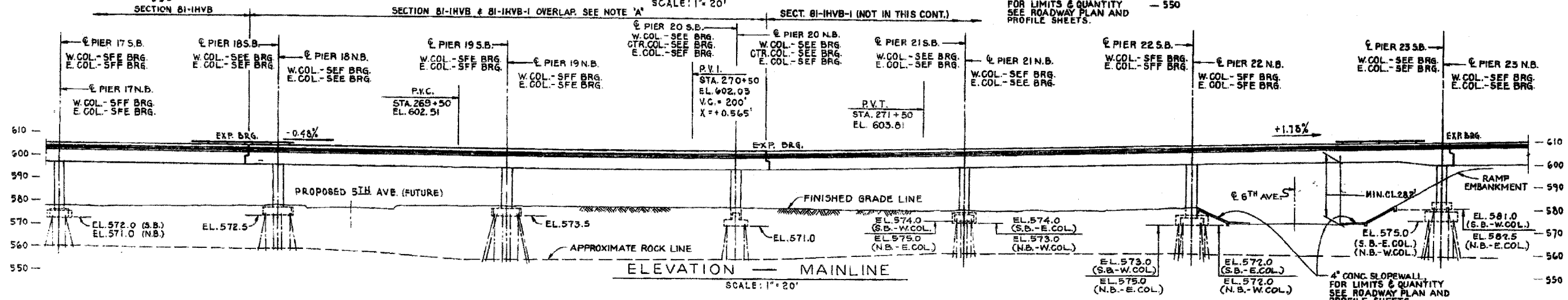
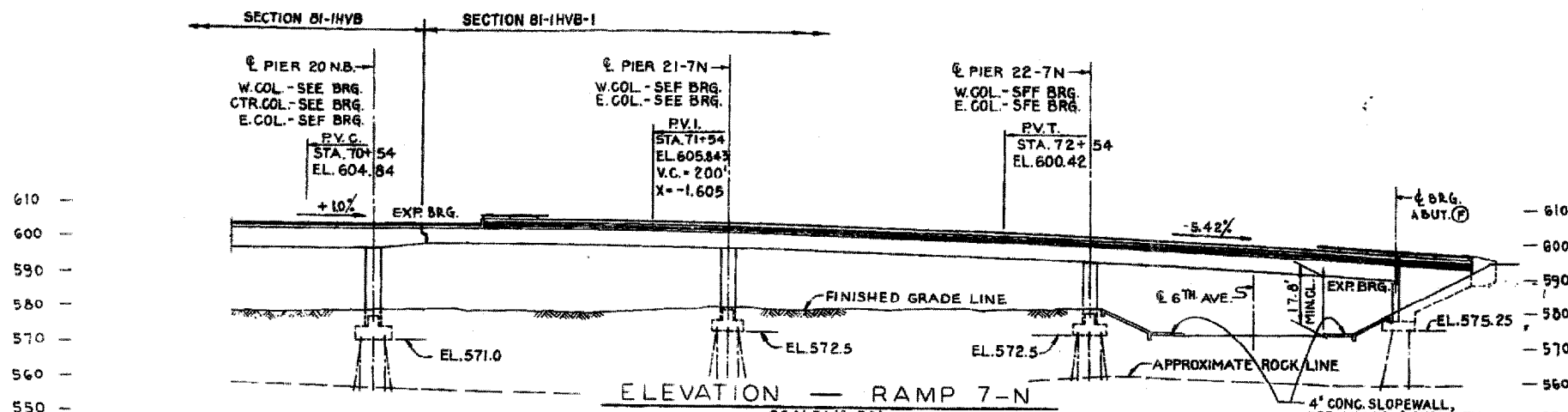
F.A.174-SECTION 81-IHVB
 MOLINE VIADUCT

ROCK ISLAND COUNTY

STATION 285 + 20

SCALE: AS NOTED DATE:

FILE NAME =	USER NAME = linkdj	DESIGNED -	REVISED -	STATE OF ILLINOIS DEPARTMENT OF TRANSPORTATION	SCALE: _____ SHEET NO. _____ OF _____ SHEETS STA. _____ TO STA. _____	F.A.I. RTE.	SECTION	COUNTY	TOTAL SHEETS	SHEET NO.
D:\BR\CADD plans\Rock Island County\081142 & 0143\0810142&0143.dgn	DRAWN -	REVISED -	74			(81-IHVB & 81-IHVB-1M-1)	ROCK ISLAND	19	14	
PLOT SCALE = 50.0000' / IN.	CHECKED -	REVISED -	CONTRACT NO. 64E28							
PLOT DATE = Tue May 06 10:17:16 2008	DATE -	REVISED -	FED. ROAD DIST. NO. ILLINOIS FED. AID PROJECT							



ELEVATIONS
 RAMP 7-N - PIER 20 N.B. TO ABUT. S.B. RDWAY - PIER 17 TO PIER 23
 RAMP N-7 - PIER 20 S.B. TO ABUT.

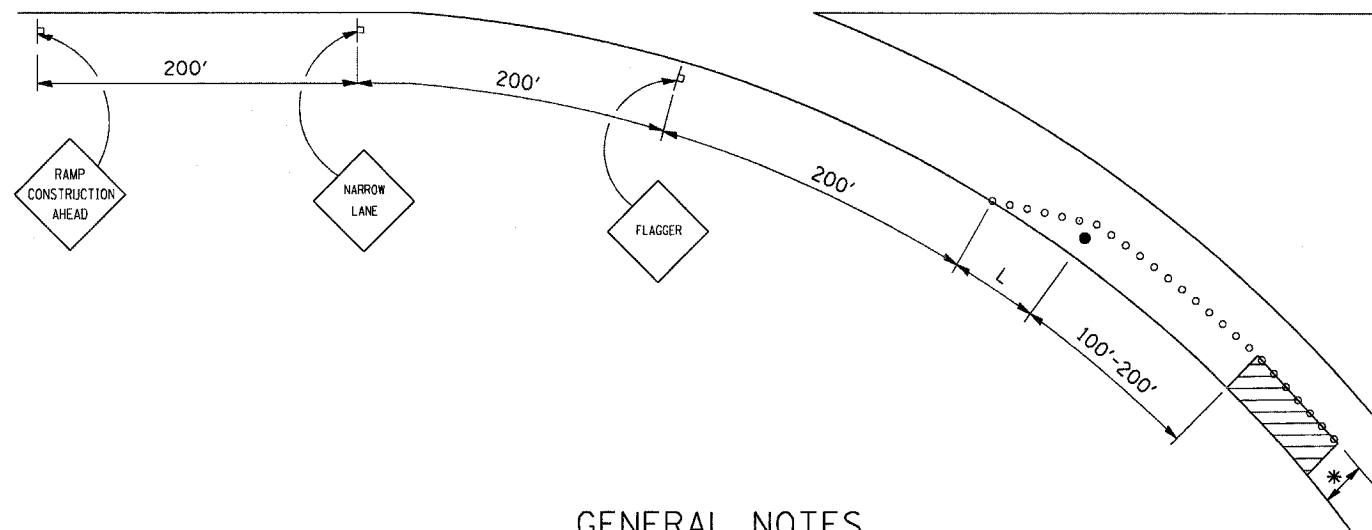
WIRE FABRIC NOTE:
 WELDED WIRE FABRIC 6x6 MESH #4 WIRES WEIGHING 56 POUNDS PER 100 SQUARE FEET INCLUDED IN CONTRACT UNIT PRICE FOR SLOPE WALL.

F.A.I. 174-SECTION 81-IHVB
 MOLINE VIADUCT
 ROCK ISLAND COUNTY
 STATION 265+20
 SCALE: AS NOTED DATE:

FOR INFORMATION ONLY

FILE NAME = D:\BR\CADD\plans\Rock Island County\8810142 & 0143\0810142&0143.dgn	USER NAME = linkdj	DESIGNED -	REVISED -	STATE OF ILLINOIS DEPARTMENT OF TRANSPORTATION	SCALE: _____	SHEET NO. _____ OF _____ SHEETS	STA. _____ TO STA. _____	F.A.I. RTE. 74	SECTION (81-IHVB & 81-IHVB-1)M-1	COUNTY ROCK ISLAND	TOTAL SHEETS 19	SHEET NO. 15
PLOT SCALE = 50.0000' / IN.	CHECKED -	REVISED -	REVISED -		CONTRACT NO. 64E28		FED. ROAD DIST. NO. _____	ILLINOIS FED. AID PROJECT				
PLOT DATE = Tue May 06 10:17:27 2008	DATE -	REVISED -	REVISED -									

TRAFFIC CONTROL AND PROTECTION FOR RAMPS



GENERAL NOTES

CONES AT 8 m (25') CENTERS FOR 105 m (350'). ADDITIONAL CONES MAY BE PLACED AT 15 m (50') CENTERS. WHEN DRUMS OR BARRICADES ARE USED, THE INTERVAL DEVICES MAY BE DOUBLED.

* WIDTH OF CLOSURE SHOWN ON RAMP PATCHING SCHEDULE OR AS DIRECTED BY ENGINEER.

L = CLOSURE WIDTH * TAPER RATIO IS SPEED LIMIT / 1 (POSTED OR ADVISORY)

ANY VISIBLE REPAIRS REQUIRED ON THE SHOULDER BECAUSE OF TRAFFIC SHALL BE PROVIDED AT THE CONTRACTORS EXPENSE. THE ENGINEER SHALL BE THE SOLE JUDGE FOR ANY SHOULDER REPAIRS.

THE RAMP SHALL BE COMPLETELY OPEN TO TRAFFIC BY NIGHTFALL.

TRAFFIC CONTROL AND PROTECTION FOR RAMPS SHALL BE INCLUDED IN THE COST OF STANDARD 701406 OR 701401

SYMBOLS



WORK AREA



SIGN



BARRICADE OR DRUM



CONE, DRUM OR BARRICADE



FLAGGER WITH TRAFFIC CONTROL SIGN

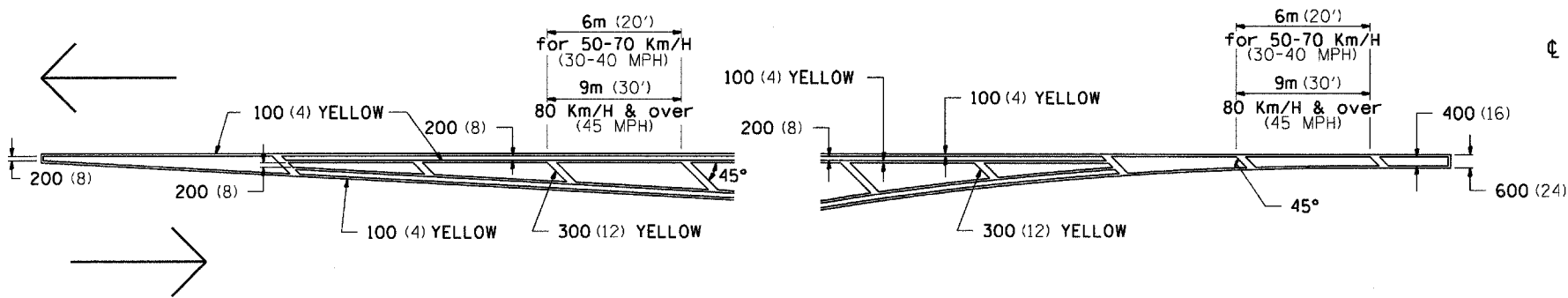
ALL DIMENSIONS ARE IN MILLIMETERS (INCHES) UNLESS OTHERWISE NOTED.

REVISED - 10-15-04

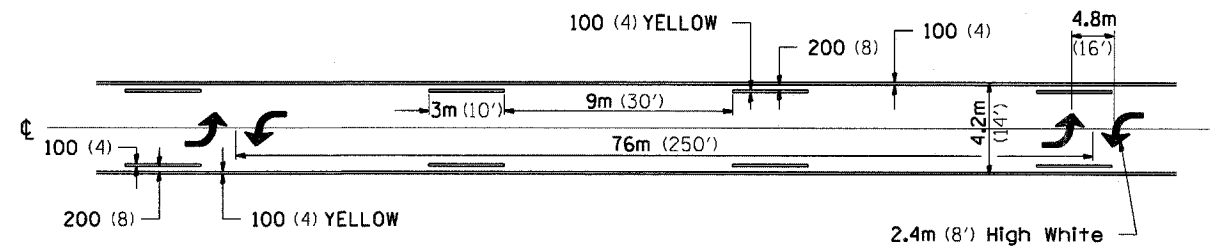
REVISED - ---	REGION 2 / DISTRICT 2 STANDARD	F.A.I. RTE.	SECTION	COUNTY	TOTAL SHEETS	SHEET NO.
REVISED - ---		74	(81-IHVB & 81-IHVB-1)M-1	ROCK ISLAND	19	16
REVISED - ---		CONTRACT NO. 64E28				
REVISED - ---		SCALE: 50,000 : 1 IN	SHEET NO. --- OF --- SHEETS	STA. --- TO STA. ---	FED. ROAD DIST. NO. --- ILLINOIS FED. AID PROJECT	
REVISED - ---						

TYPICAL PAVEMENT MARKINGS

TYPICAL PAVEMENT MARKING FOR FLUSH MEDIAN AT LEFT TURN LANE

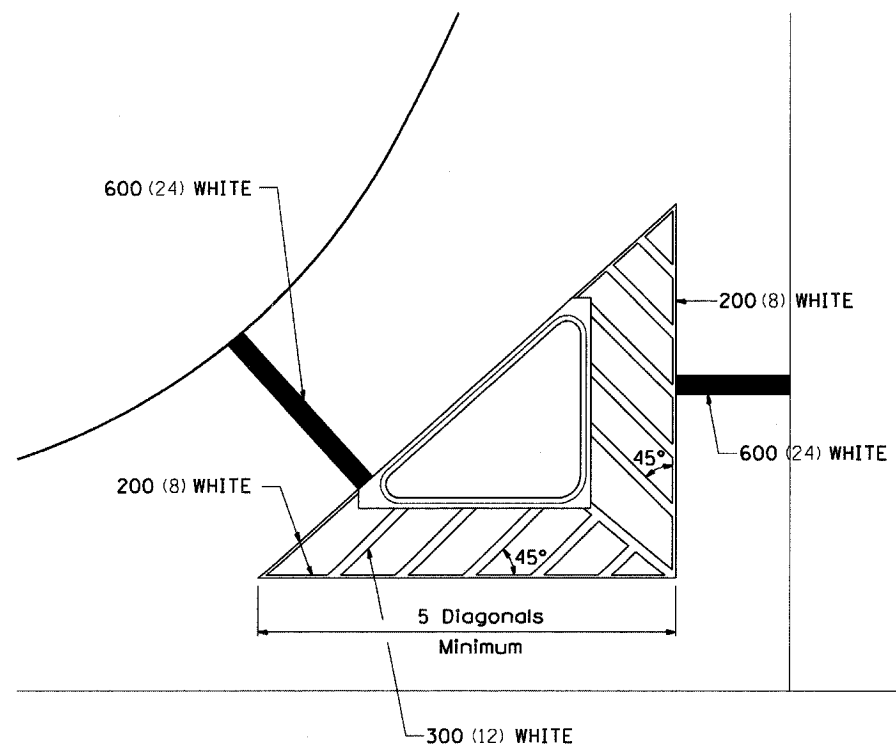


MEDIAN PAVEMENT MARKING

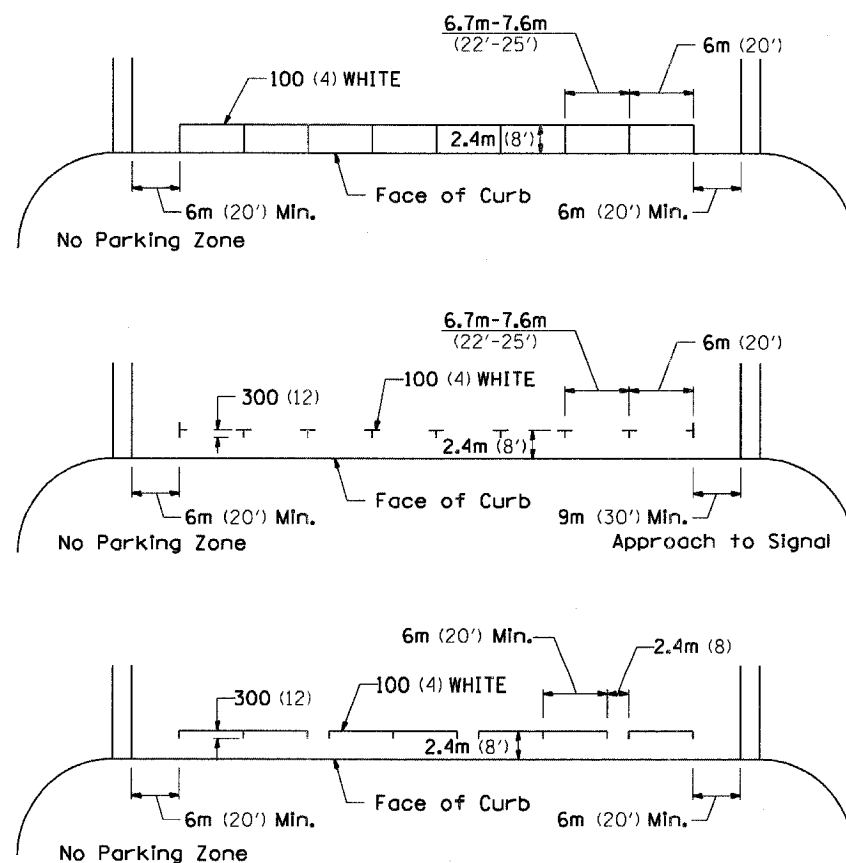


•• ALL DIMENSIONS ARE IN MILLIMETERS (INCHES) UNLESS OTHERWISE NOTED.

TYPICAL ISLAND OFFSET SHOULDER WIDTH

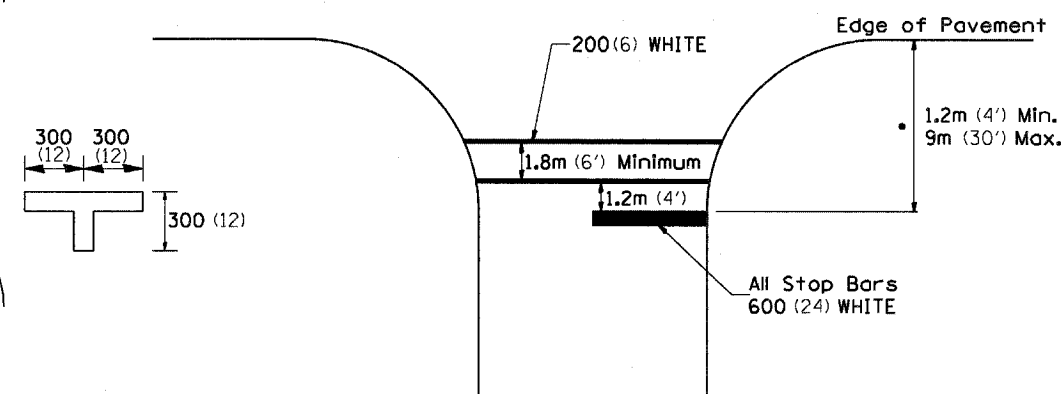


TYPICAL PARKING SPACING



STANDARD CROSSWALK MARKING

See Schedules for Locations

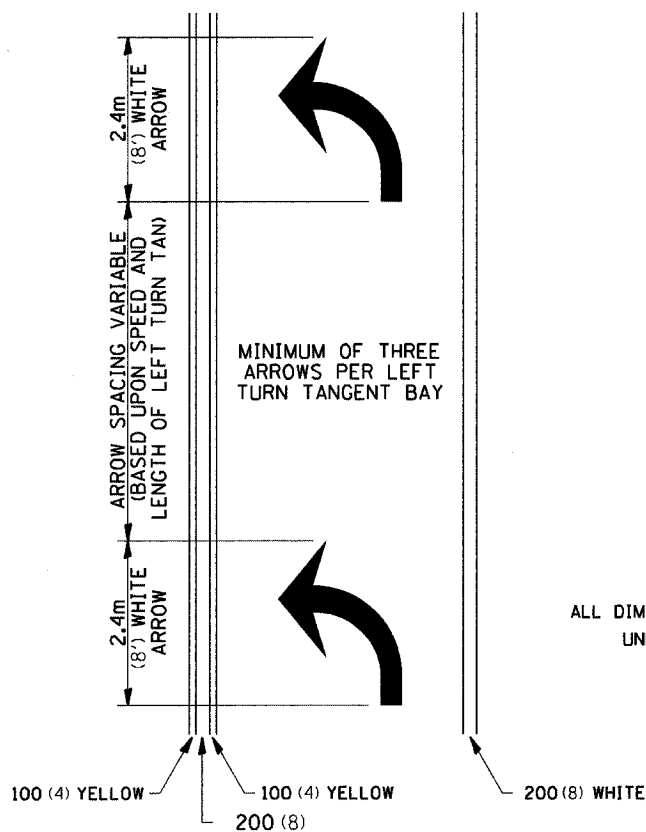


• Distance to the nearest edge of the intersecting roadway in the absence of a marked crosswalk.

FILE NAME =	USER NAME = linkdj	DESIGNED -	REVISED - L-J1-08	STATE OF ILLINOIS DEPARTMENT OF TRANSPORTATION	REGION 2 / DISTRICT 2 STANDARD	F.A.I. RTE.	SECTION	COUNTY	TOTAL SHEETS	SHEET NO.
D:\BR\CADD\plans\Rock Island County\0810142 & 0143\0810142&0143.dgn	DRAWN -	REVISED -	74			(81-1HVB & 81-1HVB-1)M-1	ROCK ISLAND	19	17	
PLOT SCALE = 50.0000' / IN.	CHECKED -	REVISED -	CONTRACT NO. 64E28							
PLOT DATE = Tue May 06 10:17:40 2008	DATE -	REVISED -	ILLINOIS FED. AID PROJECT							
SCALE: _____ SHEET NO. _____ OF _____ SHEETS STA. _____ TO STA. _____										

TYPICAL PAVEMENT MARKINGS

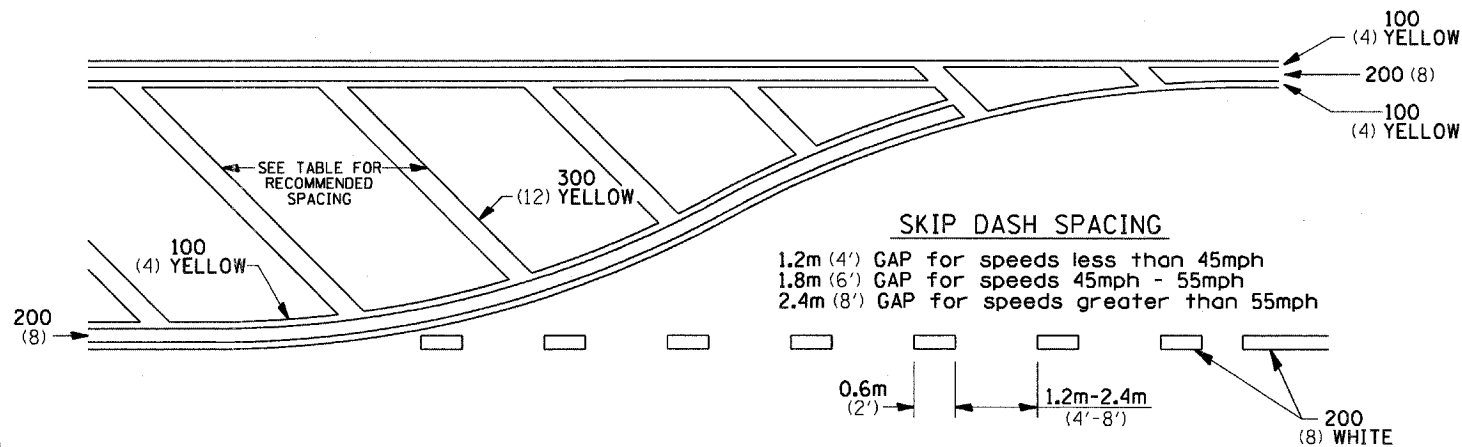
ARROW LAYOUT



- ◀ ONE-WAY AMBER MARKER
- ◁ ONE-WAY CRYSTAL MARKER
- ◆ TWO-WAY AMBER MARKER

ALL DIMENSIONS ARE IN MILLIMETERS (INCHES) UNLESS OTHERWISE NOTED.

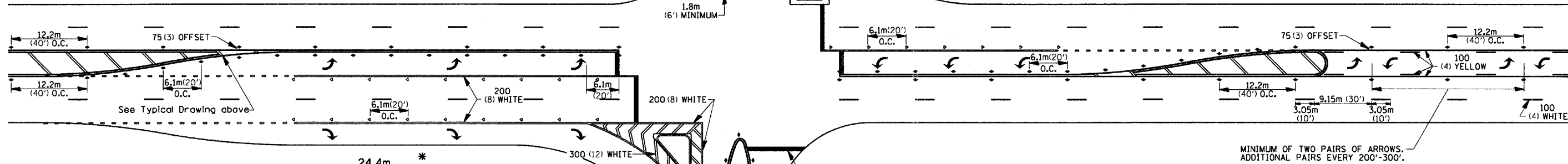
TYPICAL PAVEMENT MARKING FOR FLUSH MEDIAN



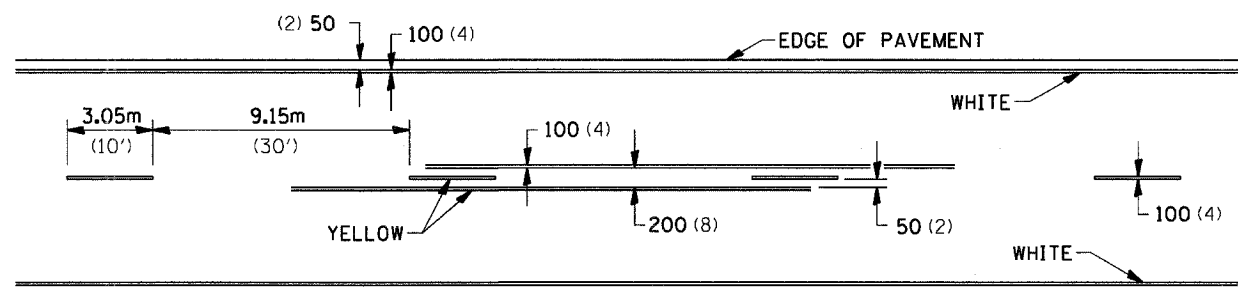
RECOMMENDED SPACING BETWEEN DIAGONALS (IN FEET)

Speed Limit Range	Continuous Median Area	Intersection Channelization	Objects (Islands)
less than 50km/H (30MPH)	15.3m (50')	4.53m (15')	3.05m (10')
50-60km/H (30-40MPH)	22.9m (75')	6.1m (20')	4.53m (15')
70km/H (45MPH) & over	22.9m (75')	9.05m (30')	6.1m (20')

NOTE: If the spacing recommended in the Table does not permit at least five diagonal lines in the area being marked, the spacing from the next lowest speed range should be used. The recommended spacing is measured parallel to the pavement center line.



TYPICAL PAVEMENT MARKING FOR TWO LANE SECTION - NO PASSING ZONES



SYMBOLS

- REDUCE TO 12.2m (40') O.C. ON CURVES WHERE ADVISORY SPEEDS ARE 15km/H (10MPH) LOWER THAN POSTED SPEEDS.
- USE DOUBLE MARKERS WHEN ADT ≥ 25,000

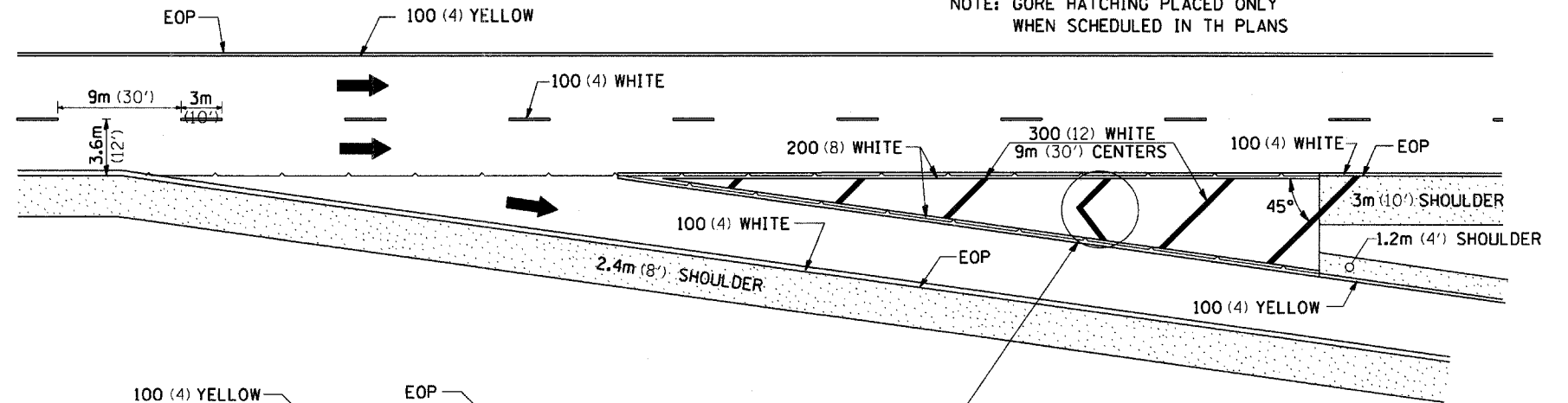
MULTI-LANE / UNDIVIDED

FILE NAME =	USER NAME = linkdj	DESIGNED -	REVISED - L-J1-08	STATE OF ILLINOIS DEPARTMENT OF TRANSPORTATION	REGION 2 / DISTRICT 2 STANDARD	F.A.I. RTE.	SECTION	COUNTY	TOTAL SHEETS	SHEET NO.
GNBR\CADD plans\Rock Island County\081142 & 0143\0810142&0143.dgn	DRAWN -	REVISED -	74			(81-IHVB & 81-IHVB-1)M-1	ROCK ISLAND	19	18	
PLOT SCALE = 50.0000' / IN.	CHECKED -	REVISED -	CONTRACT NO. 64E28							
PLOT DATE = Tue May 06 10:17:47 2008	DATE -	REVISED -	ILLINOIS FED. AID PROJECT							

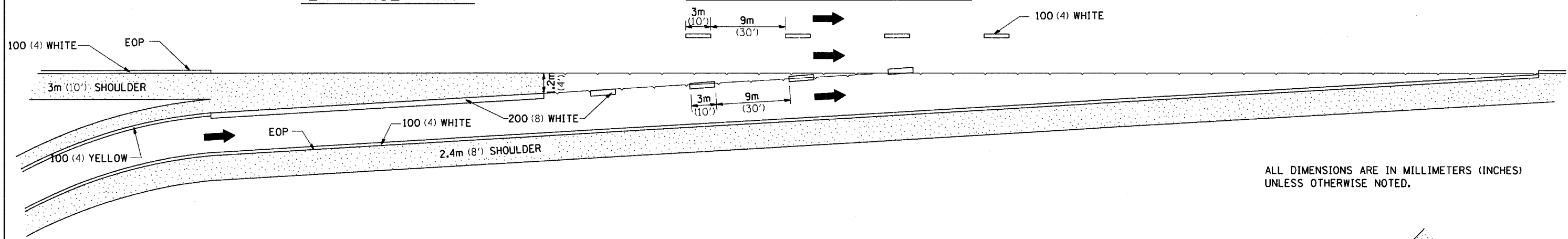
PAINTING DETAILS

EXIT RAMP

NOTE: GORE HATCHING PLACED ONLY WHEN SCHEDULED IN THE PLANS

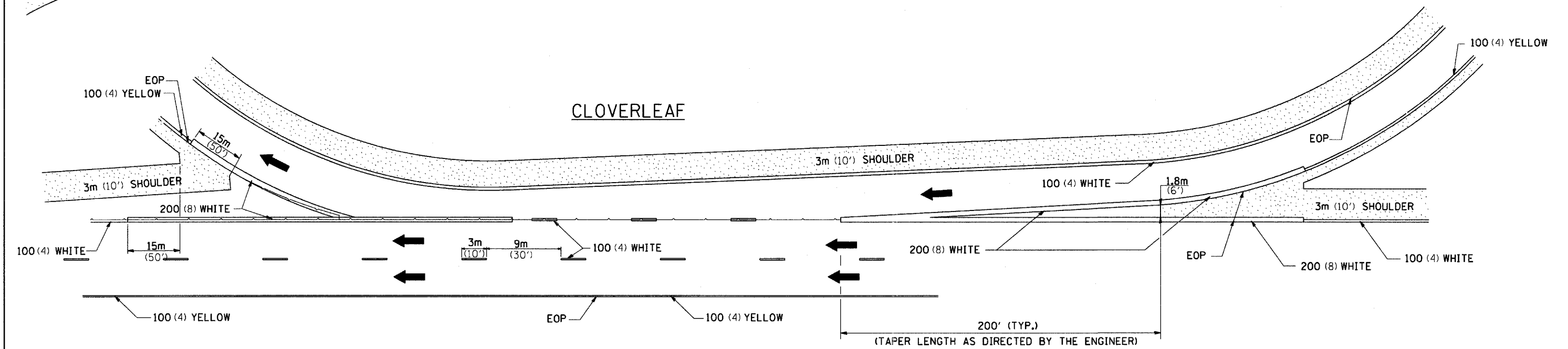


ENTRANCE RAMP



ALL DIMENSIONS ARE IN MILLIMETERS (INCHES) UNLESS OTHERWISE NOTED.

CLOVERLEAF



FILE NAME =	USER NAME = linkd_j	DESIGNED -	REVISED - 6-26-90	STATE OF ILLINOIS DEPARTMENT OF TRANSPORTATION	REGION 2 / DISTRICT 2 STANDARD	F.A.I. RTE.	SECTION	COUNTY	TOTAL SHEETS	SHEET NO.	
D:\BR\CAOD plans\Rock Island County\08142 & 0143\0810142&0143.dgn		DRAWN -	REVISED -			74	(81-IHVB & 81-IHVB-1M-1)	ROCK ISLAND	19	19	
PLOT SCALE = 50,0000' / IN.		CHECKED -	REVISED -			CONTRACT NO. 64E28					
PLOT DATE = Tue May 06 10:17:54 2008		DATE -	REVISED -			FED. ROAD DIST. NO. ILLINOIS FED. AID PROJECT					