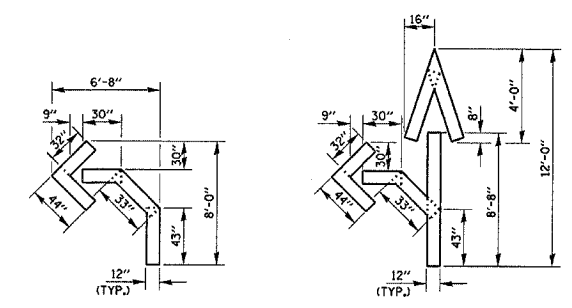


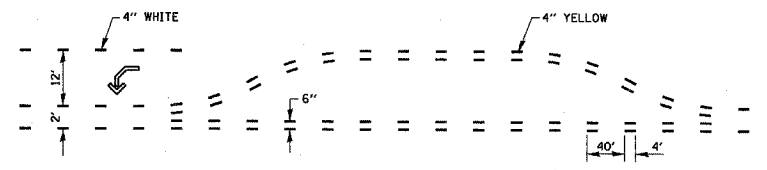
- NOTES:**
1. USE 16 GAUGE STEEL FOR CABINET.
 2. THE TOP SHELF SHALL SLIDE IN OR OUT WITH THE TOP DOOR OPEN.
 3. ALL HINGES AND HASPS WILL BE WELDED TO THE CABINET.
 4. ALL EDGES SHALL BE GROUND SMOOTH.
 5. TWO (2" DIA.) ACCESS HOLES WILL BE REQUIRED FOR EACH SHELF.
 6. CABINET SHALL BE PAINTED WITH TWO COATS OF FLAT PAINT.
 7. 2 EACH MATCHING KEY PADLOCKS, WITH 3 KEYS PROVIDED, MASTER MODEL 3 T OR EQUIVALENT.
 8. 4 EACH PLAIN STEEL, NON-REMOVABLE PIN, NO HOLE 4"x4" SQUARE CORNER HINGES TO BE WELDED ON.
 9. 2 EACH EXTRA HEAVY, PLAIN STEEL, FIXED STAPLE, NO HOLE, 7/4" HASPS TO BE WELDED ON.

LOCKABLE COMPUTER CABINET

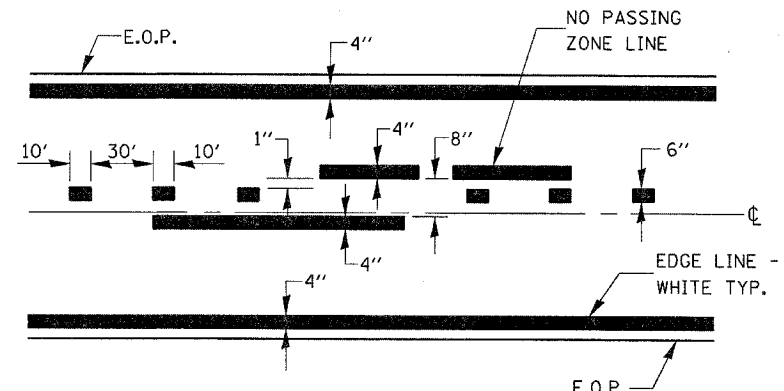


QUANTITY
12" LINE = 16 LIN. FT.
OR 4" LINE = 48 LIN. FT.

QUANTITY
12" LINE = 29 LIN. FT.
OR 4" LINE = 87 LIN. FT.



SHORT-TERM PAVEMENT MARKING FOR MEDIANS AND ARROWS



CENTERLIN & NO PASSING ZONE LINES - YELLOW

(SEE TYPICAL SECTIONS)

PAVEMENT MARKING

FILE NAME =	USER NAME = duncenbd	DESIGNED -	REVISED -	STATE OF ILLINOIS DEPARTMENT OF TRANSPORTATION	STANDARD DETAILS	F.A.P. RTE.	SECTION	COUNTY	TOTAL SHEETS	SHEET NO.
ca\projects\ed02484\consult\cadd drawings\shdtdr.dgn	DRAWN - MAP	REVISOR -	326				FORD	22	21	
PLOT SCALE = 1:2000 / 1" IN.	CHECKED - RRM	REVISOR - BDD 01/28/08	CONTRACT NO. 66423							
PLOT DATE = Mar 11, 2008 - 09:02:29 AM	DATE - 02/26/04	REVISOR -	ILLINOIS FED. AID PROJECT							
				SCALE: N.T.S.	SHEET NO. OF SHEETS STA.	TO STA.				

• (125)RS-5, (126)RS-3 & (127)RS-2