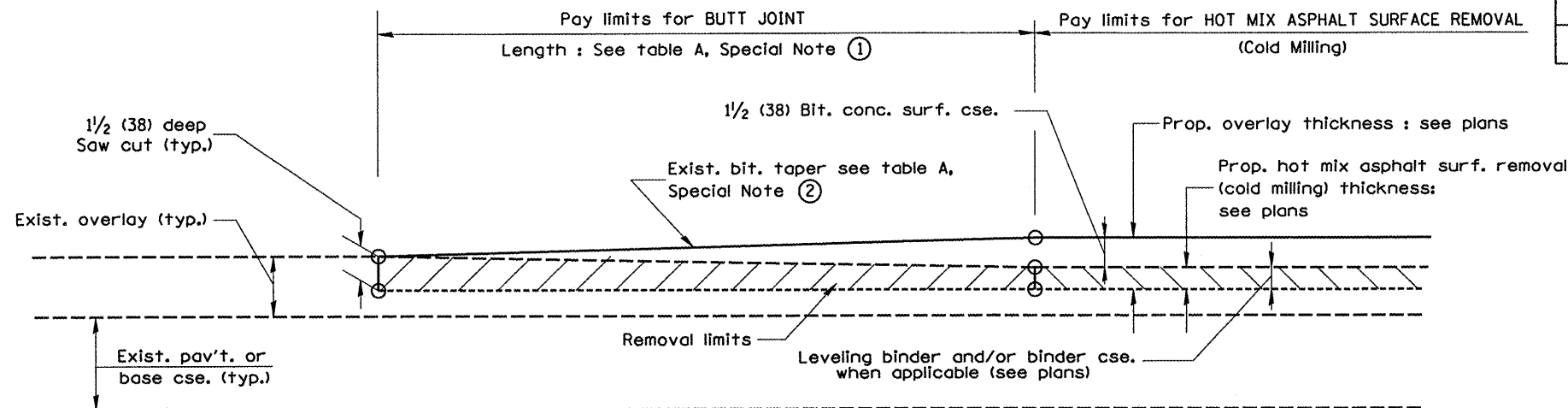
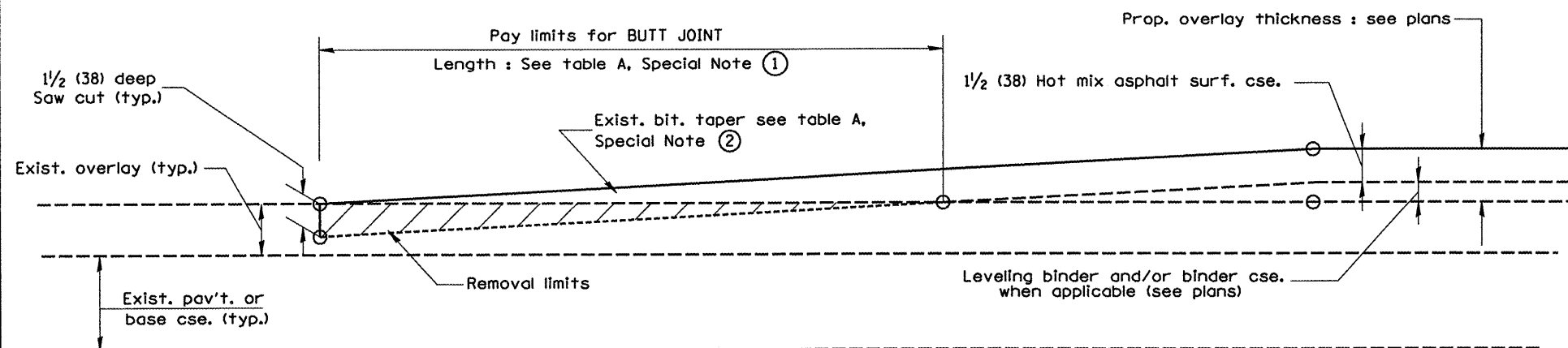


ROUTE		SECTION	COUNTY	SHEET	
MKD.	FAP	103 RS-3	PEORIA	TOTAL	NO.
IL 90	661			21	18

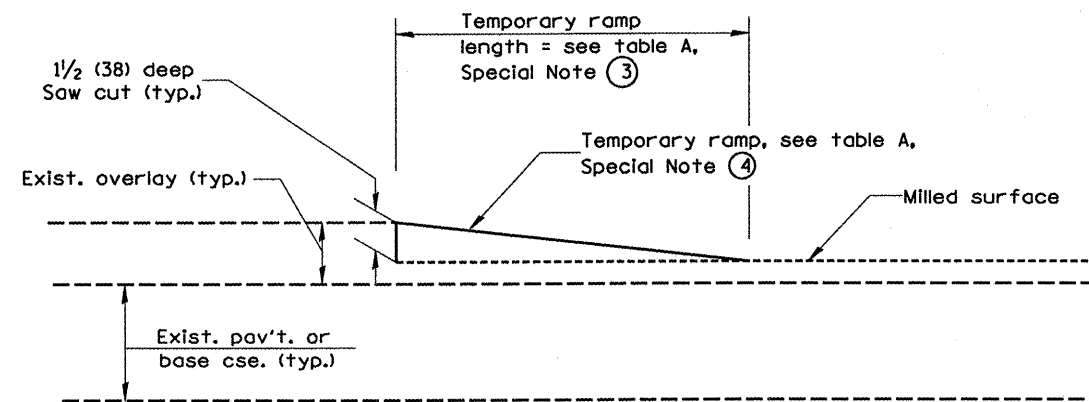
D-94-068-02  
CONTRACT # 68259



**CASE 3 : WITH HOT MIX ASPHALT SURFACE REMOVAL (COLD MILLING)**  
**TIE-IN TO EXISTING BITUMINOUS TAPER**



**CASE 4 : NO HOT MIX ASPHALT SURFACE REMOVAL (COLD MILLING)**  
**TIE-IN TO EXISTING BITUMINOUS TAPER**



**DETAIL TEMPORARY RAMP**

All dimensions are in inches (millimeters)  
unless otherwise noted.

ILLINOIS DEPARTMENT OF TRANSPORTATION  
DISTRICT CADD STANDARD

BUTT JOINTS  
CADD STD NO. 406101-D4 SHEET 2 OF 3  
SCALE: NOT DRAWN TO SCALE DRAWN BY CADD  
CHECKED BY