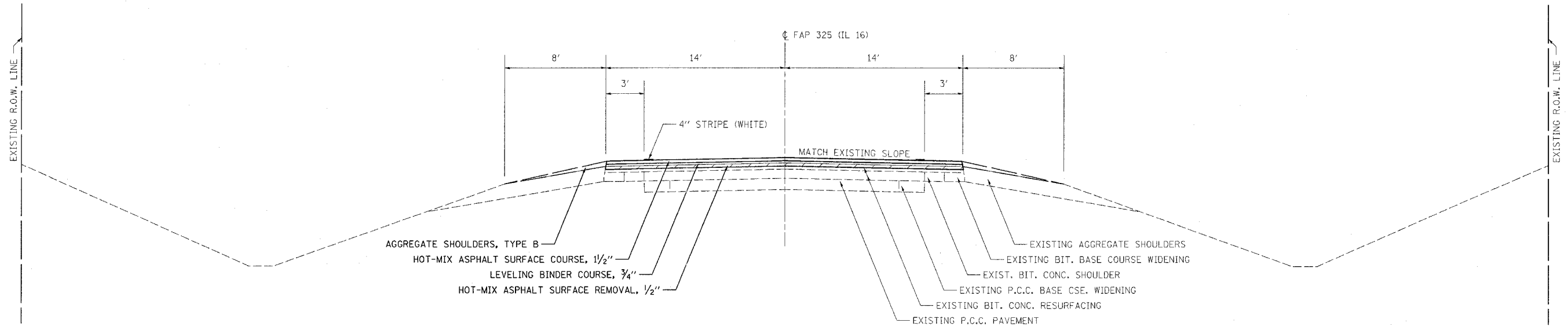
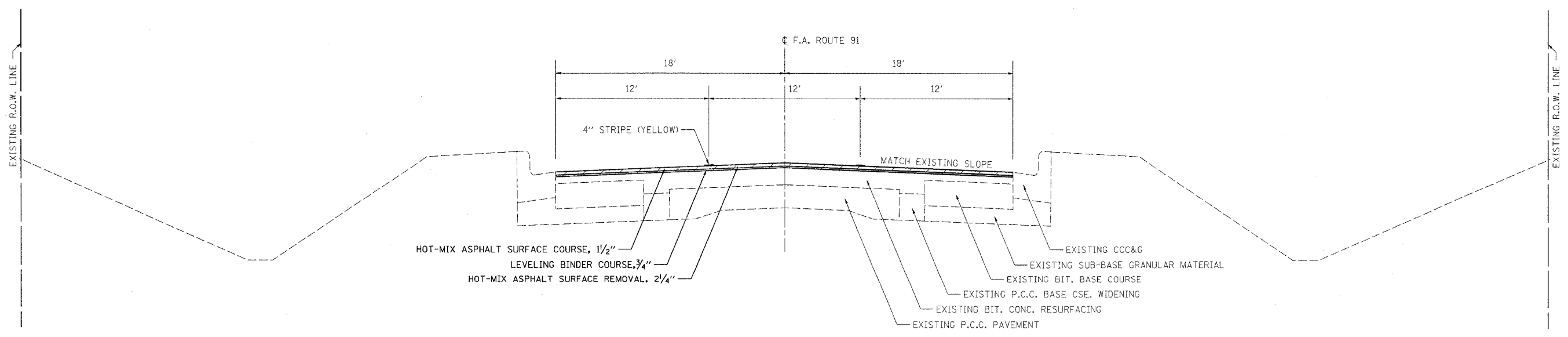


PROPOSED TYPICAL CROSS SECTIONS
 STATION 906+45 TO STATION 941+39
 STATION 965+32 TO STATION 972+91.99



PROPOSED TYPICAL CROSS SECTIONS
 STATION 974+28.02 TO STATION 983+48.68



FILE NAME =	USER NAME = steffennk	DESIGNED -	REVISED -	STATE OF ILLINOIS DEPARTMENT OF TRANSPORTATION	TYPICAL SECTIONS			F.A.P. RTE.	SECTION	COUNTY	TOTAL SHEETS	SHEET NO.
c:\projects\74227\d\shhtypicals.74227.dgn		DRAWN -	REVISED -					325	(12)RS-7	SHELBY	34	4
		CHECKED -	REVISED -		SCALE: SHEET NO. OF SHEETS STA. TO STA.			CONTRACT NO. 74227		FED. ROAD DIST. NO. ILLINOIS FED. AID PROJECT		
		DATE -	REVISED -									