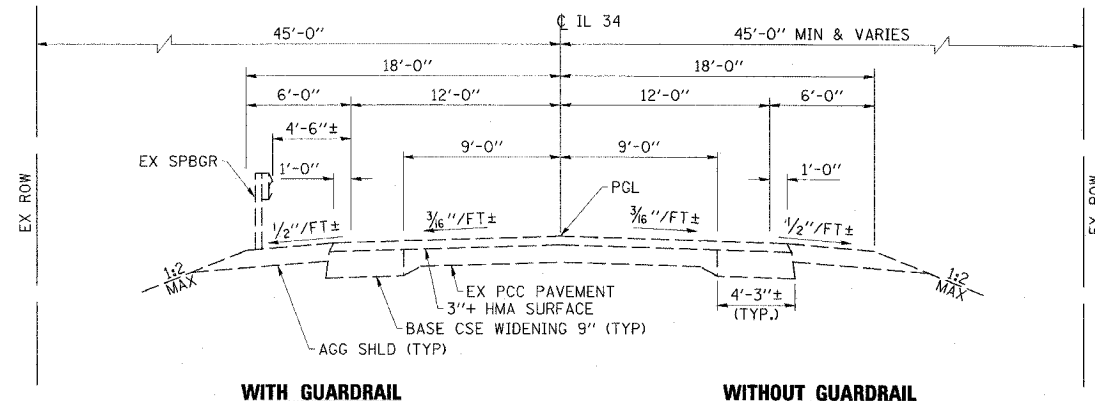


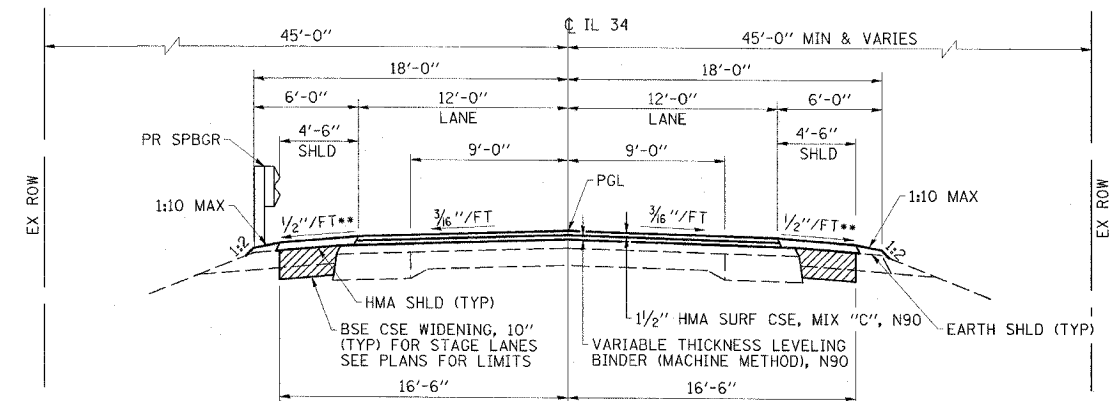


CONTRACT NO. 78031

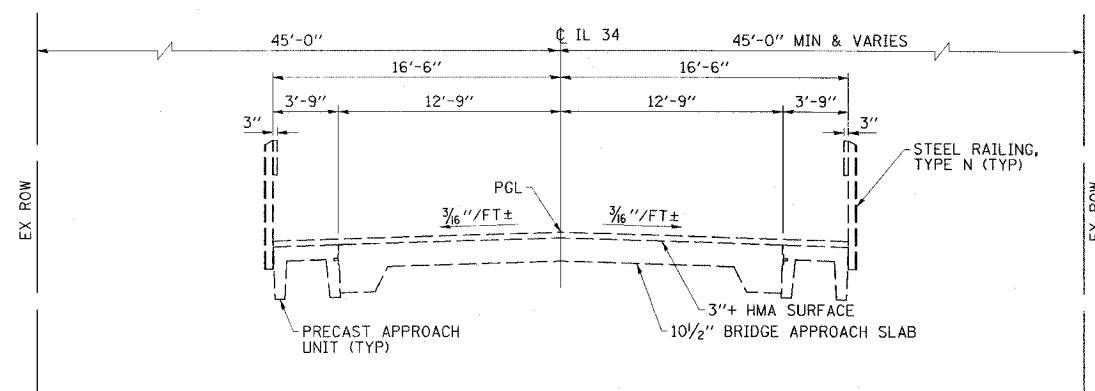
FAP RTE	SECTION	COUNTY	TOTAL SHEETS	SHEET NO.
869	*	SALINE	118	5
STA.		TO STA.		
FED. ROAD DIST. NO.		ILLINOIS FED. AID PROJECT		
* 105BR-1, 105BR-2, 105BR-3				



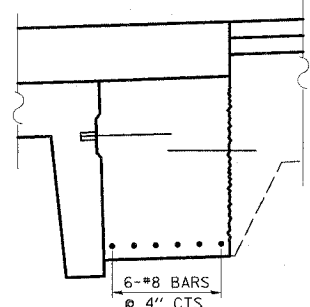
EXISTING TYPICAL ROADWAY SECTION
 STA 1535+00.00 TO 1587+00.00
 OMISSION STA 1541+52.59 TO 1542+46.35 (SN 083-0037)
 OMISSION STA 1560+62.16 TO 1562+77.84 (SN 083-0038)
 OMISSION STA 1573+41.56 TO 1574+58.44 (SN 083-0039)



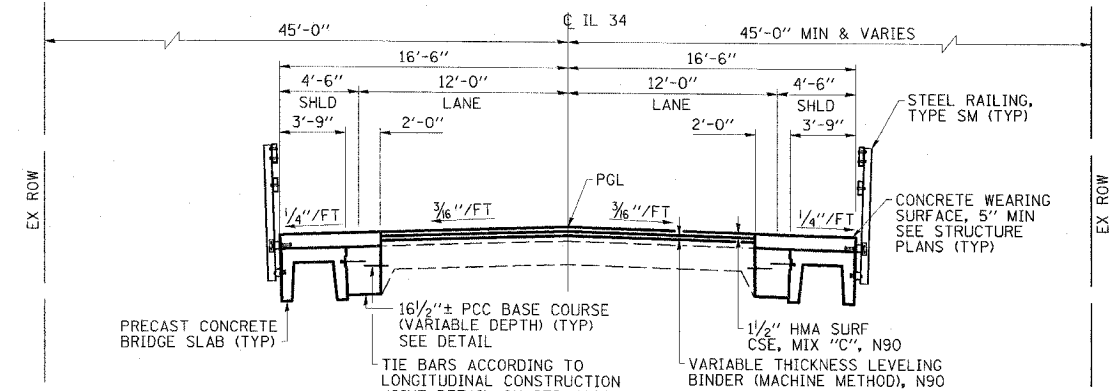
PROPOSED TYPICAL ROADWAY SECTION
 STA 1540+75.00 TO 1541+52.59 AND STA 1542+46.35 TO 1543+40.00
 STA 1559+10.00 TO 1560+62.16 AND STA 1562+77.84 TO 1563+85.00
 STA 1572+86.00 TO 1573+41.56 AND 1574+58.44 TO 1575+09.00



EXISTING BRIDGE APPROACH SECTION
 STA 1541+52.59 TO 1542+46.35
 BRIDGE OMISSION STA 1541+73.28 TO 1542+26.72
 STA 1560+62.16 TO 1562+77.84
 BRIDGE OMISSION STA 1560+62.16 TO 1562+77.84
 STA 1573+41.56 TO 1574+58.44
 BRIDGE OMISSION STA 1573+62.10 TO 1574+37.90



PCC BASE COURSE DETAIL



PROPOSED BRIDGE APPROACH SECTION
 STA 1541+52.59 TO 1542+46.35
 BRIDGE OMISSION STA 1541+73.28 TO 1542+26.72
 STA 1560+62.16 TO 1562+77.84
 BRIDGE OMISSION STA 1560+92.40 TO 1562+47.60
 STA 1573+41.56 TO 1574+58.44
 BRIDGE OMISSION STA 1573+62.10 TO 1574+37.90

HMA MIXTURES REQUIREMENTS

LOCATION(S):	HOT MIX ASPHALT SURFACE COURSE AND LEVELING BINDER	BASE COURSE WIDENING	HOT MIX ASPHALT SHOULDERS
MIXTURE USE(S):	HOT MIX ASPHALT SURFACE COURSE, MIX C, N90	HOT MIX ASPHALT BINDER COURSE, N90, IL-19.0	HOT MIX ASPHALT SHOULDERS
AC/PG:	PG64-22	PG64-22	PG58-22
RAP % (MAX): ***	10	10	50
DESIGN AIR VOIDS:	4.0%, 90 GYRATION DESIGN	4.0%, 90 GYRATION DESIGN	2.0%, 30 GYRATION DESIGN
MIXTURE COMPOSITION: (GRADATION MIXTURE)	IL-9.5 OR IL - 12.5	IL-19.0	HMA SHOULDERS
FRICTION AGGREGATE:	C SURFACE	NONE	NONE

*** IF RAP OPTION IS SELECTED, THE ASPHALT CEMENT GRADE MAY NEED TO BE ADJUSTED. THIS WILL BE DETERMINED BY THE ENGINEER.

TYPICAL SECTIONS
 FAP RTE 869 (IL 34)
 SECTIONS 105BR-1,
 105BR-2, 105BR-3
 SALINE COUNTY

ESCA
 CONSULTANTS, INC.

DESIGNED BY:	DAG	02/08
DRAWN BY:	JPC	02/08
CHECKED BY:	MTD	02/08
APPROVED BY:	RDP	04/08

DATE = 02/08
 SCALE = AS SHOWN
 REFERENCE = *REFS