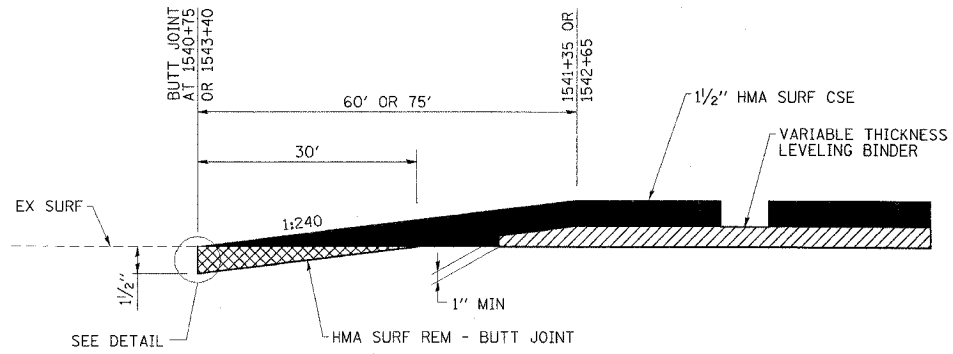
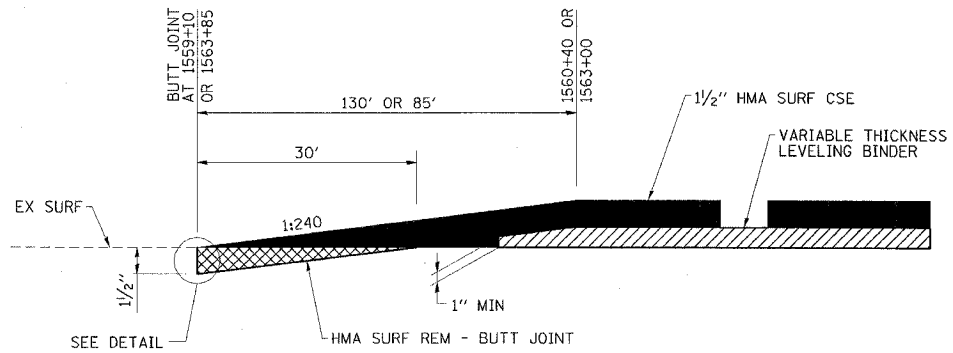




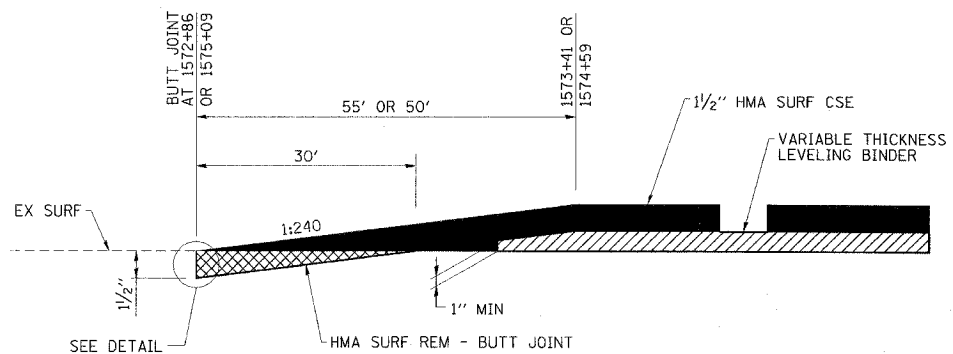
CONTRACT NO. 78031			
FAP RTE	SECTION	COUNTY	TOTAL SHEET NO.
869		SALINE	118 22
STA.	TO STA.		
FED. ROAD DIST. NO.	ILLINOIS	FED. AID PROJECT	
• 105BR-1, 105BR-2, 105BR-3			



TYPICAL BUTT JOINT SECTION - SN 083-0037



TYPICAL BUTT JOINT SECTION - SN 083-0038



TYPICAL BUTT JOINT SECTION - SN 083-0039

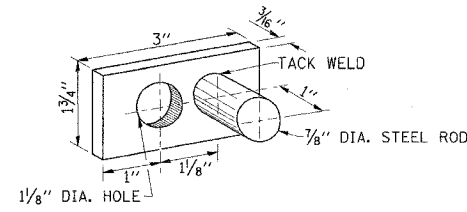
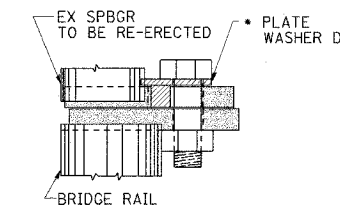


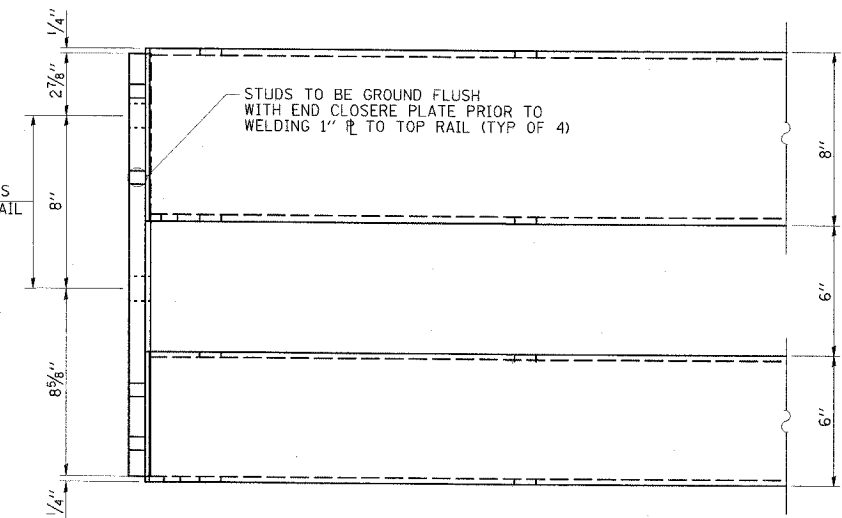
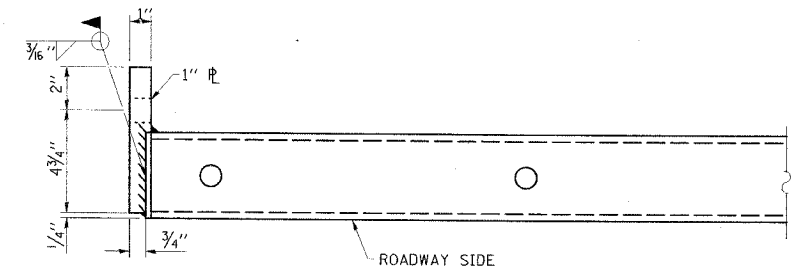
PLATE WASHER D



PLACEMENT OF PLATE WASHER D (PLAN)

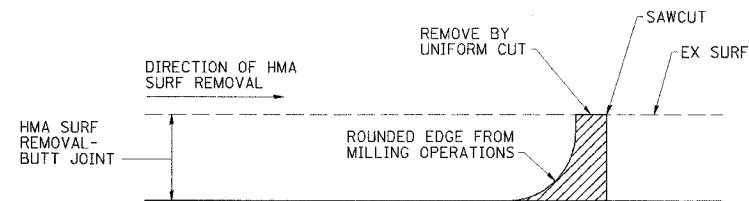
- INSTALL PLATE WASHER D SO THAT THE 1" PROJECTION FILLS THE REMAINDER OF THE SLOTTED HOLES IN THE 1" END PLATE AFTER THE 1" DIA. BOLTS ARE IN PLACE

1 1/8" DIA. HOLES FOR 1" DIA. x 4" ROUND HEAD BOLTS PROVIDE 2 "FLAT WASHERS" & "LOCKNUTS" FOR GUARD RAIL CONNECTION



END OF BRIDGE RAIL DETAIL

SPECIAL GUARDRAIL CONNECTION DETAILS (REQ'D AT NE CORNER SN 083-0037 ONLY)



DETAIL AT BUTT JOINT

NOTE: WHEN MILLING OPERATIONS PRODUCE A ROUNDED EDGE, THEN A SAWCUT SHALL BE USED TO MANUFACTURE A PERPENDICULAR EDGE AS SHOWN IN THE DETAIL. THE COST OF ALL WORK SHOWN IN THE DETAIL IS INCLUDED IN HOT-MIX ASPHALT SURFACE REMOVAL - BUTT JOINT. THE ENGINEER SHALL BE THE SOLE JUDGE CONCERNING THE USE OF THIS DETAIL.

MISCELLANEOUS DETAILS

FAP RTE 869 (IL 34)
 SECTIONS 105BR-1,
 105BR-2, 105BR-3
 SALINE COUNTY

ESCA
 CONSULTANTS, INC.

DESIGNED BY:	DAJ	02/08
DRAWN BY:	CJG/JPC	02/08
CHECKED BY:	MTD	02/08
APPROVED BY:	RDP	04/08

PLOT DATE = #DATE#
 PLOT SCALE = #SCALE#
 REFERENCE = #REF#