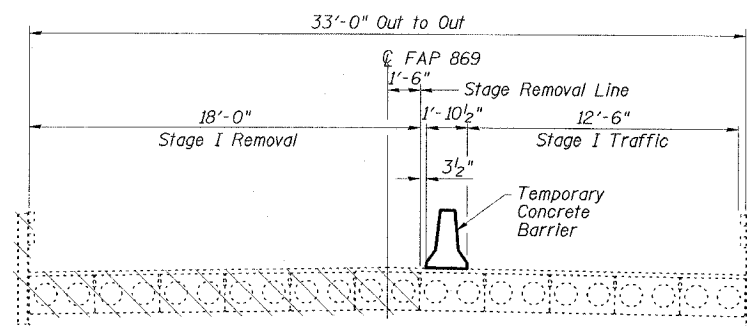
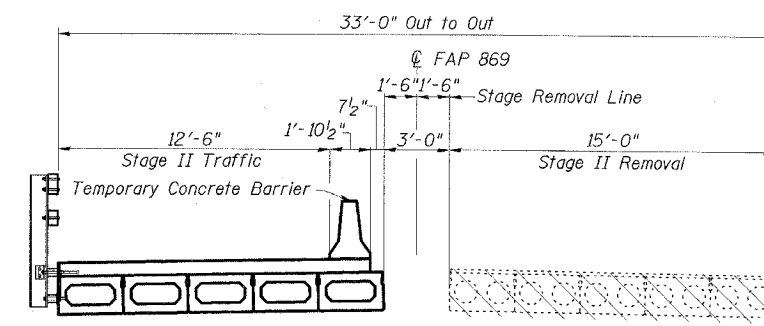


STATE OF ILLINOIS
DEPARTMENT OF TRANSPORTATION

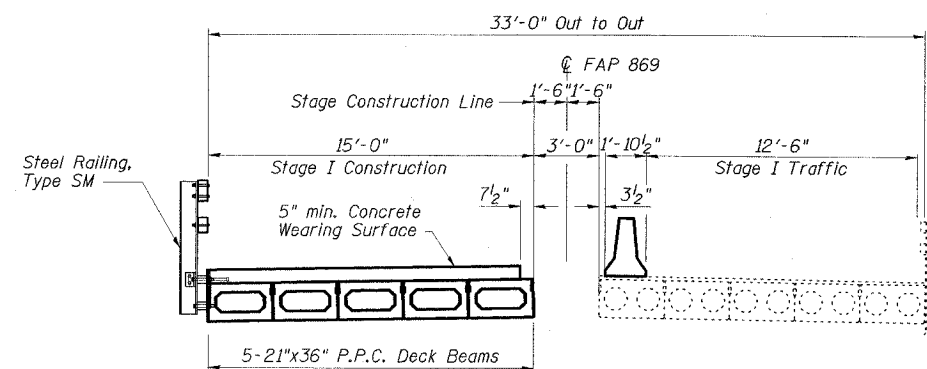
ROUTE NO.	SECTION	COUNTY	SHEETS	SHEET	SHEET NO. 3 18 SHEETS
FAP 869	105BR-1	SALINE	118	25	
FED. ROAD DIST. NO. 19		ILLINOIS	FED. AID PROJECT - AID		78031



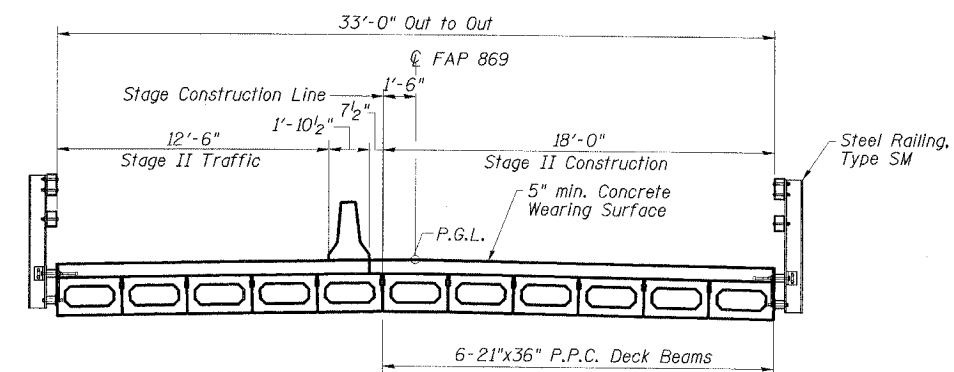
STAGE I REMOVAL



STAGE II REMOVAL



STAGE I CONSTRUCTION



STAGE II CONSTRUCTION

STAGE CONSTRUCTION NOTES

1. All staging sections are looking South.
2. See Dwg. No. 5 of 18 for shear key clamping details.
3. For quantity of Temporary Concrete Barrier, see Roadway Plans.

ESCA CONSULTANTS, INC.		
DESIGNED BY:	JMS	02/08
DRAWN BY:	HAS	02/08
CHECKED BY:	ELH	02/08
APPROVED BY:	RDP	02/08

STAGE CONSTRUCTION DETAILS
IL 34 OVER
MIDDLE FORK SALINE RIVER OVERFLOW
FAP ROUTE 869 - SECTION 105BR-1
SALINE COUNTY
STATION 1542+00.00
STRUCTURE NO. 083-0037