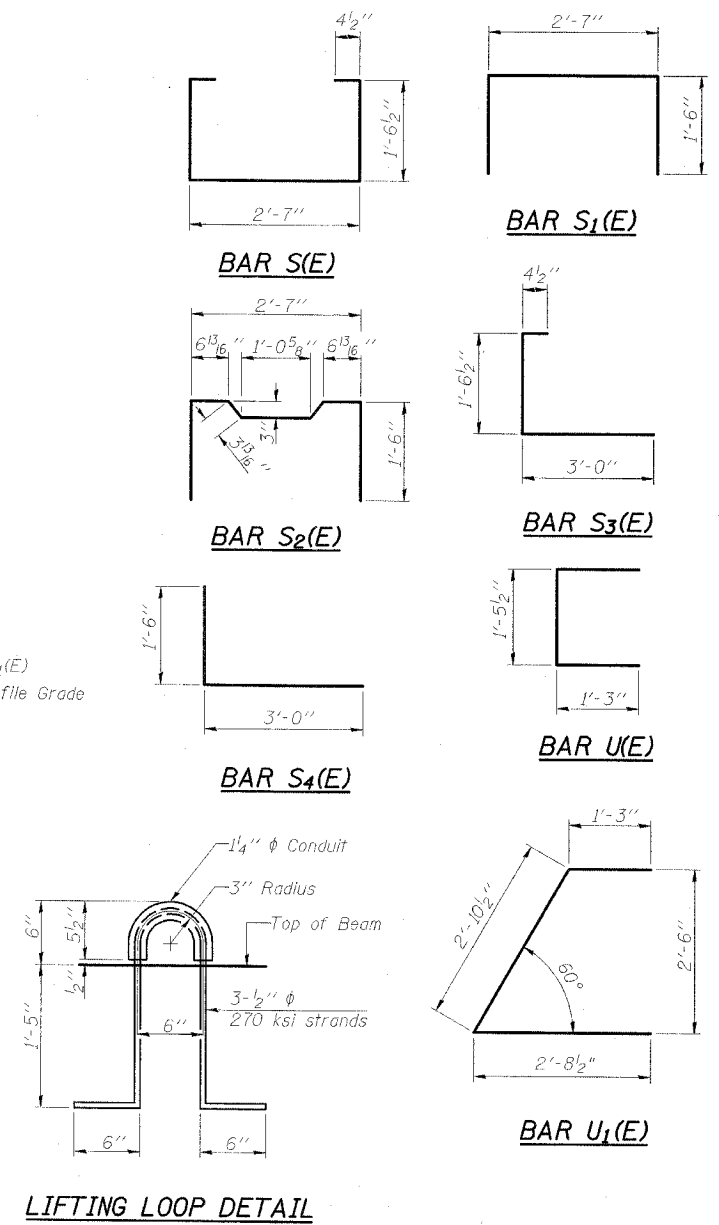
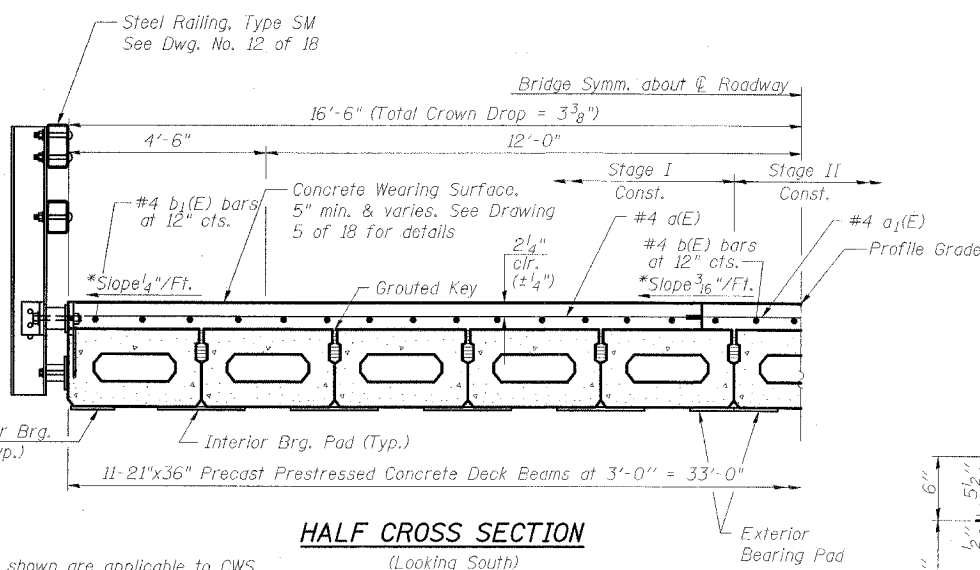
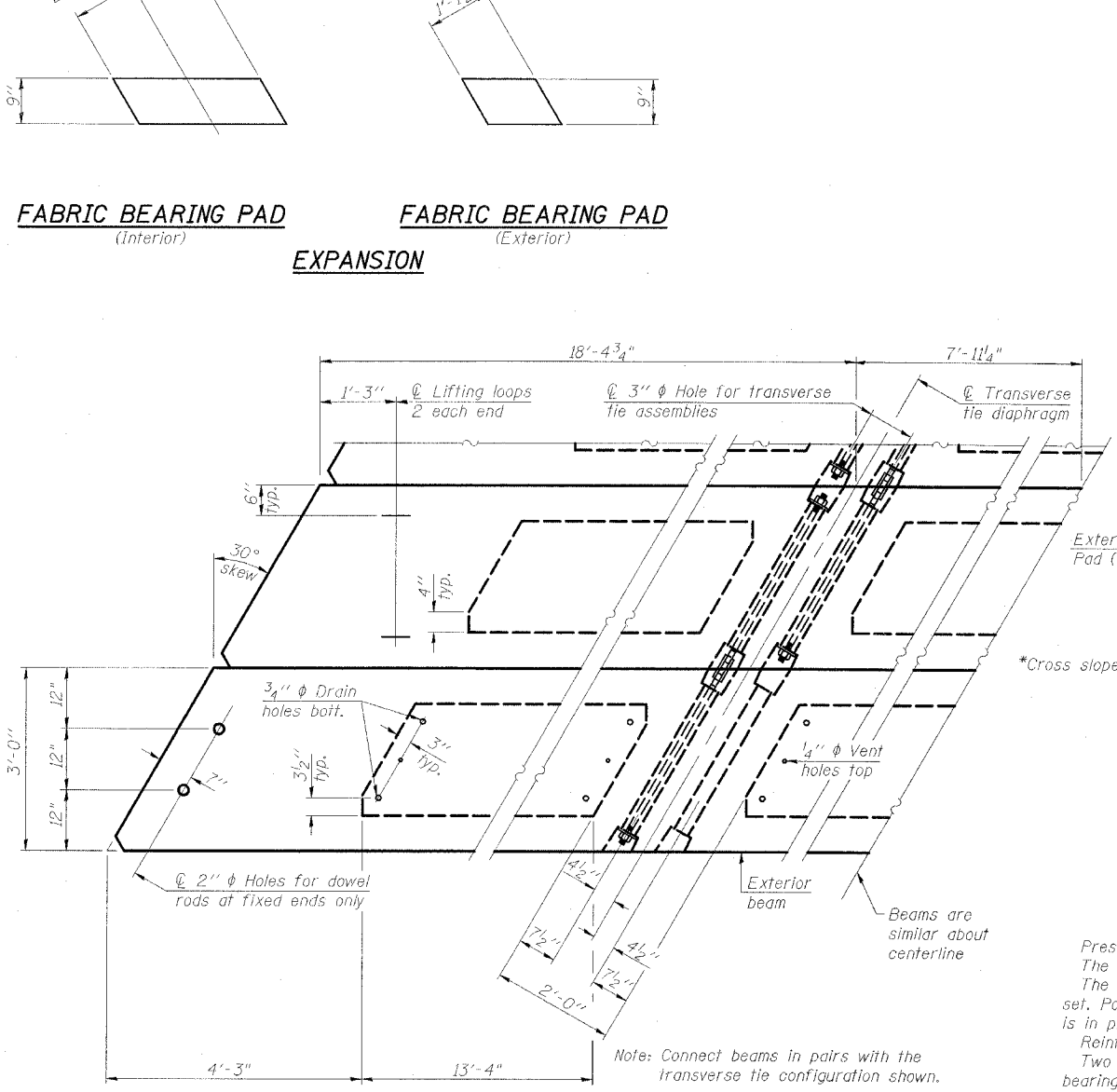
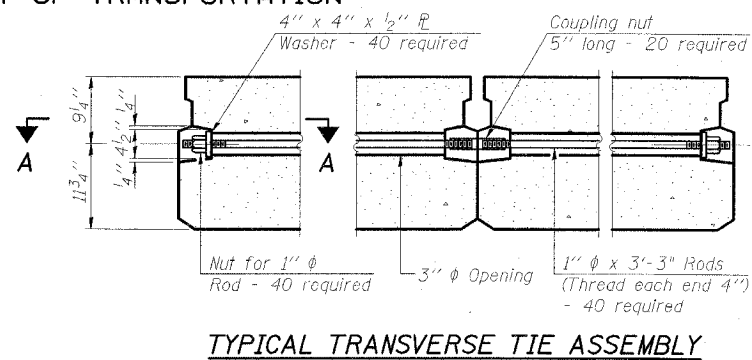
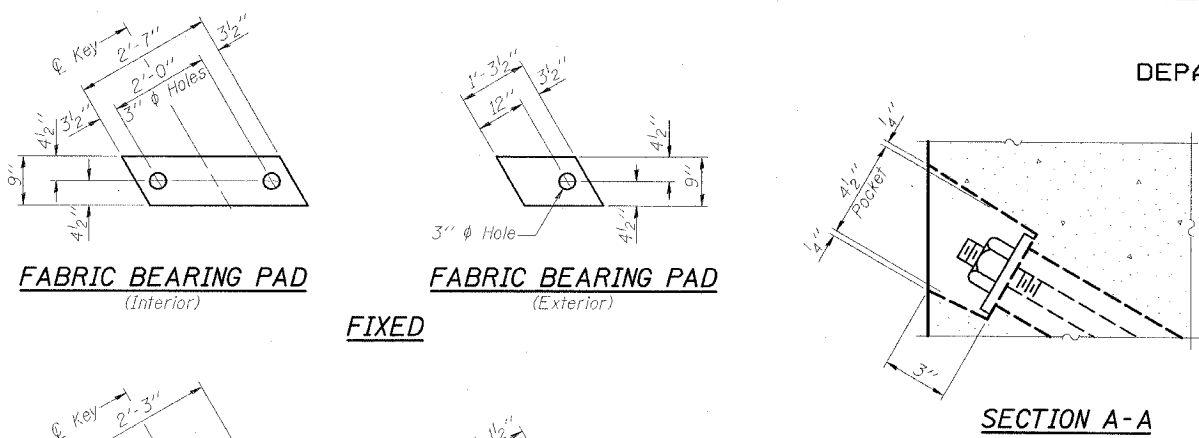


STATE OF ILLINOIS
DEPARTMENT OF TRANSPORTATION

ROUTE NO.	SECTION	COUNTY	STATION	SHEET NO.
FAP 869	105BR-1	SALINE	118	29
FED. ROAD DIST. NO.	ILLINOIS	FED. AID PROJECT	AMT	
				78031



NOTES

Prestressing steel shall be uncoated high strength, low relaxation 7-wire strand, Grade 270. The nominal diameter shall be 1/2" and the nominal cross-sectional area shall be 0.153 sq. in. The 1" φ rods in the transverse tie assembly shall be tightened to a snug fit and the threads set. Pockets on exterior faces of bridge shall be filled with grout after transverse tie assembly is in place.

Reinforcement bars shall conform to ASTM A 706 (IL MOD), Grade 60. (See Special Provisions)

Two 1/8" fabric adjusting shims of the dimensions of the exterior bearing pad shall be provided for each bearing pad location.

A minimum 2 1/2" φ lifting pin shall be used to engage the lifting loops during handling.

Corrosion Inhibitor, per Article 1020.05(b)(12) and 1021.06 of the Standard Specifications, shall be used in the concrete for precast prestressed concrete deck beams.

Compressive strength of prestressed concrete, f'_c, shall be 6000 psi.

Compressive strength of prestressed concrete at release, f'_{ci}, shall be 5000 psi.

See Dwg. No. 2 of 18 for location of rail anchors and additional notes.

BILL OF MATERIAL

Item	Unit	Quantity
Precast Prestressed Conc. Deck Bms. (21" Depth)	Sq. Ft.	1738

SUPERSTRUCTURE DETAILS
IL 34 OVER
MIDDLE FORK SALINE RIVER OVERFLOW
FAP ROUTE 869 - SECTION 105BR-1
SALINE COUNTY
STATION 1542+00.00
STRUCTURE NO. 083-0037

ESCA
CONSULTANTS, INC.

DESIGNED BY:	JMS	02/08
DRAWN BY:	HAS	02/08
CHECKED BY:	ELH	02/08
APPROVED BY:	RDP	02/08