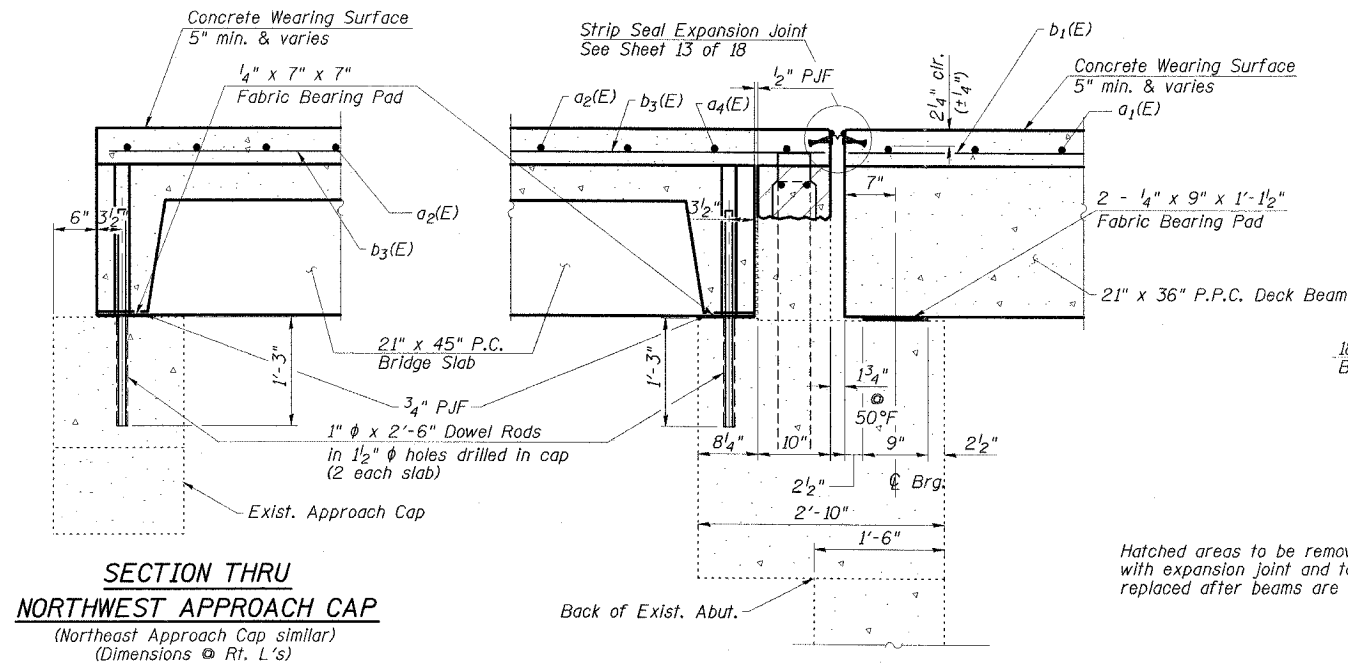


STATE OF ILLINOIS
DEPARTMENT OF TRANSPORTATION

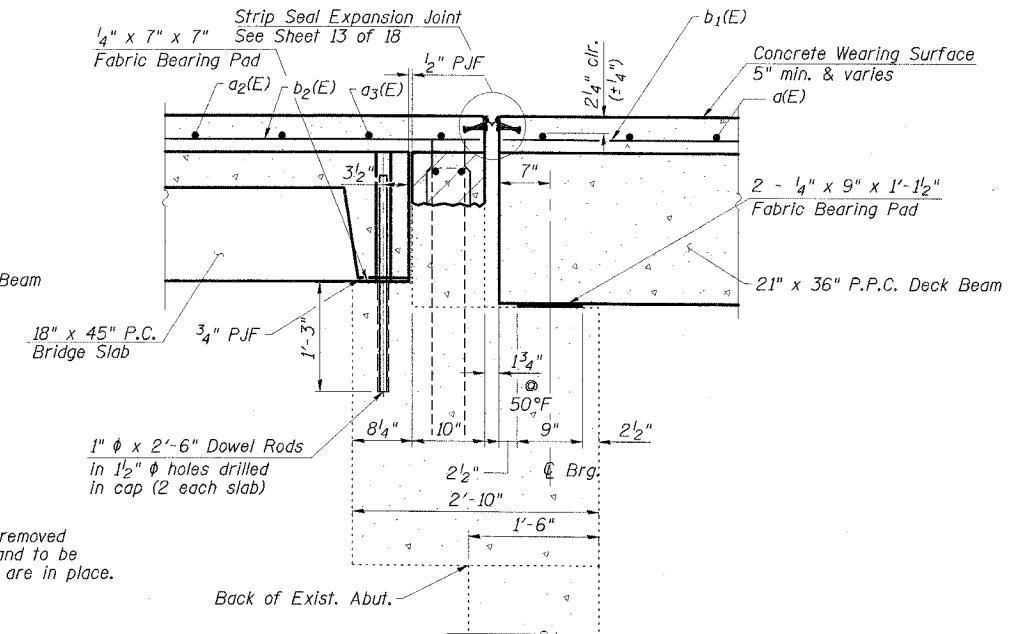
ROUTE NO.	SECTION	COUNTY	SHEET	SHEET NO.
FAP 869	105BR-1	SALINE	118	32
FED. ROAD DIST. NO. 4				ILLINOIS
FED. AID PROJECT - AID				18 SHEETS

78031

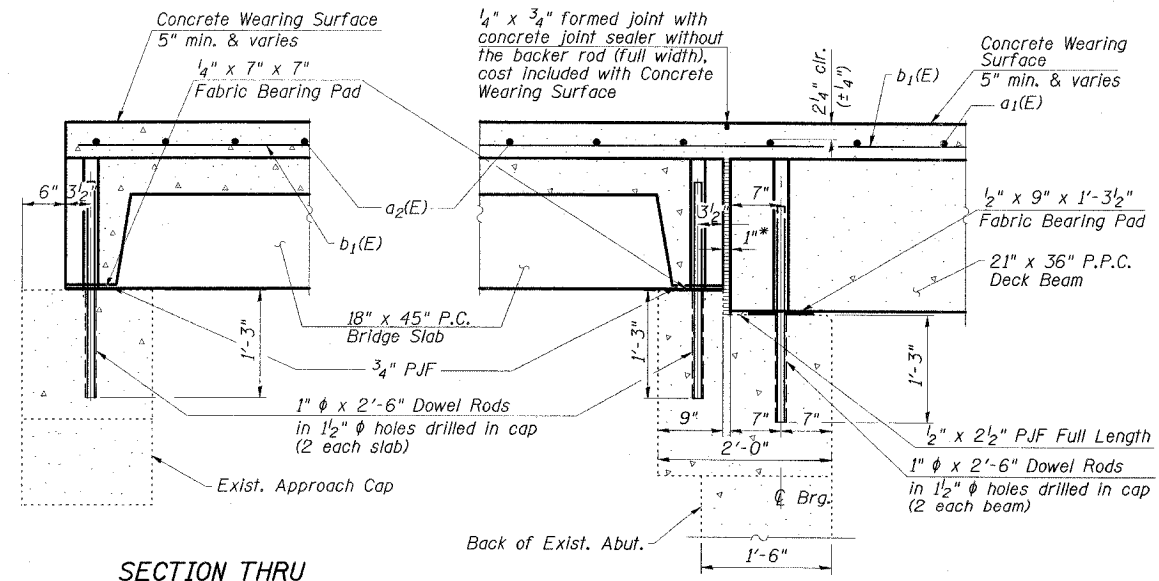


SECTION THRU NORTHWEST APPROACH CAP
(Northeast Approach Cap similar)
(Dimensions @ Rt. L's)

SECTION THRU NORTH ABUTMENT WEST OUTSIDE BEAM
(Dimensions @ Rt. L's)

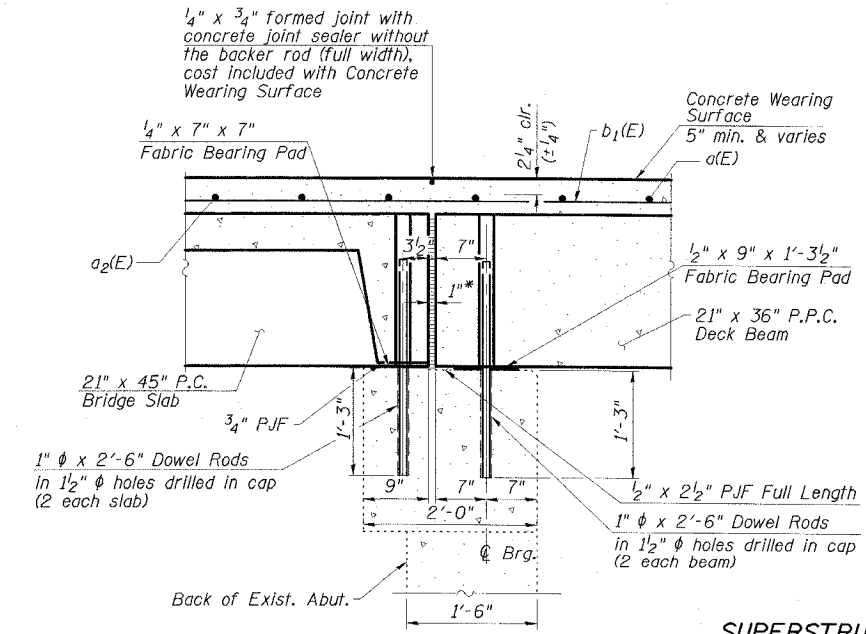


SECTION THRU NORTH ABUTMENT EAST OUTSIDE BEAM
(Dimensions @ Rt. L's)



SECTION THRU SOUTHWEST APPROACH CAP
(Southeast Approach Cap similar)
(Dimensions @ Rt. L's)

SECTION THRU SOUTH ABUTMENT WEST OUTSIDE BEAM
(Dimensions @ Rt. L's)



SECTION THRU SOUTH ABUTMENT EAST OUTSIDE BEAM
(Dimensions @ Rt. L's)

SUPERSTRUCTURE AND APPROACH DETAILS

IL 34 OVER
MIDDLE FORK SALINE RIVER OVERFLOW
FAP ROUTE 869 - SECTION 105BR-1
SALINE COUNTY
STATION 1542+00.00
STRUCTURE NO. 083-0037

*1" Joint shall be filled w/ non-shrink grout, 1" dimension may vary to accommodate variation in beam lengths.

ESCA
CONSULTANTS, INC.

DESIGNED BY:	JMS	02/08
DRAWN BY:	HAS	02/08
CHECKED BY:	ELH	02/08
APPROVED BY:	RDP	02/08