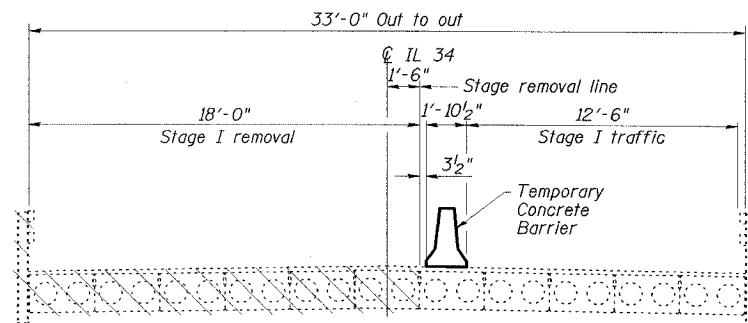


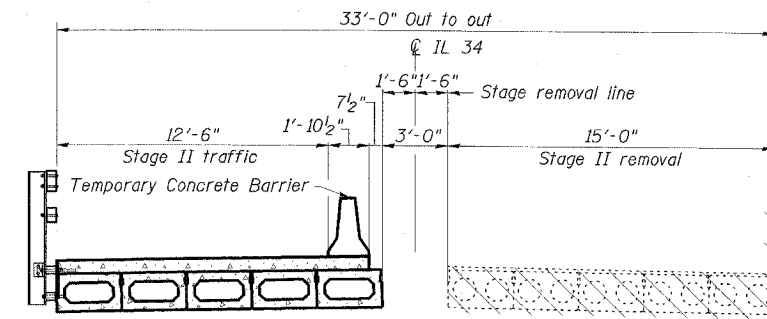
STATE OF ILLINOIS
DEPARTMENT OF TRANSPORTATION

ROUTE NO.	SECTION	COUNTY	SHEET	SHEET NO.
FAP 869	105BR-2	SALINE	118	52
FED. ROAD DIST. NO. 9		ILL. ROAD DIST. NO. 10	FED. AID PROJECT - AID	

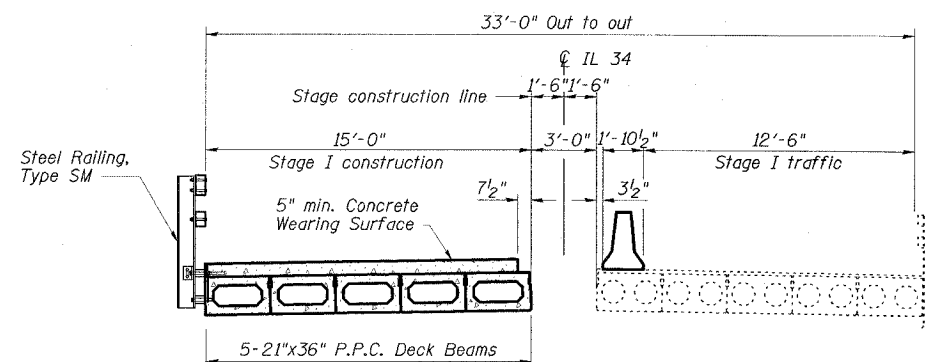
78031



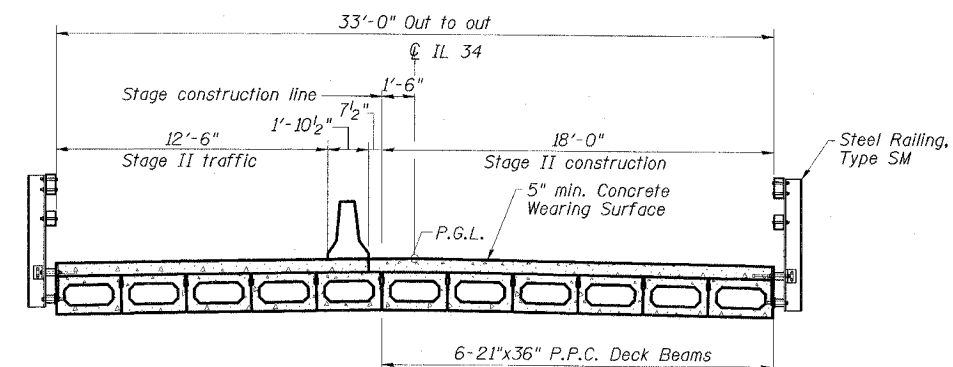
STAGE I REMOVAL



STAGE II REMOVAL



STAGE I CONSTRUCTION



STAGE II CONSTRUCTION

STAGE CONSTRUCTION NOTES

1. Beams from Spans 1 and 3 shown; Span 2 similar.
2. All staging sections are looking south.
3. See Sheet No. 5 of 23 for shear key clamping details.
4. For quantity of Temporary Concrete Barrier, see Roadway Plans.

ESCA CONSULTANTS, INC.		
DESIGNED BY:	JMS	02/08
DRAWN BY:	HAS	02/08
CHECKED BY:	ELH	02/08
APPROVED BY:	RDP	02/08

STAGE CONSTRUCTION DETAILS
IL 34 OVER
MIDDLE FORK SALINE RIVER
FAP ROUTE 869 - SECTION 105BR-2
SALINE COUNTY
STATION 1561+70.00
STRUCTURE NO. 083-0038