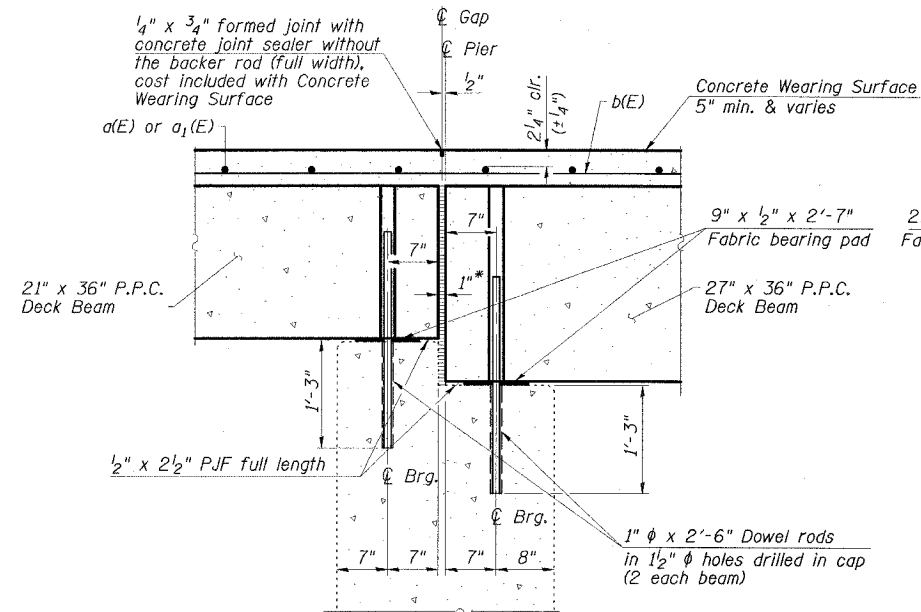


STATE OF ILLINOIS
DEPARTMENT OF TRANSPORTATION

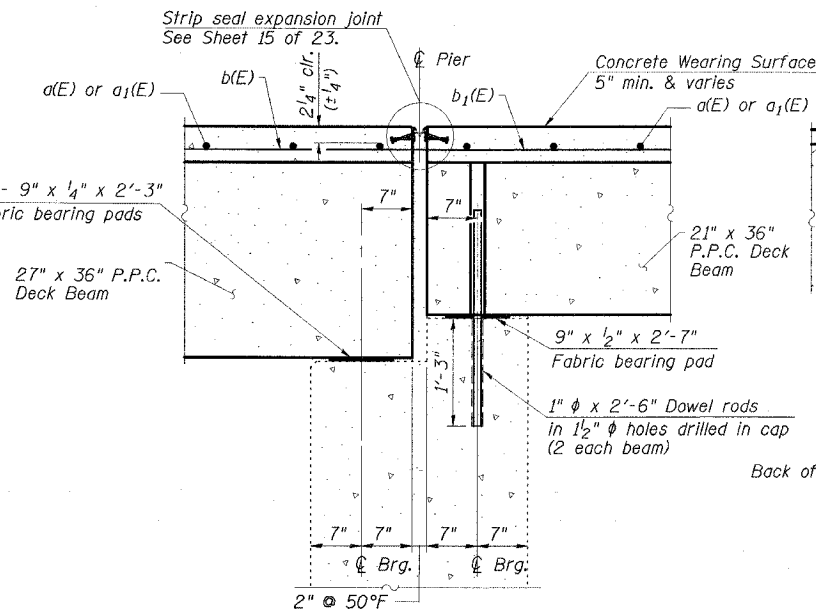
ROUTE NO.	SECTION	COUNTY	DATE	SHEET	SHEET NO. 13 23 SHEETS
FAP 869	105BR-2	SALINE	118	62	
FED. ROAD DIST. NO. 4 ILLINOIS FED. AID PROJECT - 40					

78031

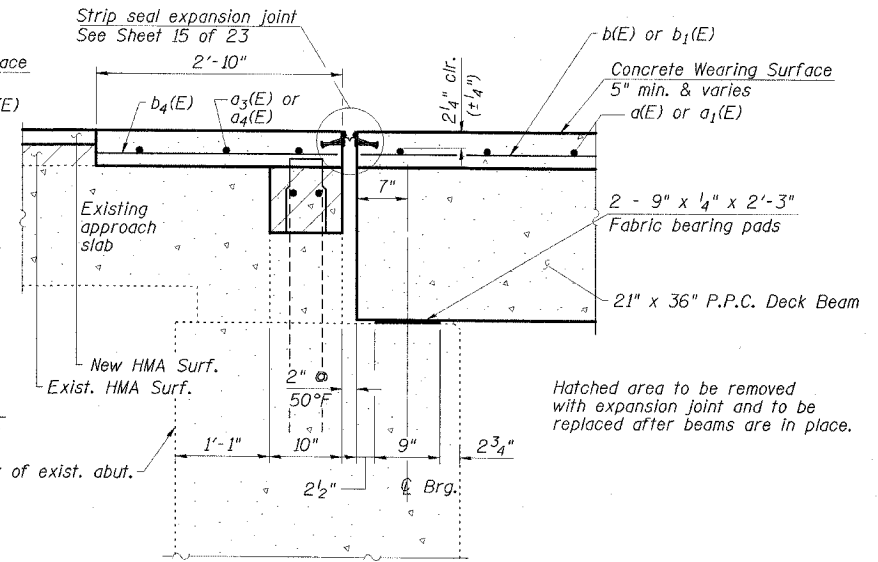


SECTION THRU PIER 1
(Dimensions in Ft. L's)

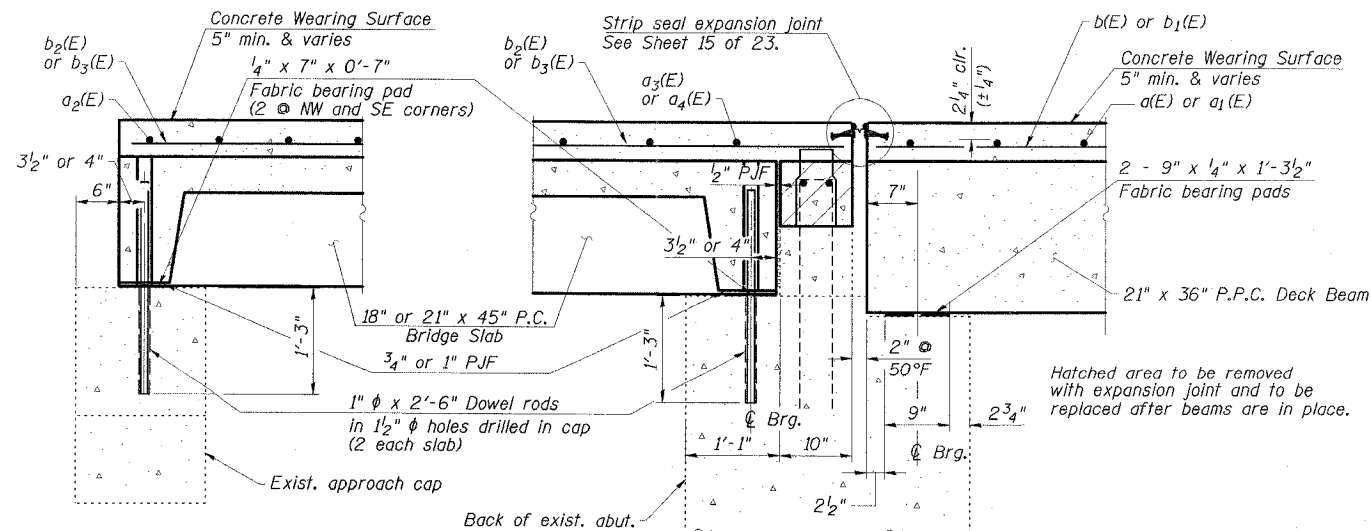
*1" Jt. shall be filled with non-shrink grout. 1" dimension may vary to accommodate tolerance in beam lengths.



SECTION THRU PIER 2
(Dimensions in Ft. L's)



SECTION THRU ABUTMENT @ ROADWAY
(Dimensions in Ft. L's)



SECTION THRU APPROACH CAP
(Dimensions in Ft. L's)

SECTION THRU ABUTMENT @ OUTSIDE BEAM
(Dimensions in Ft. L's)

SUPERSTRUCTURE AND APPROACH DETAILS
IL 34 OVER
MIDDLE FORK SALINE RIVER
FAP ROUTE 869 - SECTION 105BR-2
SALINE COUNTY
STATION 1561+70.00
STRUCTURE NO. 083-0038

ESCA
CONSULTANTS, INC.

DESIGNED BY:	JMS	02/08
DRAWN BY:	HAS	02/08
CHECKED BY:	ELH	02/08
APPROVED BY:	RDP	02/08