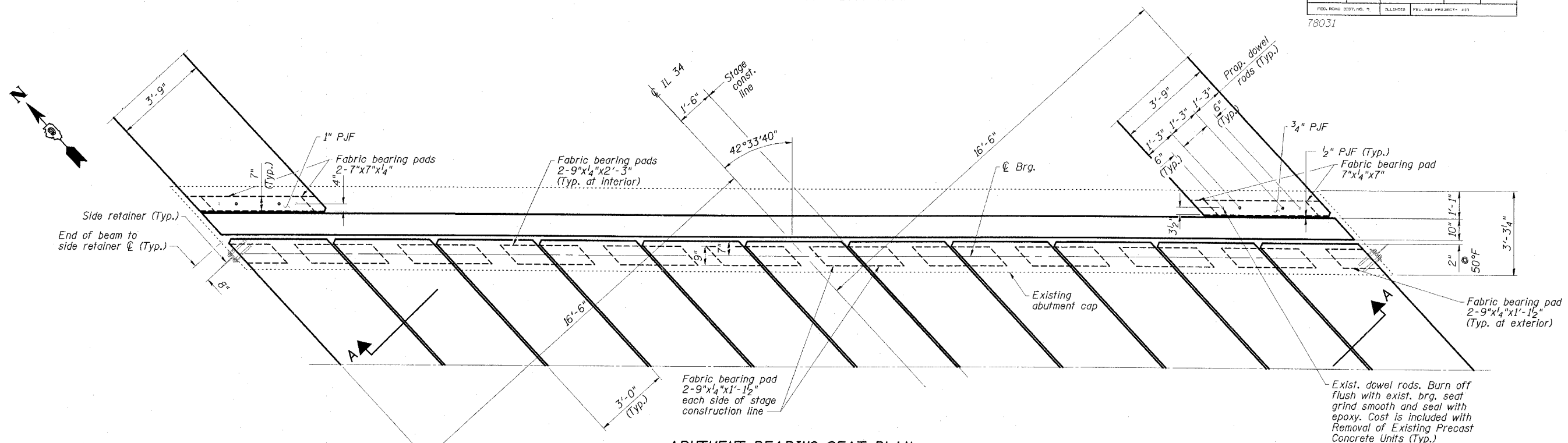
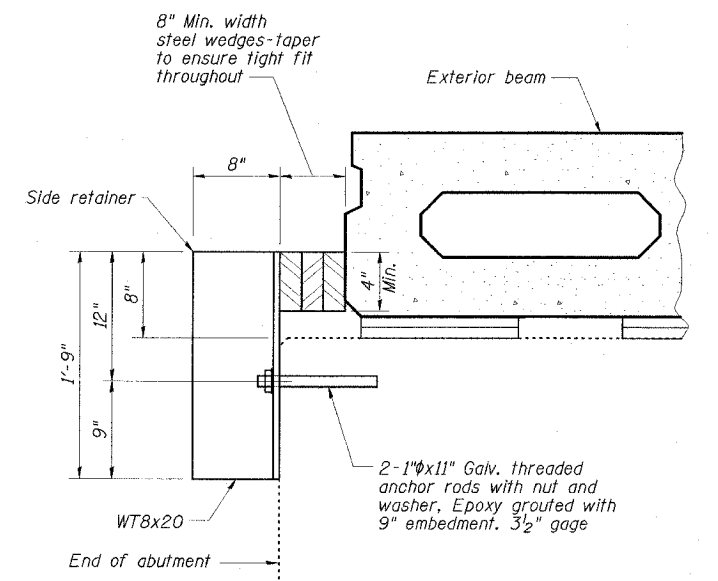


STATE OF ILLINOIS
DEPARTMENT OF TRANSPORTATION

ROUTE NO.	SECTION	COUNTY	SHEETS	SHEET	SHEET NO. 18 23 SHEETS
FAP 869	105BR-2	SALINE	118	67	
78031					

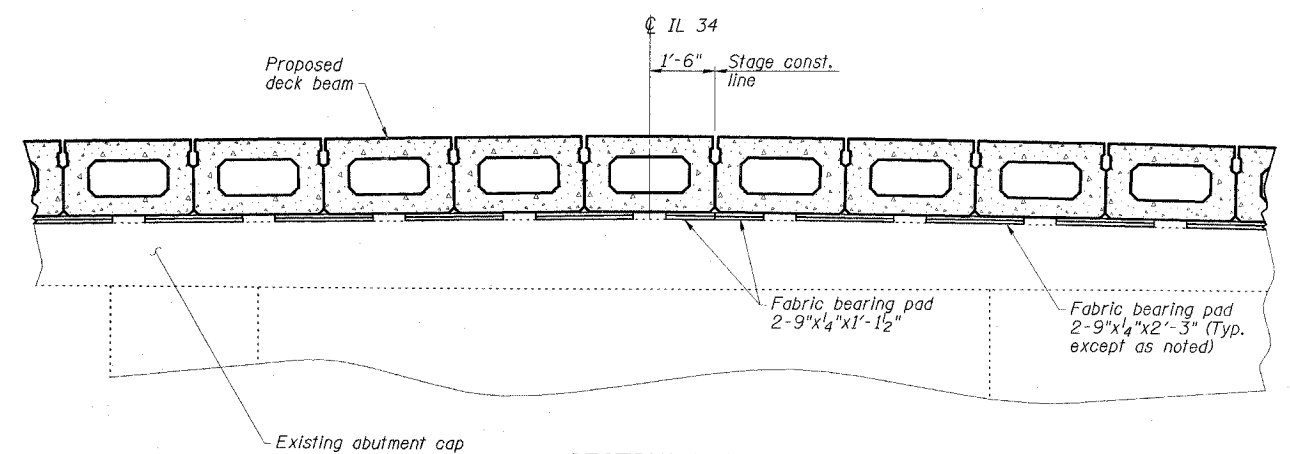


ABUTMENT BEARING SEAT PLAN
North Abutment shown; South Abutment similar.
(Concrete Wearing Surface and approach pavement not shown)



EXTERIOR BEAM SIDE RETAINER DETAILS
(4 Required at abutments)

Cost of retainer & accessories are included with Precast Prestressed Concrete Deck Beams.



SECTION A-A
(Concrete Wearing Surface not shown)

ABUTMENT DETAILS
IL 34 OVER
MIDDLE FORK SALINE RIVER
FAP ROUTE 869 - SECTION 105BR-2
SALINE COUNTY
STATION 1561+70.00
STRUCTURE NO. 083-0038

ESCA
CONSULTANTS, INC.

DESIGNED BY:	JMS	02/08
DRAWN BY:	HAS	02/08
CHECKED BY:	ELH	02/08
APPROVED BY:	RDP	02/08