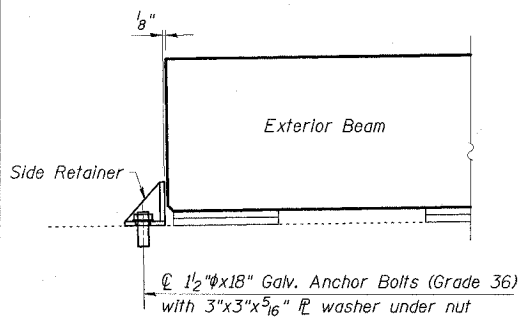
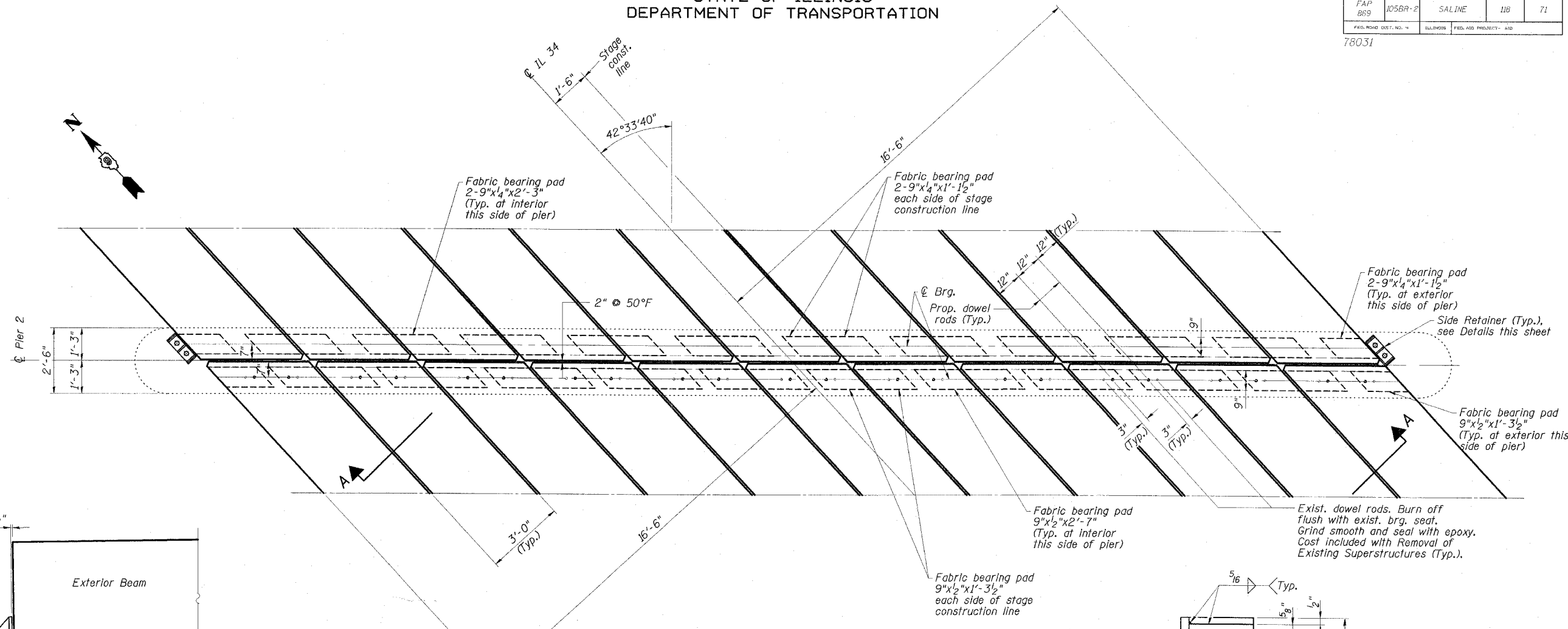


STATE OF ILLINOIS  
DEPARTMENT OF TRANSPORTATION

ROUTE NO.	SECTION	COUNTY	SHEET	SHEET
FAP 869	105BR-2	SALINE	118	71
FED. ROAD DIST. NO. 4		ILLINOIS	FED. AID PROJECT - AID	
78031				

SHEET NO. 22  
23 SHEETS



**EXTERIOR BEAM RETAINER DETAILS**  
(2 Required)

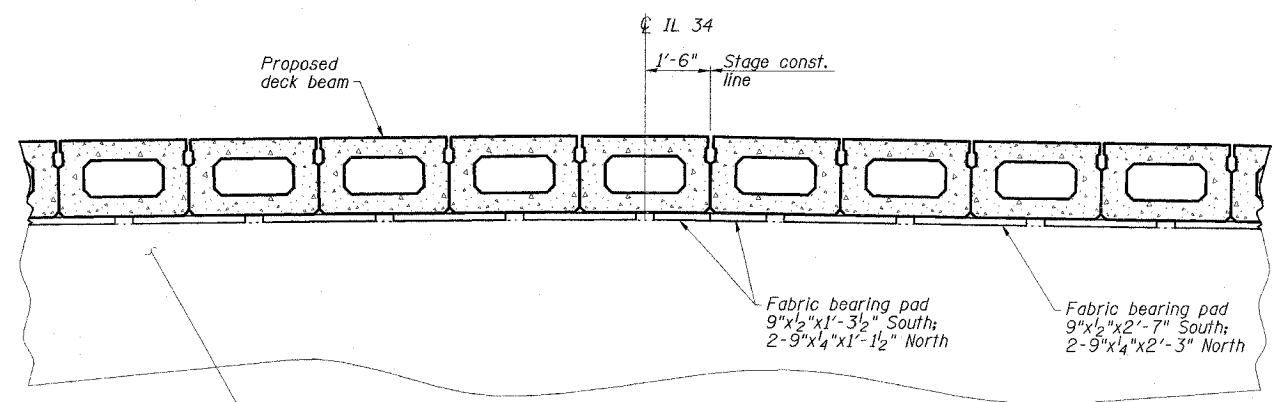
Cost of Retainer Angles, Anchor Bolts & accessories are included with Precast Prestressed Concrete Deck Beams.

Fill 1/8" gap with shim to provide temporary lateral support until shear keys have been grouted and concrete wearing surface has been placed.

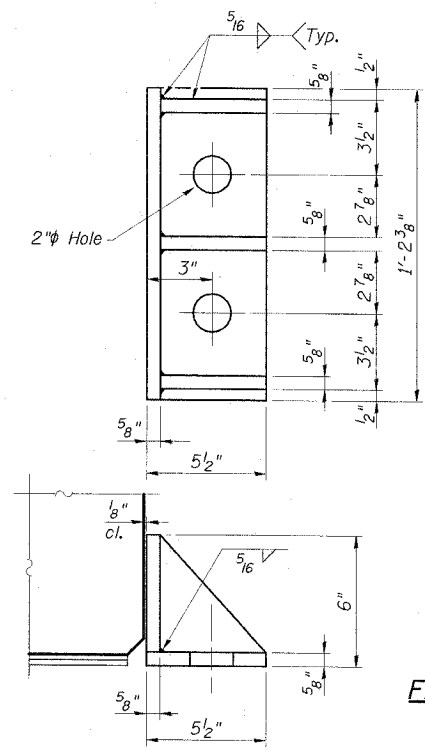
Anchor bolts shall be ASTM F1554 all-thread (or an Engineer-approved alternate material) of the grade(s) and diameter(s) specified. ASTM A307 Grade C anchor bolts may be used in lieu of ASTM F1554 Grade 36 (Fy=36ksi). The corresponding specified grade of AASHTO M314 anchor bolts may be used in lieu of ASTM F1554.

Drilled and set anchor bolts shall be installed according to Article 52.1.06 of the Standard Specifications.

**PIER 2 BEARING SEAT PLAN**  
(Concrete Wearing Surface not shown)



**SECTION A-A**  
South side shown  
(Concrete Wearing Surface not shown)



**SIDE RETAINER**  
Equivalent rolled angle with stiffeners will be allowed in lieu of welded plates.

**PIER 2 DETAILS**  
**IL 34 OVER**  
**MIDDLE FORK SALINE RIVER**  
**FAP ROUTE 869 - SECTION 105BR-2**  
**SALINE COUNTY**  
**STATION 1561+70.00**  
**STRUCTURE NO. 083-0038**

**ESCA**  
CONSULTANTS, INC.

DESIGNED BY:	JMS	02/08
DRAWN BY:	HAS	02/08
CHECKED BY:	ELH	02/08
APPROVED BY:	RDP	02/08