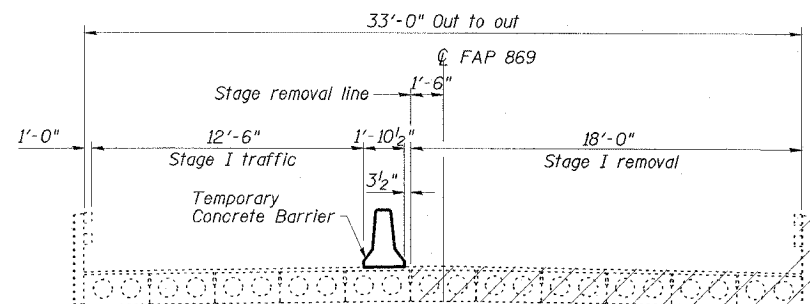
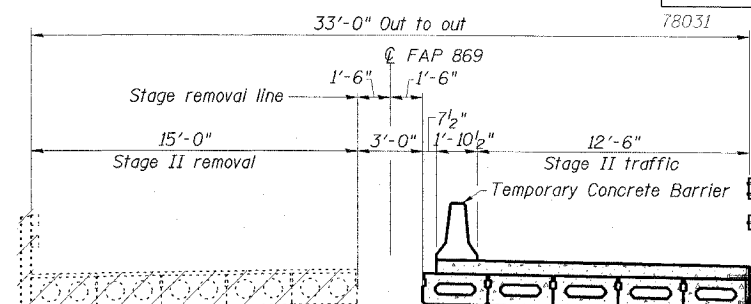


STATE OF ILLINOIS
DEPARTMENT OF TRANSPORTATION

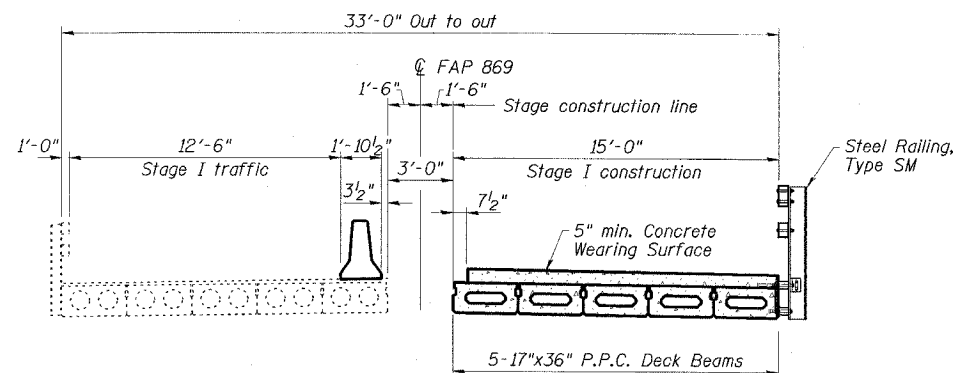
ROUTE NO.	SECTION	COUNTY	SHEET NO.	SHEET	SHEET NO.
FAP 869	105BR-3	SALINE	118	85	3
17 SHEETS					
FED. ROAD DIST. NO.	ILLINOIS	FED. AID PROJECT - NO.			



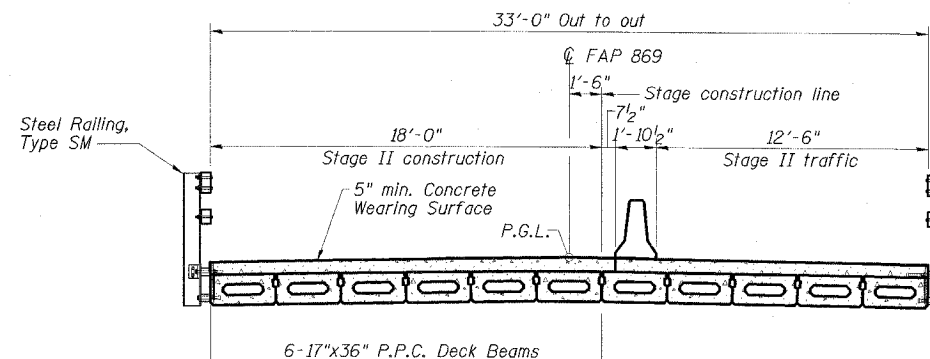
STAGE I REMOVAL



STAGE II REMOVAL



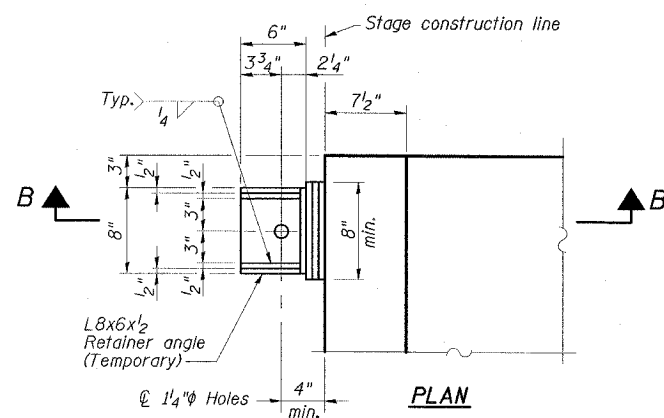
STAGE I CONSTRUCTION



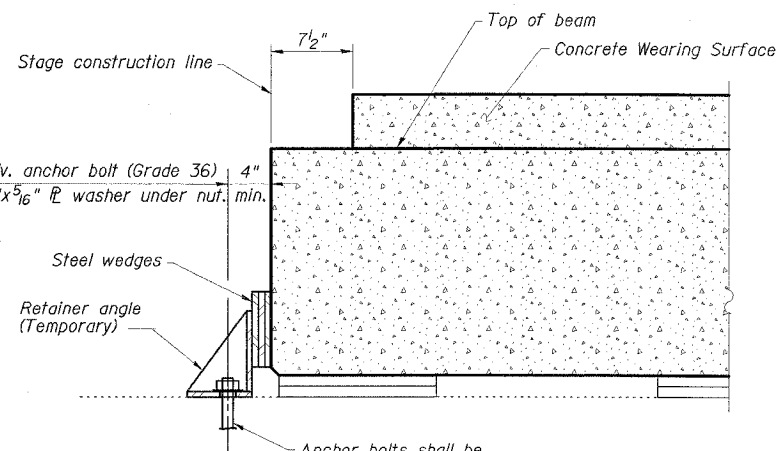
STAGE II CONSTRUCTION

STAGE CONSTRUCTION NOTES

1. All staging sections are looking north.
2. See Sheet No. 5 of 17 for shear key clamping details.
3. For quantity of Temporary Concrete Barrier, see Roadway Plans.



BEAM RETAINER DETAILS
AT STAGE CONSTRUCTION LINE
(2 Required)



SECTION B-B
Anchor bolts shall be cut, ground flush with cap, and sealed with epoxy prior to beam erection in Stage II
Cost of retainer angles, anchor bolts & accessories is included with Precast Prestressed Concrete Deck Beams.

STAGE CONSTRUCTION DETAILS
IL 34 OVER BANKSTON FORK AND
SALINE RIVER OVERFLOW
FAP ROUTE 869 - SECTION 105BR-3
SALINE COUNTY
STATION 1574+00.00
STRUCTURE NO. 083-0039

ESCA
CONSULTANTS, INC.
DESIGNED BY: ELH 02/08
DRAWN BY: HAS 02/08
CHECKED BY: ELH 02/08
APPROVED BY: RDP 02/08