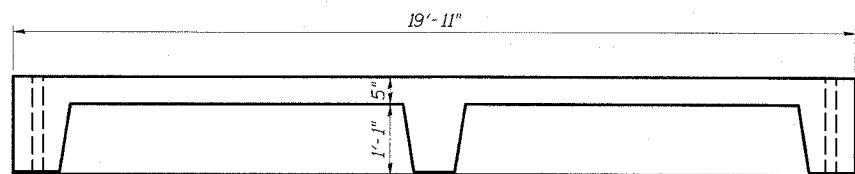
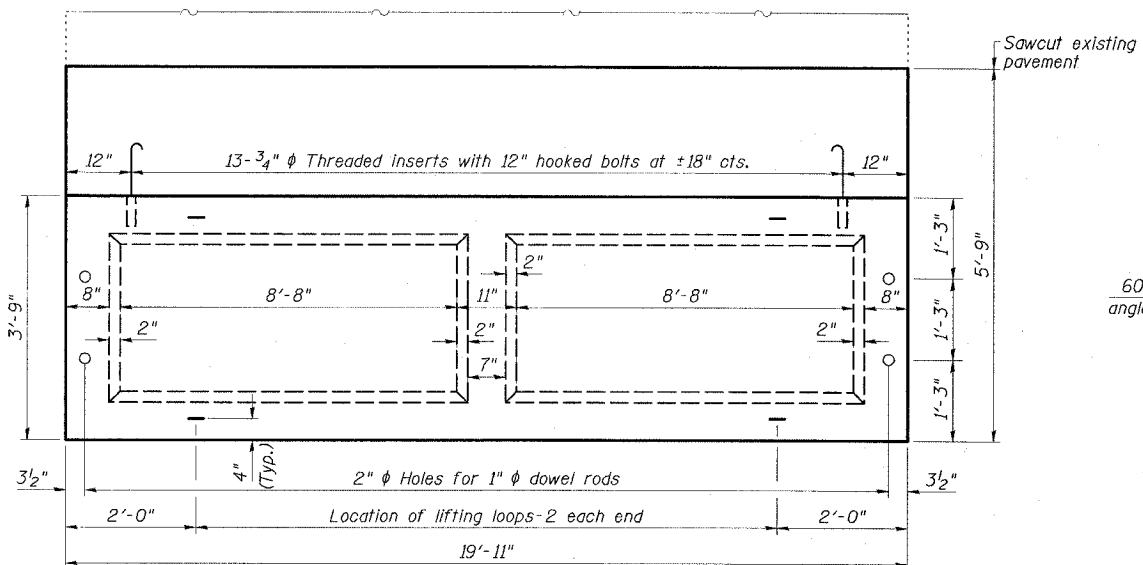


STATE OF ILLINOIS  
DEPARTMENT OF TRANSPORTATION

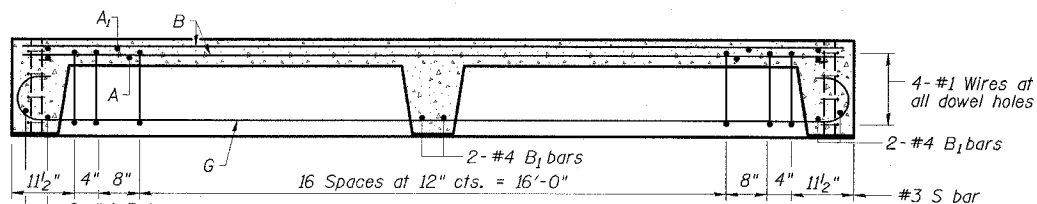
ROUTE NO.	SECTION	COUNTY	SHEET	SHEET NO.
FAP 869	105BR-3	SALINE	118	90
78031				
17 SHEETS				



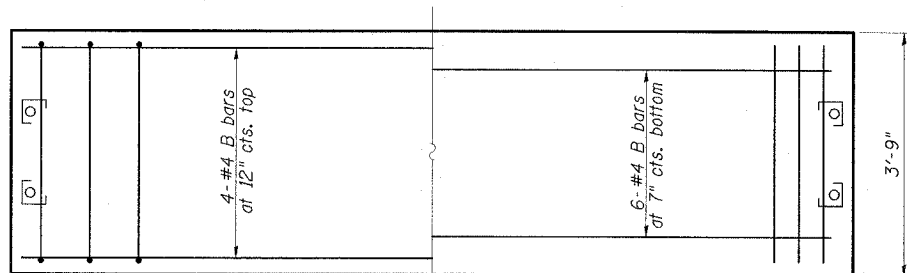
ELEVATION



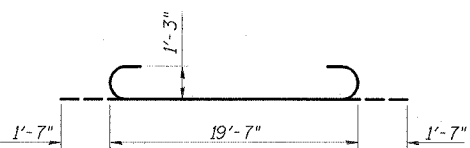
PARTIAL PLAN OF APPROACH  
(CWS not shown)



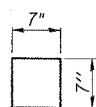
LONGITUDINAL SECTION



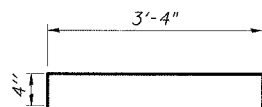
SLAB REINFORCEMENT



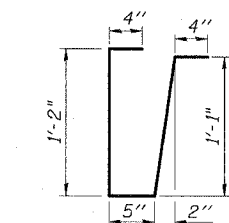
BAR G



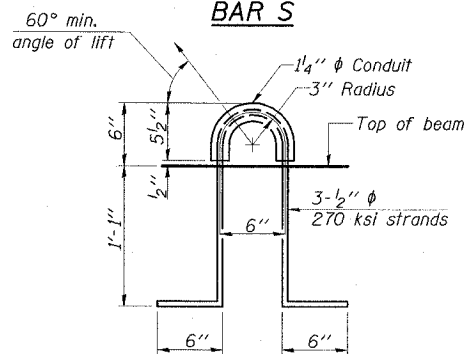
FABRIC BEARING PAD



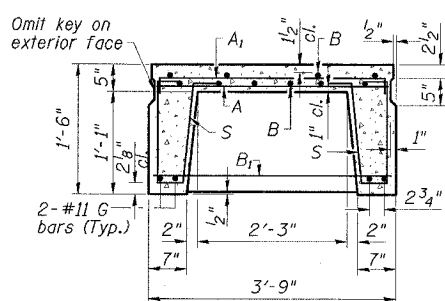
BAR A1



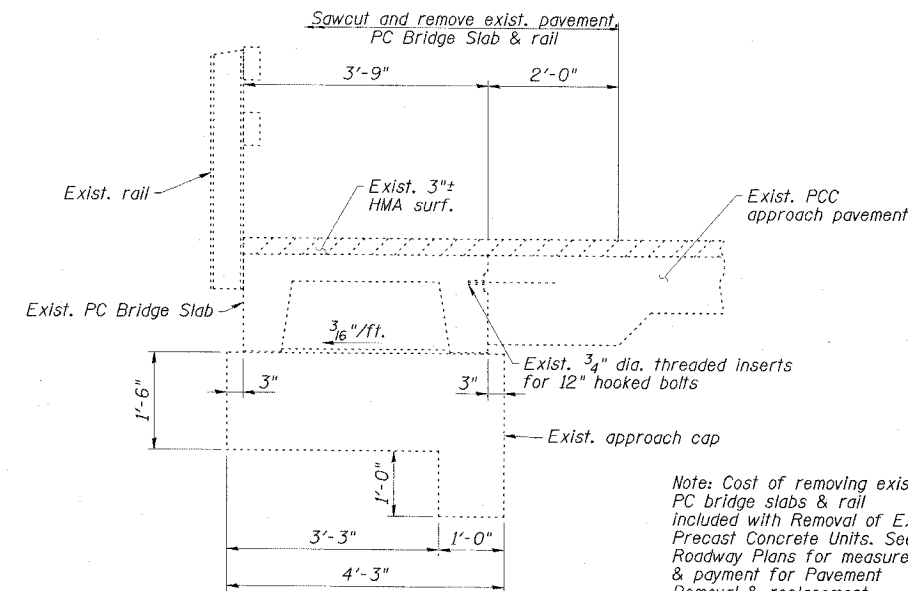
BAR S



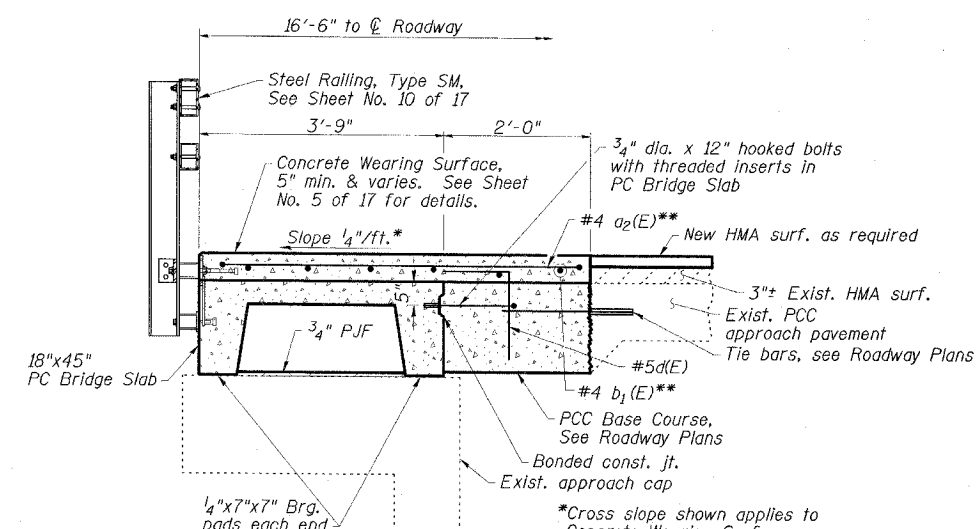
LIFTING LOOP DETAIL



SECTION THRU PRECAST UNIT



EXISTING CROSS SECTION



PROPOSED CROSS SECTION

Note: Cost of removing exist. PC bridge slabs & rail included with Removal of Exist. Precast Concrete Units. See Roadway Plans for measurement & payment for Pavement Removal & replacement.

BILL OF MATERIAL

Item	Unit	Quantity
Precast Concrete Bridge Slab	Sq. Ft.	299

NOTES

Reinforcing steel shall conform to ASTM A 706 (IL MOD), Grade 60.  
The bearing seat surfaces shall be adjusted by shimming to assure firm and even bearing. Two 1/8" fabric adjusting shims of the dimensions of the bearing pad shall be provided for each bearing.  
Keyway surfaces shall be cleaned to remove form oil or other bond breaking material prior to shipment of the slabs. Cleaning shall be done by sandblasting the keyway areas between top of the slab and the bottom edge of the key.  
Corrosion inhibitor, per Article 1020.05(b)(12) of the Standard Specifications, shall be used in the concrete for precast concrete bridge slabs.  
Required strength, f'c, shall be 4500 p.s.i.  
See Sheet No. 2 of 17 for location of rail anchors and additional notes.  
Cost of reinforcement and accessories cast into the slab unit, bearing pads, furnishing, drilling for, placing and grouting anchor rods and 3/4" diameter hooked bolts is included in contract unit price for Precast Concrete Bridge Slab.  
The Precast Concrete Bridge Slab shall be erected and aligned with the exterior face of the exterior deck beam after deck beams are in final position.

APPROACH DETAILS  
IL 34 OVER BANKSTON FORK AND  
SALINE RIVER OVERFLOW  
FAP ROUTE 869 - SECTION 105BR-3  
SALINE COUNTY  
STATION 1574+00.00  
STRUCTURE NO. 083-0039

**ESCA**  
CONSULTANTS, INC.

DESIGNED BY:	ELH	02/08
DRAWN BY:	HAS	02/08
CHECKED BY:	ELH	04/08
APPROVED BY:	RDP	04/08