

STATE OF ILLINOIS
DEPARTMENT OF TRANSPORTATION

ROUTE NO.	SECTION	COUNTY	SHEET NO.	SHEET	SHEET NO.
FAP 869	105BR-3	SALINE	118	91	17 SHEETS
FED. ROAD DIST. NO. 4	ILLINOIS	FED. AID PROJECT - AID			

NOTES 78031

After beams have been erected, holes shall be drilled into substructure and dowels rods placed. Dowel holes shall be filled with non-shrink grout to top of beam and allowed to cure min. 24 hrs. prior to grouting the shear keys.

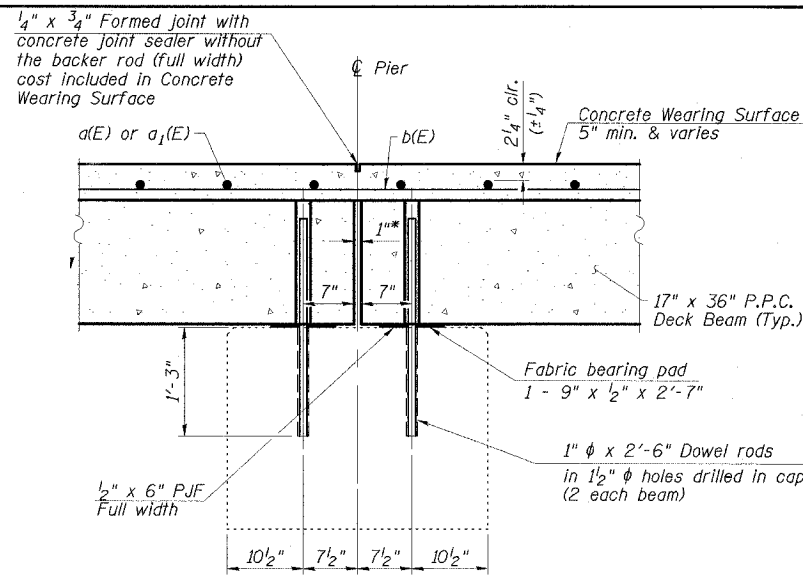
Concrete wearing surface to be poured after grouting the shear keys.

Dowel rods drilled in cap are included in the cost of Precast Prestressed Concrete Deck Beams (17" Depth) or Precast Concrete Bridge Slabs.

The rail anchorage shall be cast with the beam or slab and the wearing surface shall be cast in the field. Formwork necessary for the wearing surface may be secured utilizing the bottom rail anchorage inserts and/or additional inserts cast into the beam or slab. Drilling into the beam or slab will not be permitted.

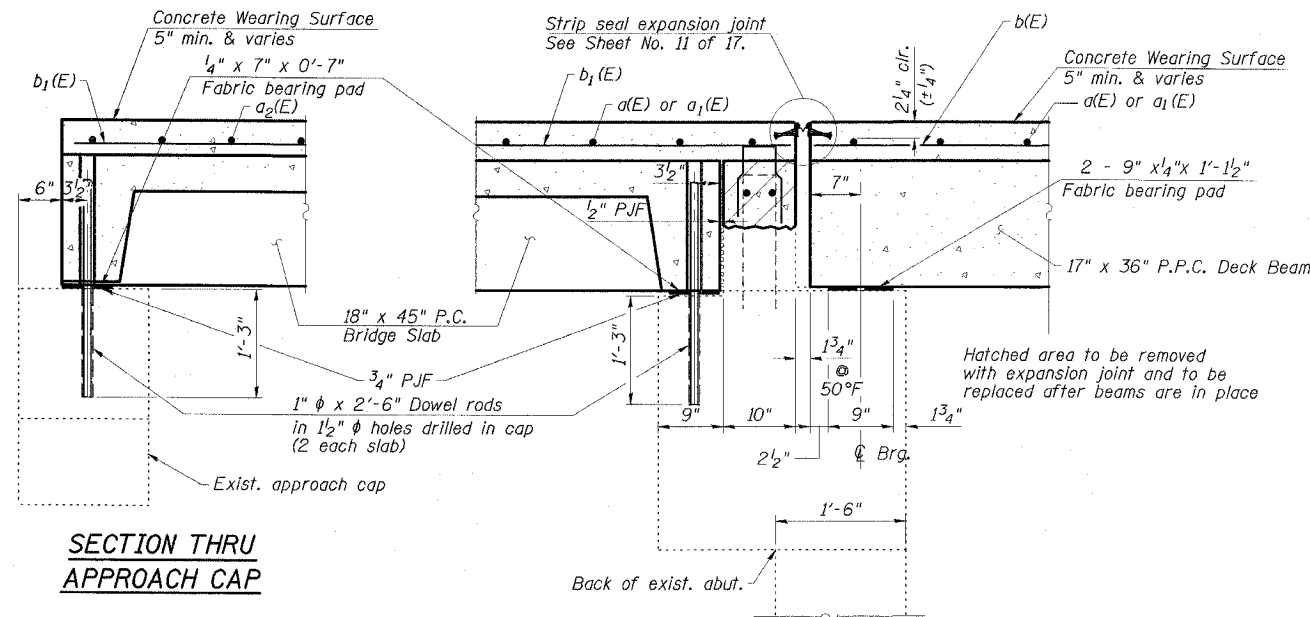
Anchor bolts shall be ASTM F1554 all-thread (or an Engineer-approved alternate material) of the grade(s) and diameter(s) specified. ASTM A307 Grade C anchor bolts may be used in lieu of ASTM F1554 Grade 36 (Fy=ksi). The corresponding specified grade of AASHTO M314 anchor bolts may be used in lieu of ASTM F1554.

Drilled and set anchor bolts shall be installed according to Article 521.06 of the Standard Specifications.



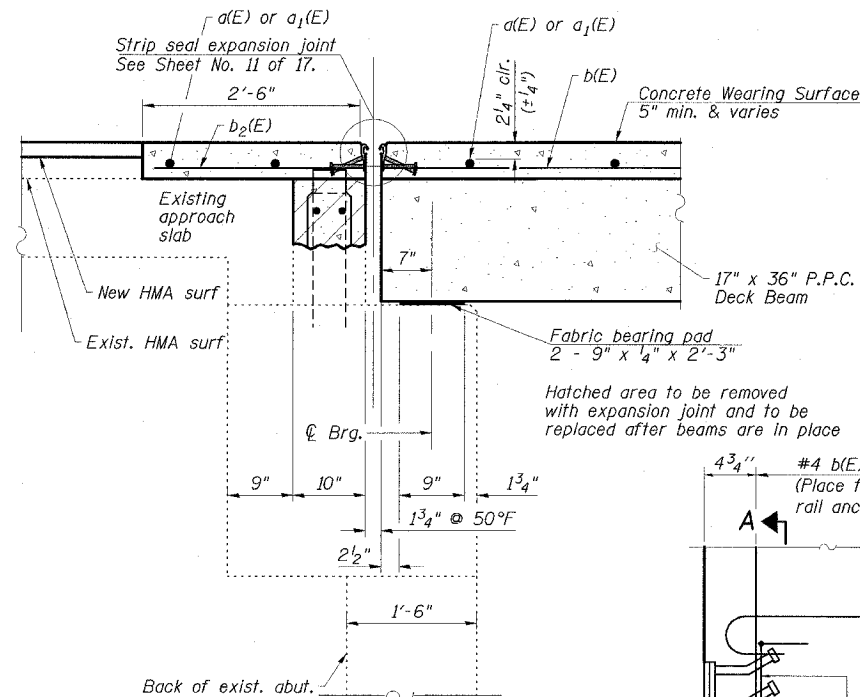
SECTION THRU FIXED PIER

*1" Jt. shall be filled with non-shrink grout, cost included in PPC Deck Beams, 1" dimension may vary to accommodate tolerance in beam lengths.

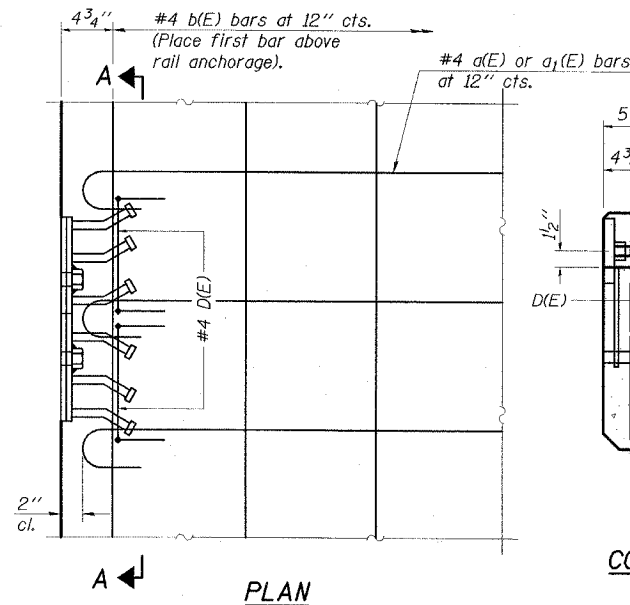


SECTION THRU APPROACH CAP

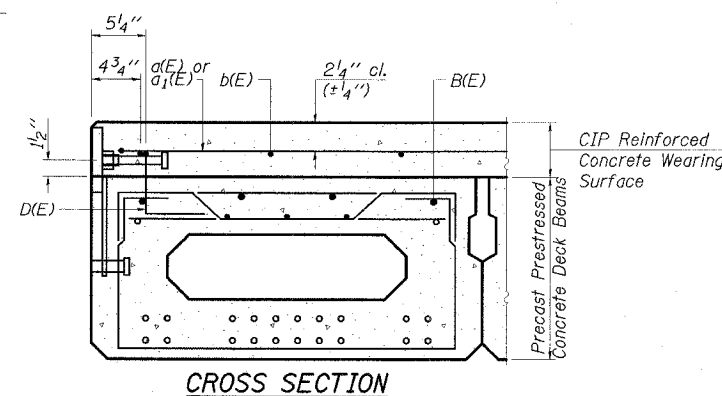
SECTION THRU ABUTMENT @ OUTSIDE BEAM



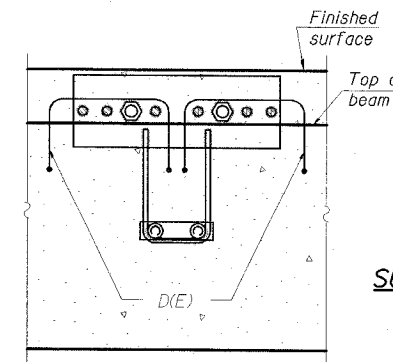
SECTION THRU ABUTMENT @ ROADWAY



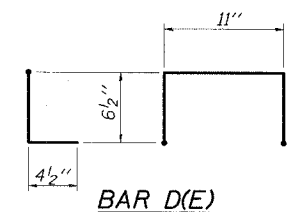
PLAN



**CROSS SECTION
CONCRETE OVERLAY DETAILS
AT RAIL ANCHORAGE**
(Bridge shown; approach similar)



SECTION A-A



ESCA
CONSULTANTS, INC.

DESIGNED BY:	ELH	02/08
DRAWN BY:	HAS	02/08
CHECKED BY:	ELH	02/08
APPROVED BY:	RDP	02/08

SUPERSTRUCTURE & APPROACH DETAILS
IL 34 OVER BANKSTON FORK AND
SALINE RIVER OVERFLOW
FAP ROUTE 869 - SECTION 105BR-3
SALINE COUNTY
STATION 1574+00.00
STRUCTURE NO. 083-0039