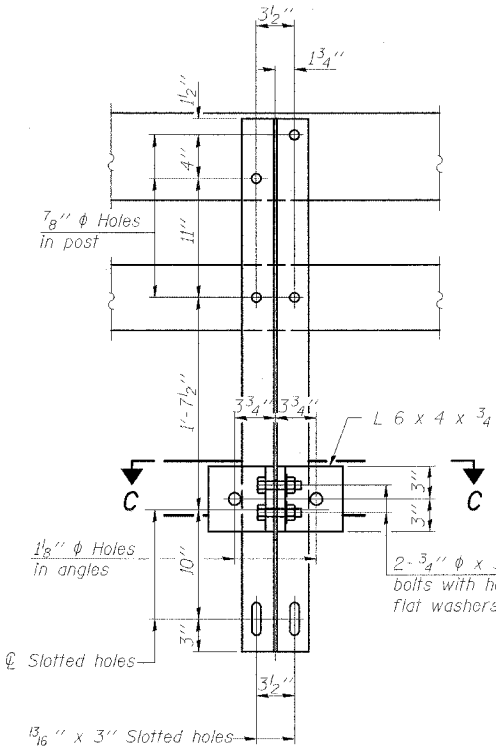
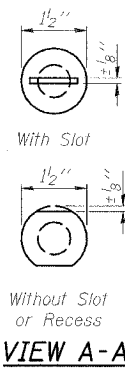
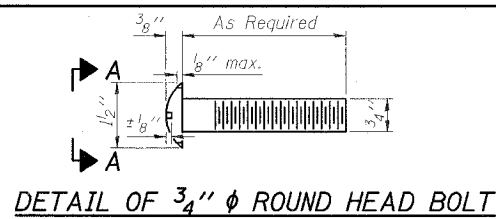
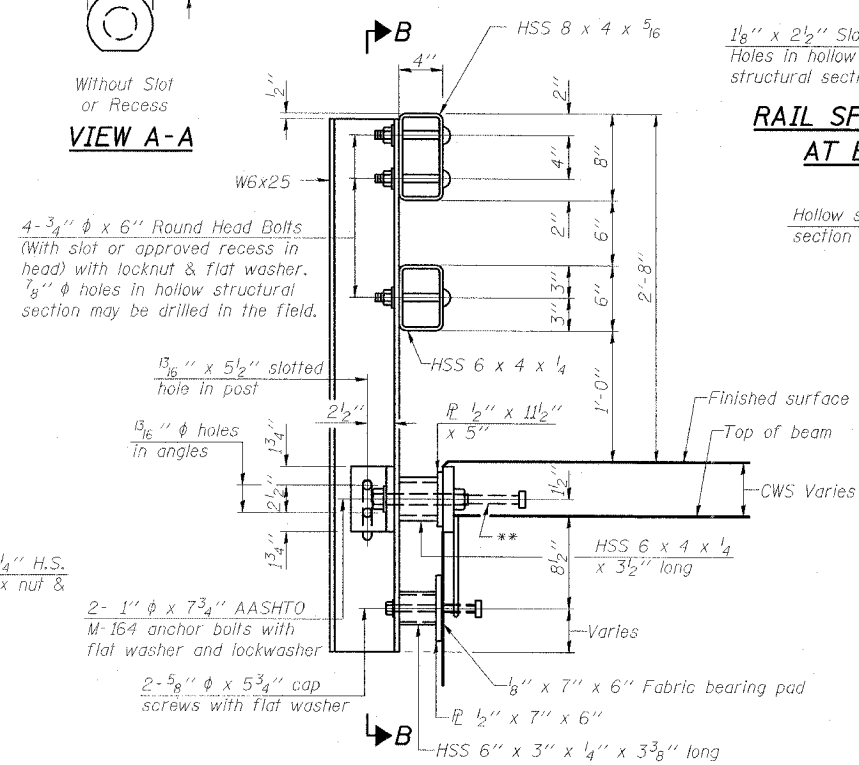


STATE OF ILLINOIS  
DEPARTMENT OF TRANSPORTATION

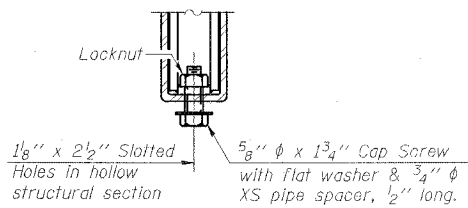
ROUTE NO.	SECTION	COUNTY	STATION	SHEET	SHEET NO.
FAP 869	105BR-3	SALINE	118	92	17 SHEETS
FED. ROAD DIST. NO. 4					FED. AID PROJECT - RD
78031					



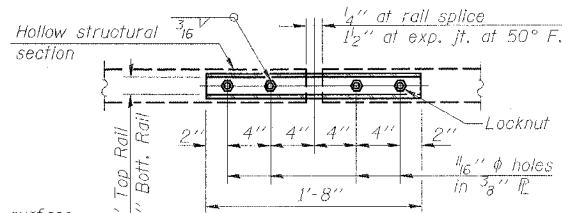
SECTION B-B



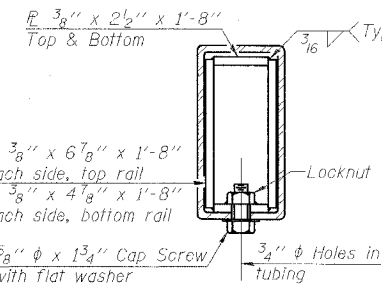
SECTION AT RAIL POST



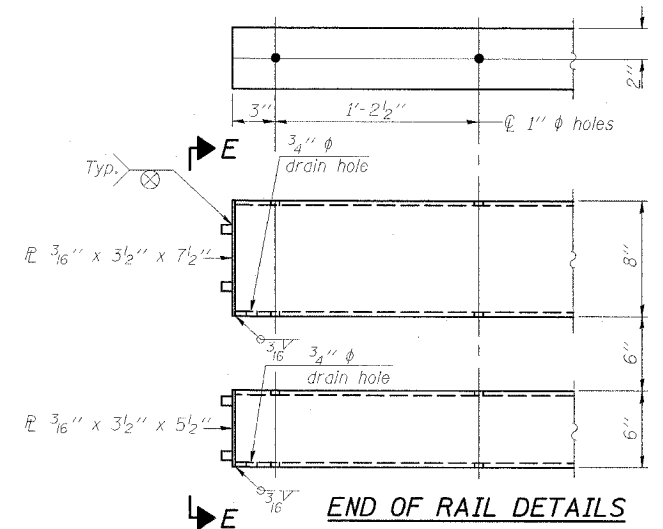
RAIL SPLICE CONNECTION  
AT EXPANSION JT.



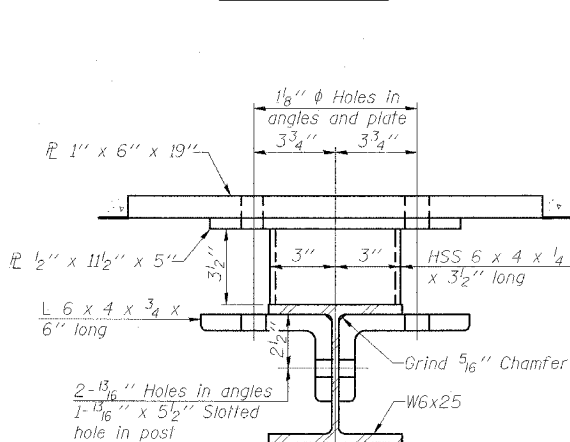
PLAN-BOTT. SPLICE P  
TYPICAL



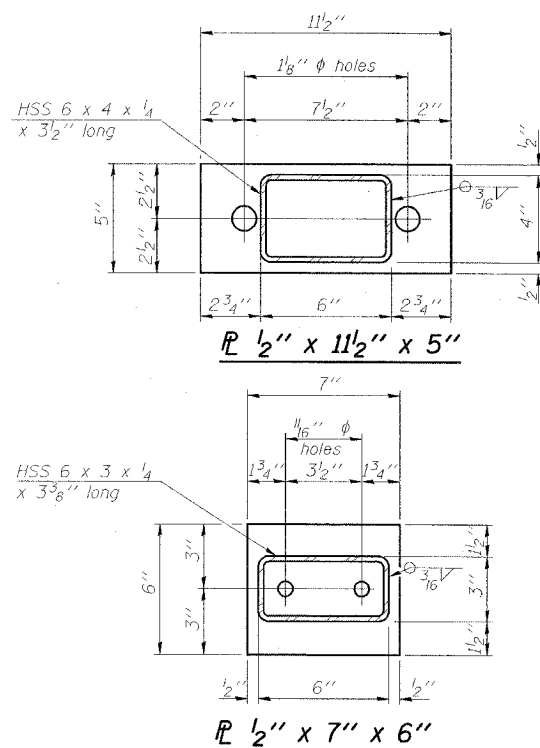
SECTION AT  
RAIL SPLICE



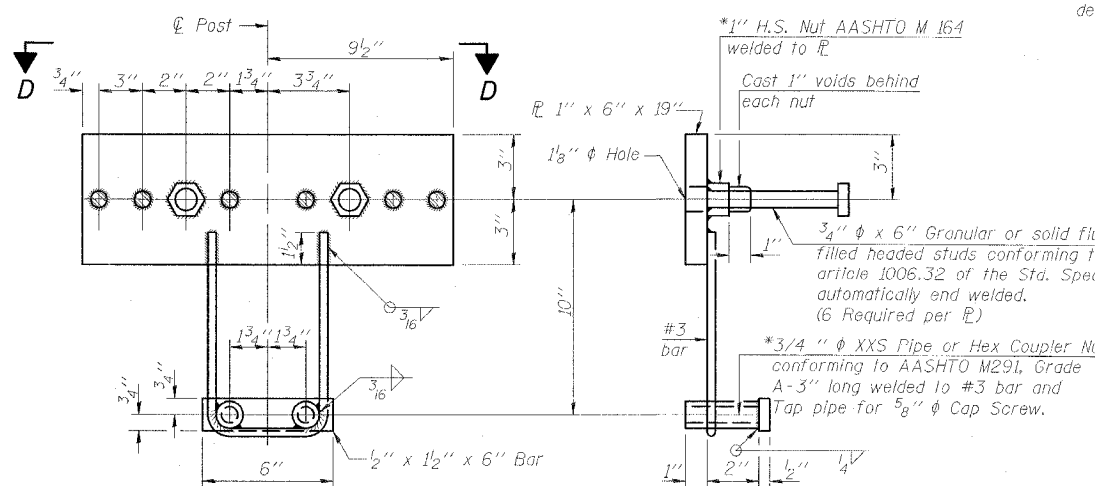
END OF RAIL DETAILS



SECTION C-C



ANCHOR DEVICE



VIEW D-D

Notes:  
All field drilled holes shall be coated with an approved zinc rich paint before erection.  
For multi-span bridges, sufficient 1/4" x 6" x 1'-2" galvanized steel shims shall be provided to align rail between adjacent spans. Cost included with Steel Railing, Type SM.  
Steel rail elements shall be galvanized according to Article 509.05 of the Standard Specifications.  
\*\*The studs of the anchor devices shall be placed below the top reinforcement bars and the outermost longitudinal reinforcement bar shall be placed directly above the studs of the rail post anchor device.

BILL OF MATERIAL

Item	Unit	Quantity
Steel Railing, Type SM	Foot	234

STEEL RAILING, TYPE SM  
IL 34 OVER BANKSTON FORK AND  
SALINE RIVER OVERFLOW  
FAP ROUTE 869 - SECTION 105BR-3  
SALINE COUNTY  
STATION 1574+00.00  
STRUCTURE NO. 083-0039

**ESCA**  
CONSULTANTS, INC.

DESIGNED BY: ELH 02/08  
DRAWN BY: HAS 02/08  
CHECKED BY: ELH 02/08  
APPROVED BY: RDP 02/08