

STATE OF ILLINOIS
DEPARTMENT OF TRANSPORTATION

ROUTE NO.	SECTION	COUNTY	SHEETS	SHEET NO.	SHEET NO.
FAP 869	105BR-3	SALINE	118	93	17 SHEETS
FED. ROAD DIST. NO. 9	SUBDIVISION	FED. AID PROJECT - AID			

78031

GENERAL NOTES

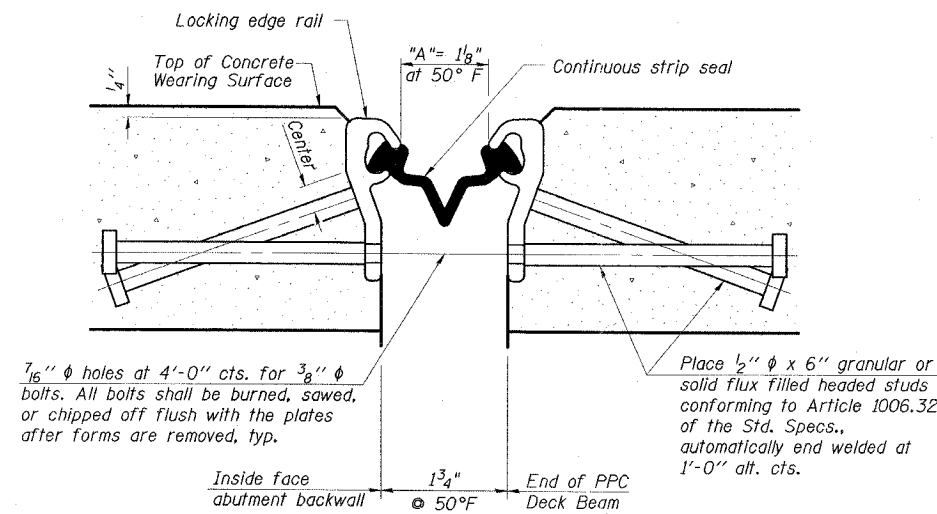
The strip seal shall be made continuous and shall have a minimum thickness of 1/4". The configuration of the strip seal shall match the configuration of the locking edge rails.

The height and thickness of the locking edge rails shown are minimum dimensions. The actual configuration of the locking edge rails and matching strip seal may vary from manufacturer to manufacturer. Flanged edge rails will not be allowed.

Locking edge rails may be spliced at slope discontinuities and stage construction joints.

The manufacturer's recommended installation methods shall be followed.

All steel components shall be galvanized after fabrication according to Article 520.03 of the Standard Specifications.

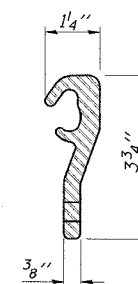


**SECTION THRU STRIP SEAL JOINT
FOR OVERLAY OVER DECK BEAMS**

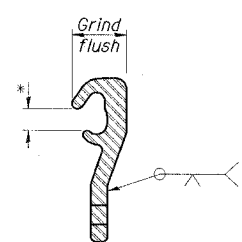
BILL OF MATERIAL

Item	Unit	Quantity
Preformed Joint Strip Seal	Foot	66

* Omit weld at seal opening.



LOCKING EDGE RAIL



LOCKING EDGE RAIL SPLICE

ESCA
CONSULTANTS, INC.
DESIGNED BY: ELH 02/08
DRAWN BY: HAS 02/08
CHECKED BY: ELH 02/08
APPROVED BY: RDP 02/08

**STRIP SEAL EXPANSION JOINT
IL 34 OVER BANKSTON FORK AND
SALINE RIVER OVERFLOW
FAP ROUTE 869 - SECTION 105BR-3
SALINE COUNTY
STATION 1574+00.00
STRUCTURE NO. 083-0039**