

STATE OF ILLINOIS
DEPARTMENT OF TRANSPORTATION

ROUTE NO.	SECTION	COUNTY	PROJECT NO.	SHEET NO.	SHEET NO. 12 17 SHEETS
FAP 869	105BR-3	SALINE	118	94	
FED. ROAD DIST. NO. 11		ILLINOIS		FED. AID PROJECT - 450	

78031

**NORTH ABUTMENT
BILL OF MATERIAL**

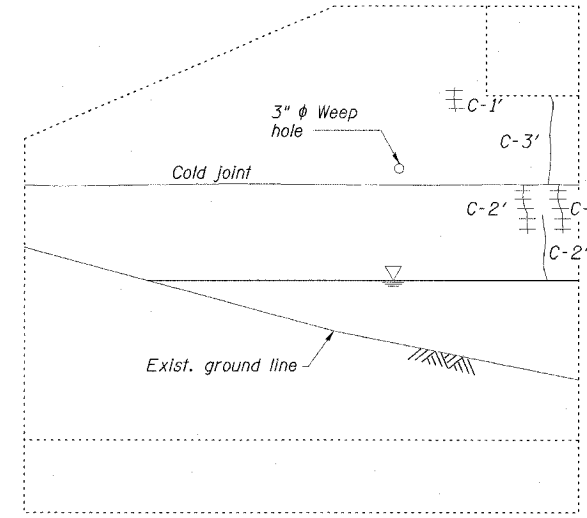
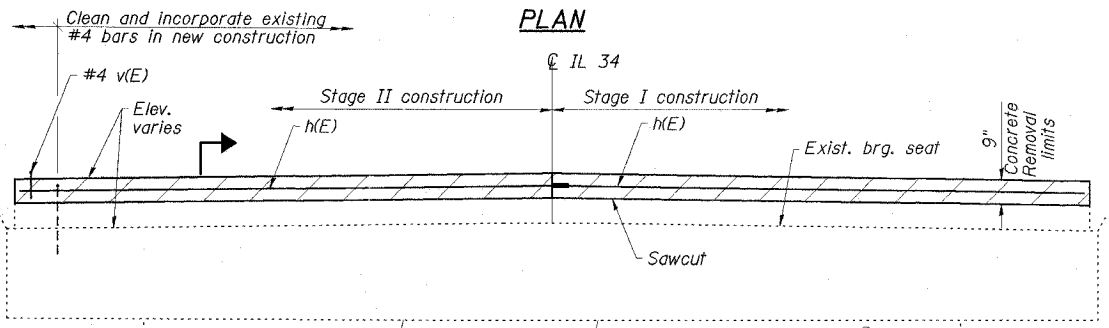
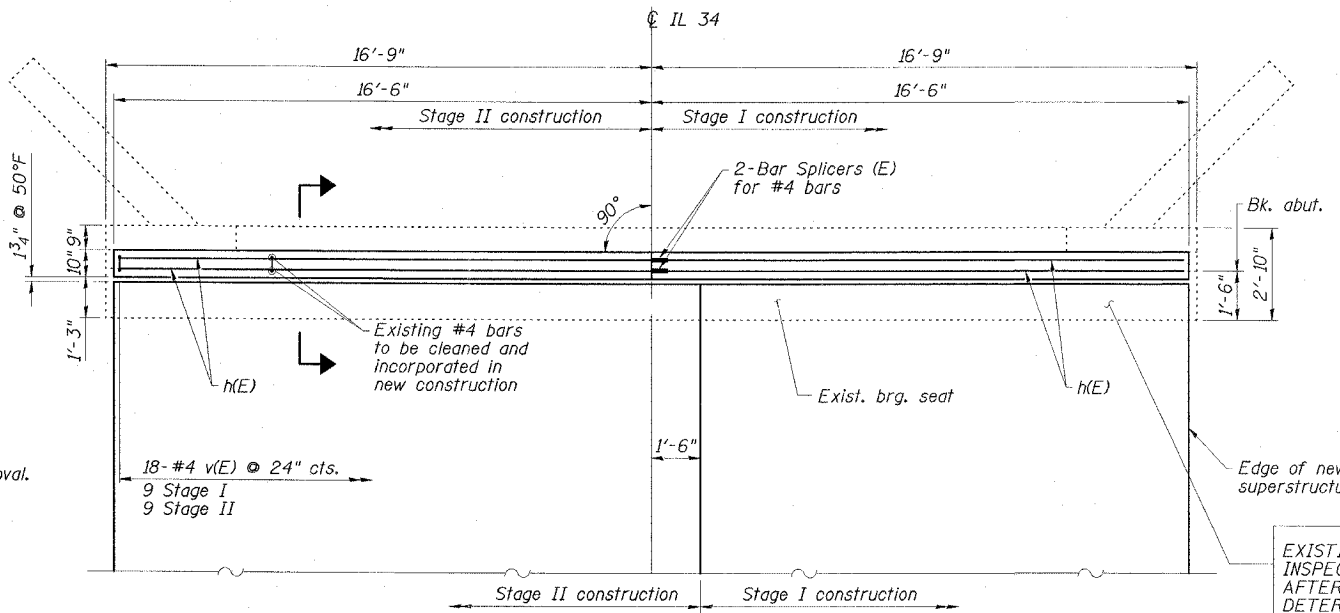
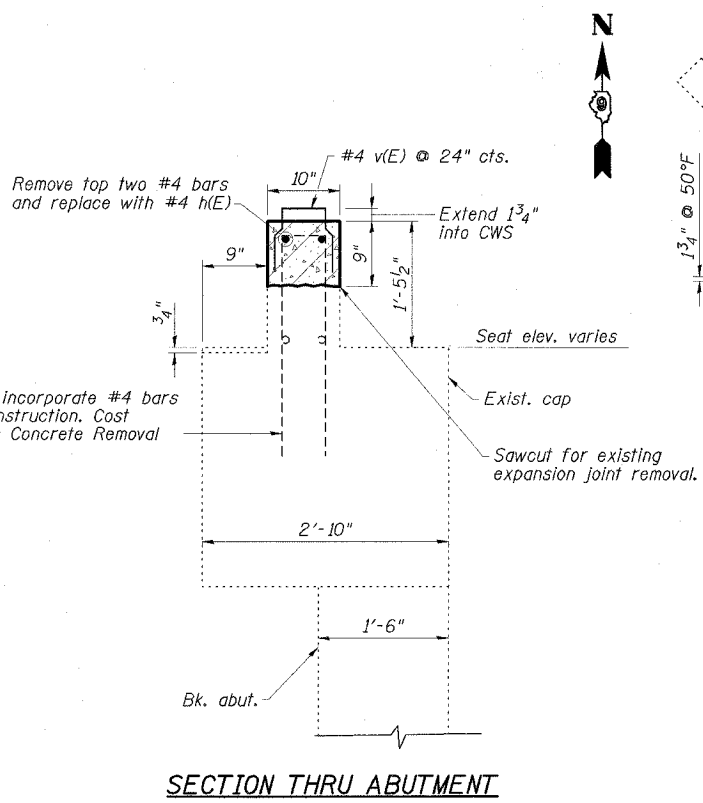
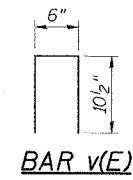
Bar	No.	Size	Length	Shape
h(E)	4	#4	16'-2"	
v(E)	18	#4	2'-3"	□
Concrete Sealer		Sq. Ft.	41	
Epoxy Crack Injection		Foot	47	
Structural Repair of Concrete (Depth Equal to or Less Than 5")		Sq. Ft.	17	
Concrete Removal		Cu. Yd.	0.8	
Concrete Structures		Cu. Yd.	0.8	
Reinforcement Bars, Epoxy Coated		Pound	80	
Asbestos Bearing Pad Removal		Each	22	
Bar Splicers		Each	2	

REPAIR LEGEND

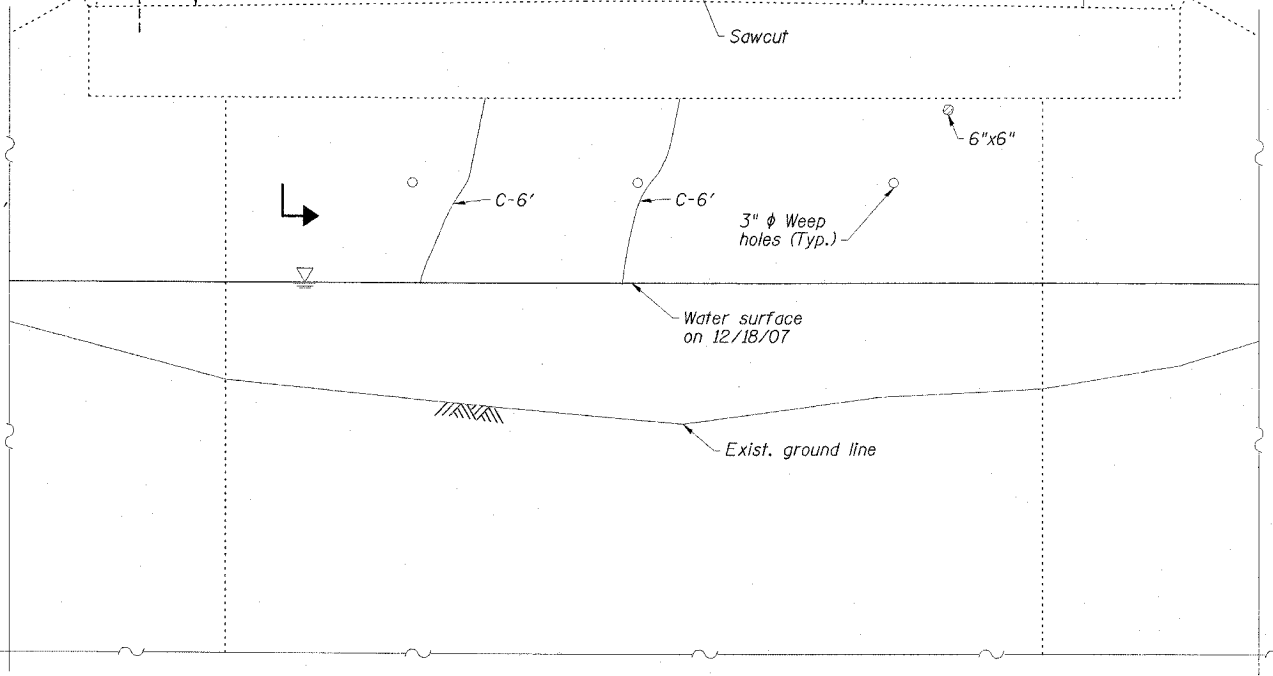
Inspection Date: 12/18/07

- C-6' Crack to be epoxy injected
- Delaminated or spalled area - Use Structural Repair of Concrete
- Efflorescent crack

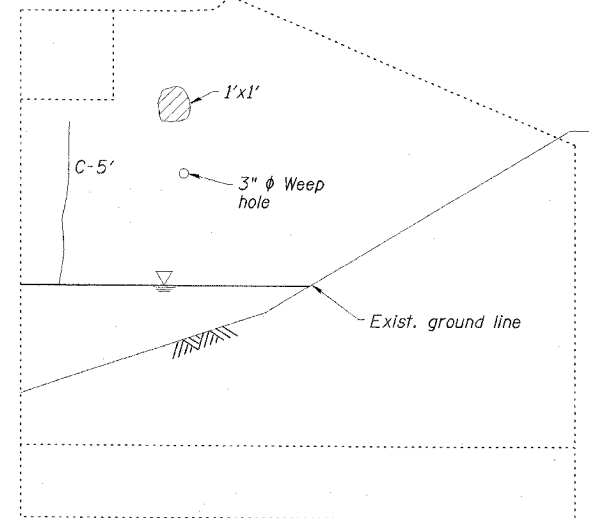
EXISTING BEARING SEAT TO BE INSPECTED BY THE ENGINEER AFTER DECK BEAM REMOVAL. DETERIORATED CONCRETE AREAS SHALL BE REPAIRED (ESTIMATED 15 S.F. STRUCTURAL REPAIR OF CONCRETE DEPTH < 5") AND CRACKS SHALL BE SEALED (ESTIMATED 20' EPOXY CRACK INJECTION) IF FOUND. CONCRETE SEALER SHALL BE APPLIED TO CONCRETE REPAIR AREAS.



**ELEVATION
WEST WING**



ELEVATION



**ELEVATION
EAST WING NORTH ABUTMENT**
IL 34 OVER BANKSTON FORK AND
SALINE RIVER OVERFLOW
FAP ROUTE 869 - SECTION 105BR-3
SALINE COUNTY
STATION 1574+00.00
STRUCTURE NO. 083-0039

NOTE: ABUTMENT CRACK REPAIR LENGTHS AND STRUCTURAL REPAIR OF CONCRETE AREAS ARE ESTIMATED FROM 12-18-07 SURVEY WORK. ACTUAL LOCATIONS AND QUANTITIES OF REPAIRS SHALL BE SHOWN BY THE ENGINEER ON THE AS-BUILT PLANS FOR THIS SECTION.

ESCA
CONSULTANTS, INC.

DESIGNED BY:	ELH	02/08
DRAWN BY:	HAS	02/08
CHECKED BY:	ELH	02/08
APPROVED BY:	RDP	02/08