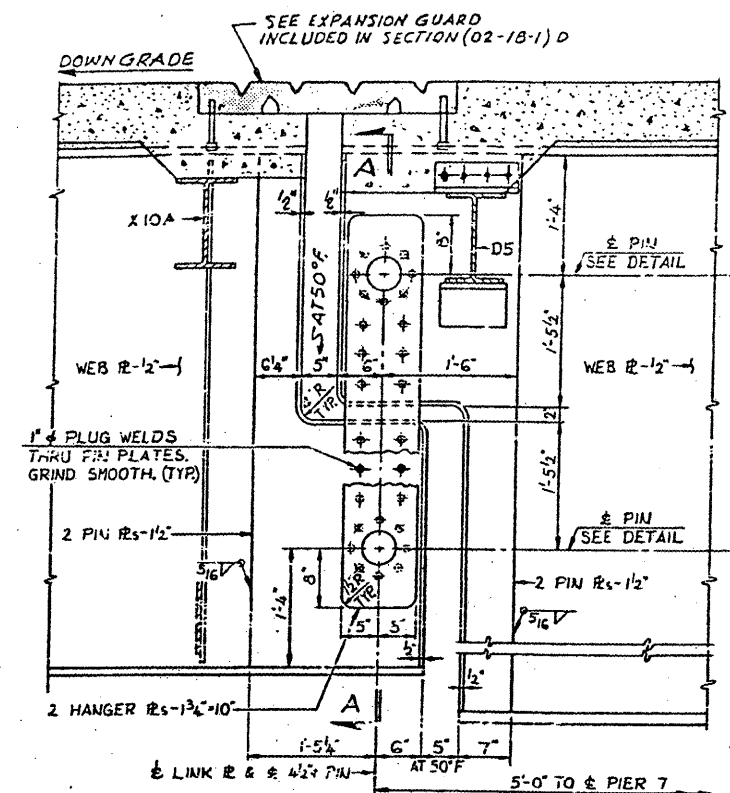
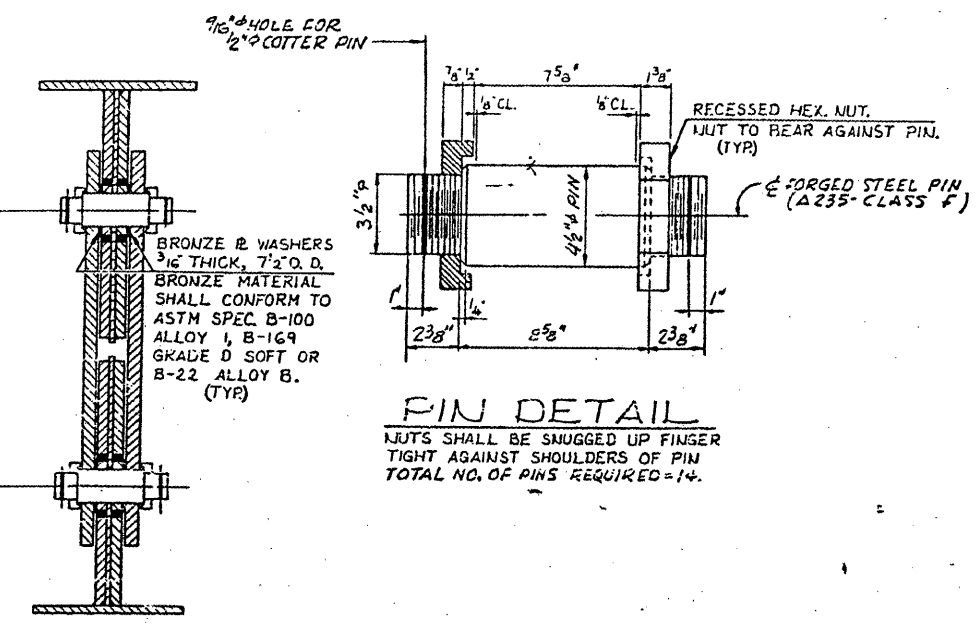


CONTRACT: 78040  
 ROUTE: F.A.I. 57  
 SECTION: (02-1B-1)P-1  
 COUNTY: ALEXANDER, IL; MISSISSIPPI, MO  
 SHEET 36 OF 67  
 FOR INFORMATION ONLY

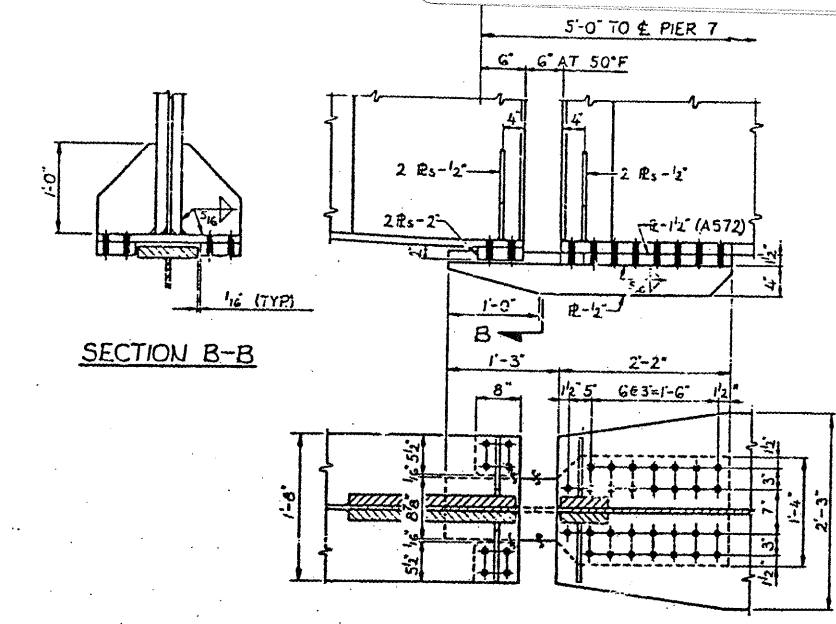


**LINK DETAILS - SPAN 7**  
 GIRDER 2 TO C SHOWN  
 GIRDERS 1 & 7 SIMILAR EXCEPT FOR WIND BRACING



**SECTION A-A**

**PIN DETAIL**  
 NUTS SHALL BE SNUGGED UP FINGER TIGHT AGAINST SHOULDERS OF PIN  
 TOTAL NO. OF PINS REQUIRED = 14.



**WIND BRACING AT LINK-SPAN 7**  
 GIRDER 1 & 7

**NOTES:**  
 ALL MATERIAL, ASTM A36 UNLESS NOTED.  
 ALL FASTENERS SHALL BE 7/8" ASTM A325 HIGH STRENGTH BOLTS UNLESS NOTED.

BRIDGE NO. 1  
 STRUCTURE NO. 002-0022  
 FOR INFORMATION ONLY

**STEEL DETAILS - SPANS 6 & 9A**  
**F.A.I. RTE. 57 OVER THE MISSISSIPPI RIVER**  
**PROJECT 1-57-9 (610)**  
**SECTION (02-1B-1)P**  
**ALEXANDER COUNTY, ILLINOIS**  
**MISSISSIPPI COUNTY, MISSOURI**  
**STA. 1141 + 84.75 TO STA. 1182 + 75.25**