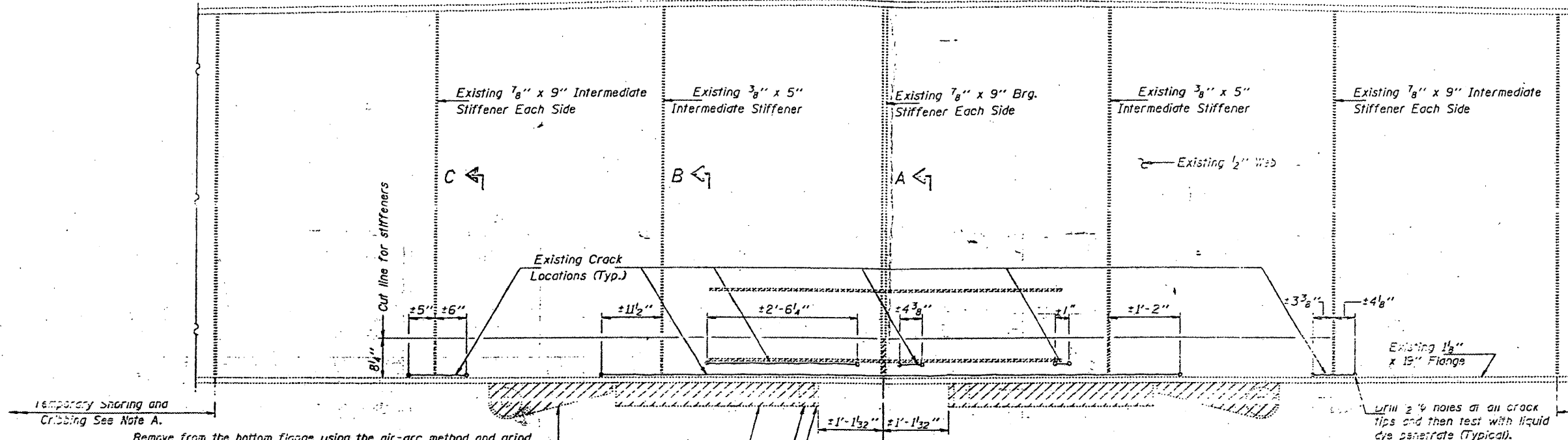
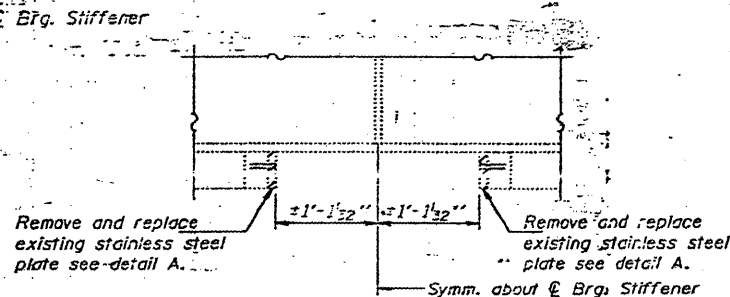


STATE OF ILLINOIS  
DEPARTMENT OF TRANSPORTATION

CONTRACT: 78040  
ROUTE: F.A.I. 57  
SECTION: (02-1B-1)P-1  
COUNTY: ALEXANDER, IL; MISSISSIPPI, MO  
SHEET 41 OF 67  
FOR INFORMATION ONLY

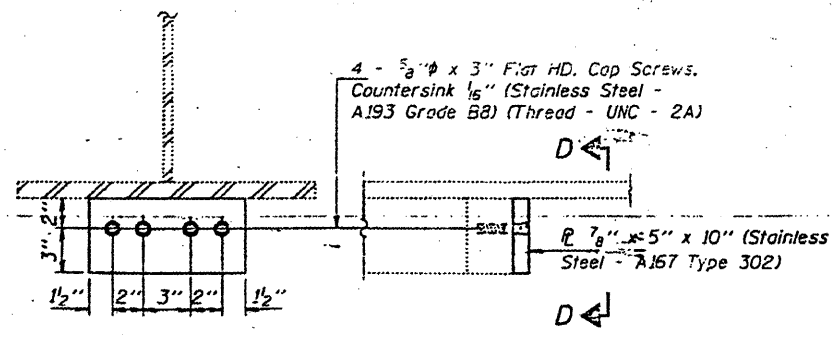
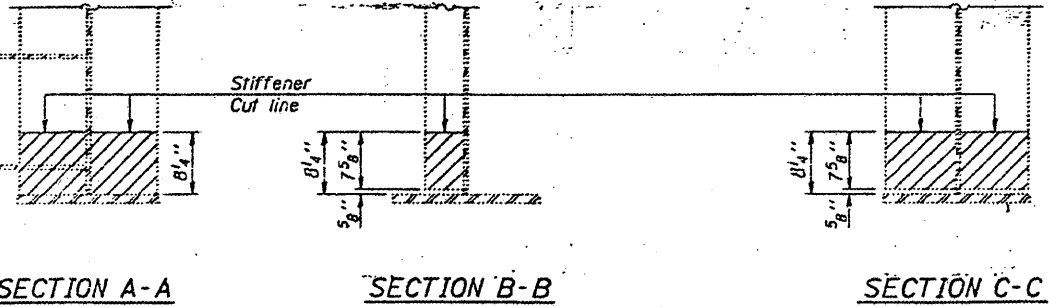


**PARTIAL ELEVATION  
NORTH END FLOOR BEAM  
AT PIER 11**  
Hatched areas indicate removal.



**PARTIAL ELEVATION  
SOUTH END FLOOR BEAM  
AT PIER 14**

Remove existing 1/2" gusset E's from the web using the air-arc method and grind smooth all weld material remaining on the web.



**SECTION D-D DETAIL A**  
Note: Cost of 5/8" φ x 3" Flat HD Cap Screws (Stainless Steel - A193 Grade B8) shall be incidental to Furnishing and Erecting Structural Steel.

Note A: At Pier 11, Temporary Shoring and Cribbing shall be placed between the existing floorbeam and the top of the pier during repair operations and traffic shall be restricted to lanes which are not directly over the area of the floorbeam being repaired.

BRIDGE NO. 1  
STRUCTURE NO. 002-0022  
FOR INFORMATION ONLY

**FLOOR BEAM REPAIRS**  
F.A.I. RT. 57 SEC. (02-1B-1) (DL-93)  
ALEXANDER COUNTY  
STA. 1168+50  
STR. No. 002-0022

DESIGNED <i>Hennrich P. Stult</i>	March 8 1993
CHECKED <i>CHM</i>	EXAMINED <i>Joseph E. Adams</i>
DRAWN <i>Paul Summer</i>	PASSED
CHECKED <i>KPS</i>	APPROVED