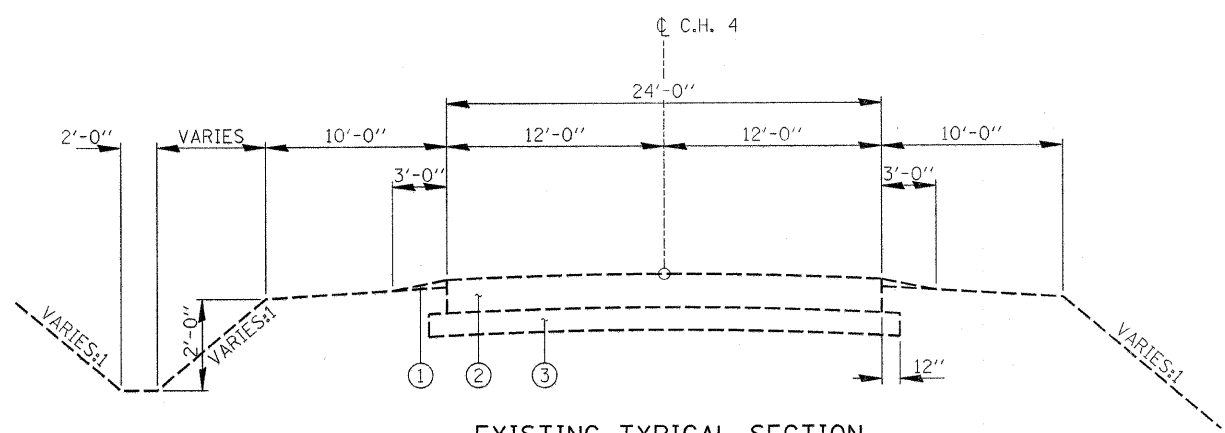
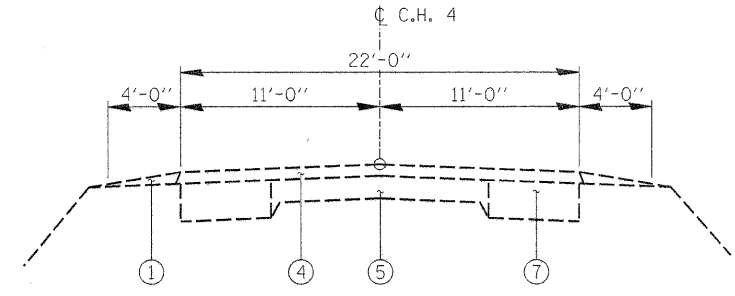


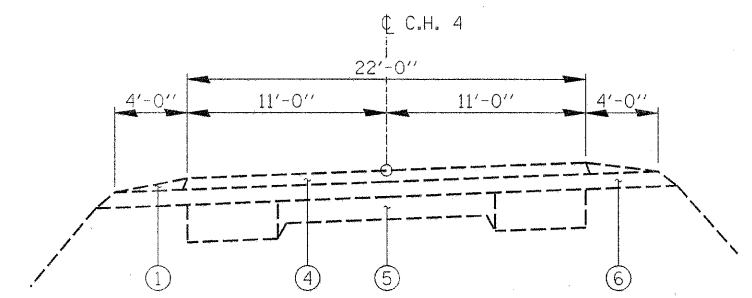
ROUTE NO.	SECTION	COUNTY	TOTAL SHEETS	SHEET NO.
F.A.S. 321	05-00205-02-RS	IROQUOIS	76	6
FED. ROAD DIST. NO.		ILLINOIS CONTRACT NO. 87383		



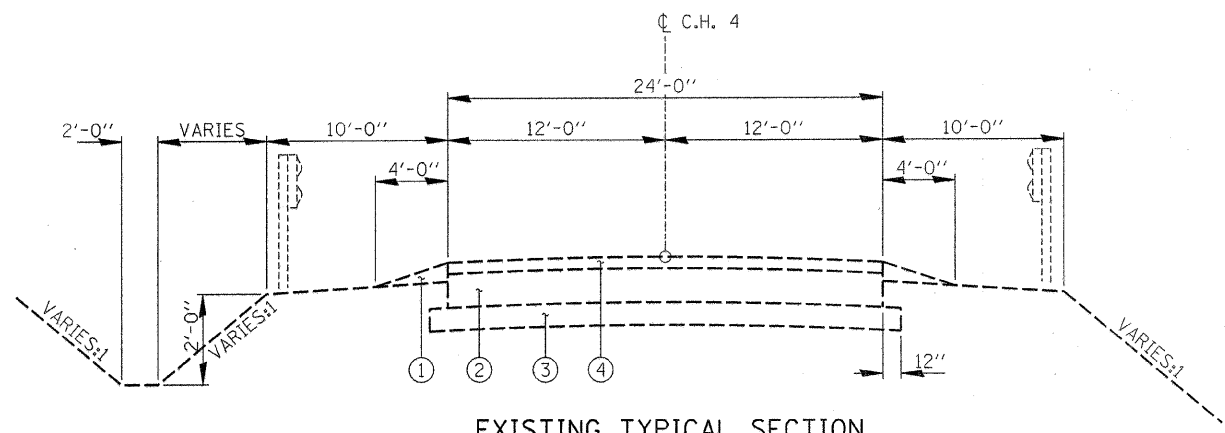
**EXISTING TYPICAL SECTION**  
 STA. 4+85.00 TO STA. 8+85.00  
 STA. 27+00.00 TO STA. 29+47.17  
 STA. 35+49.67 TO STA. 40+07.86  
 STA. 44+45.60 TO STA. 46+18.00



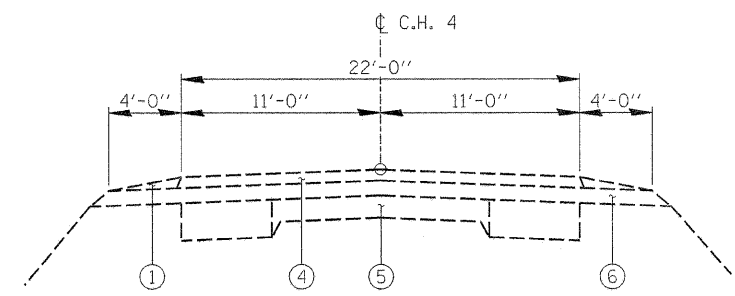
**EXISTING TYPICAL SECTION**  
 STA. 46+18.00 TO STA. 104+26.00  
 STA. 138+23.87 TO STA. 140+34.93  
 STA. 148+08.00 TO STA. 190+75.00



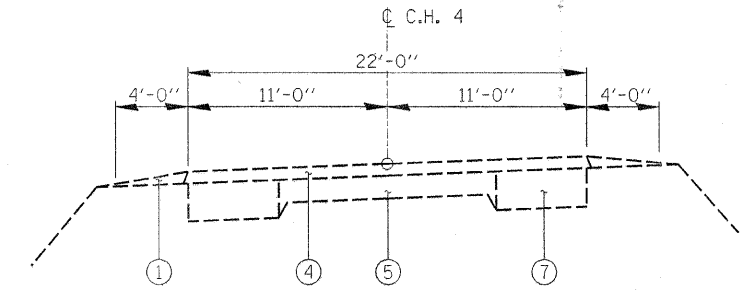
**EXISTING TYPICAL SUPER SECTION**  
 STA. 131+71.15 TO STA. 137+00.00  
 STA. 140+69.00 TO STA. 147+64.95



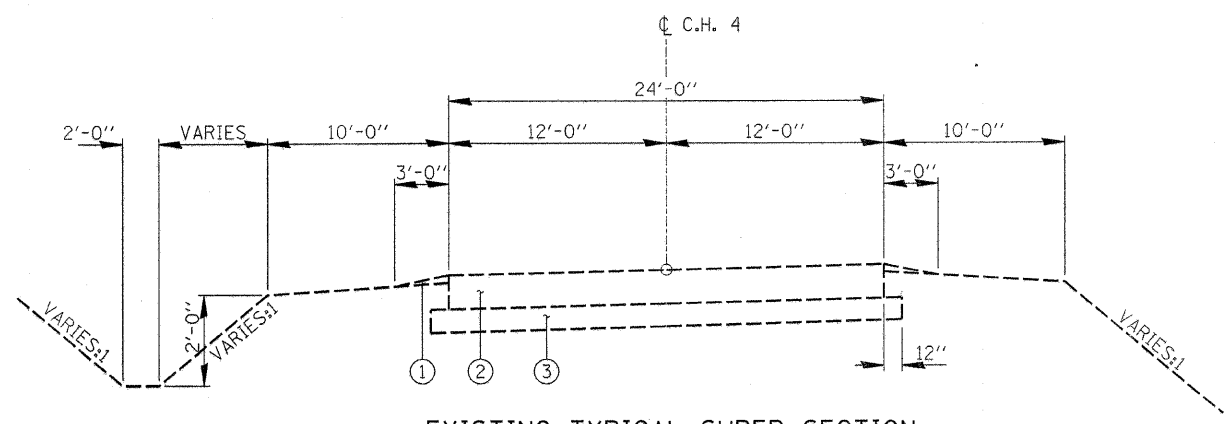
**EXISTING TYPICAL SECTION**  
 STA. 8+85.00 TO STA. 17+95.01  
 BRIDGE OMISSION STA. 17+95.01 TO STA. 20+54.27  
 STA. 20+54.27 TO STA. 27+00.00



**EXISTING TYPICAL SECTION**  
 STA. 104+26.00 TO STA. 131+71.15  
 STA. 147+64.95 TO STA. 148+08.00



**EXISTING TYPICAL SUPER SECTION**  
 STA. 137+00.00 TO STA. 138+23.87  
 STA. 140+34.93 TO STA. 140+69.00



**EXISTING TYPICAL SUPER SECTION**  
 STA. 29+47.17 TO STA. 35+49.67  
 STA. 40+07.86 TO STA. 44+45.60

**LEGEND**

- |  |   |
|--|---|
| ① EXISTING AGGREGATE SHOULDER TYPE B                                 | ⑪ BITUMINOUS MATERIALS (PRIME COAT)                     |
| ② EXISTING PCC CONCRETE PAVEMENT 9"                                  | ⑫ AGGREGATE (PRIME COAT)                                |
| ③ EXISTING SUB BASE GRANULAR MATERIAL, TYPE A 6"                     | ⑬ HOT-MIX ASPHALT SURFACE REMOVAL, BUTT-JOINT           |
| ④ EXISTING HMA SURFACE 3"  | ⑭ PORTLAND CEMENT CONCRETE SURFACE REMOVAL - BUTT JOINT |
| ⑤ EXISTING CONCRETE PAVEMENT 9-6-9                                   | ⑮ AGGREGATE WEDGE SHOULDER, TYPE B                      |
| ⑥ EXISTING AGGREGATE BASE COURSE TYPE A 4"                           | ⑯ INCIDENTAL HOT-MIX ASPHALT SURFACING                  |
| ⑦ EXISTING AGGREGATE BASE COURSE 9"                                  | ⑰ HOT-MIX ASPHALT SHOULDERS 3.25"                       |
| ⑧ HOT-MIX ASPHALT SURFACE COURSE, MIX C, N50 (1 1/2" THICKNESS MIN.) | ⑱ AGGREGATE SURFACE COURSE, TYPE B 6"                   |
| ⑨ LEVELING BINDER (MACHINE METHOD) N50 (1.75" THICKNESS MIN.)        |   |

PLOT DATE: 5/13/2008 FILE NAME: 468002-sh-t-typesections.dgn

**HAMPTON, LENZINI & RENWICK, INC.**  
 CIVIL & STRUCTURAL ENGINEERS  
 LAND SURVEYORS

**HLR**

3086 STEVENSON DRIVE, SUITE 201  
 SPRINGFIELD, ILLINOIS 62703  
 (217) 546-3400

ELGIN • SPRINGFIELD

PROJECT NUMBER: 07.0120.320      DATE: 05/06/08  
 DESIGNED: L.F.S.      CHECKED:      DRAWN: TWK

**EXISTING TYPICAL SECTIONS**  
 F.A.S. 321 / C.H. 4  
 SECTION 05-00205-02-RS  
 IROQUOIS COUNTY