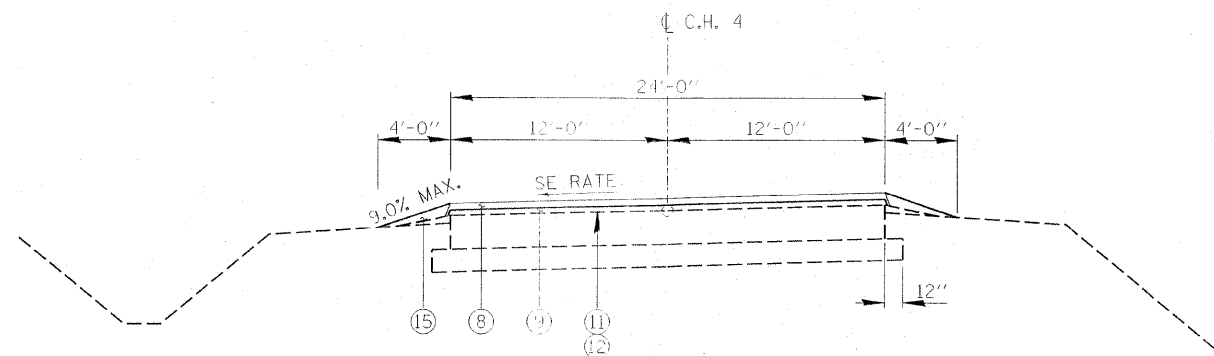
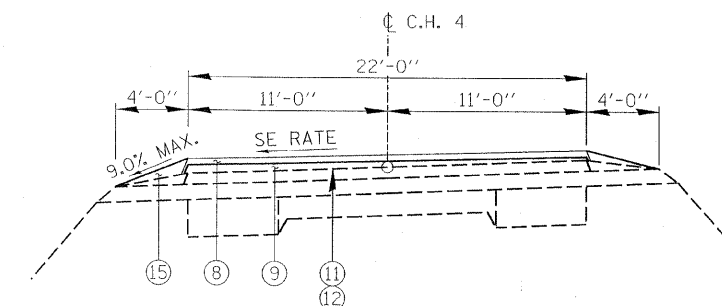


ROUTE NO.	SECTION	COUNTY	TOTAL SHEETS	SHEET NO.
F.A.S. 321	05-00205-02-RS	IROQUOIS	76	8
FED. ROAD DIST. NO.		ILLINOIS CONTRACT NO. 87363		



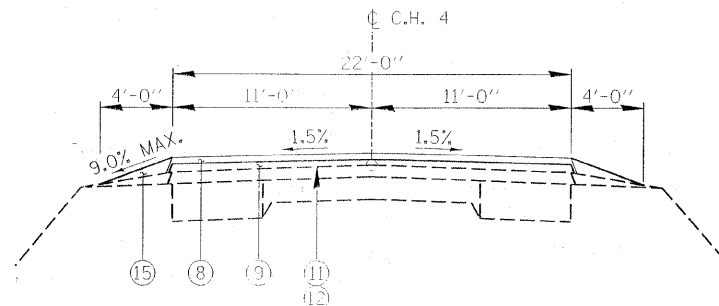
PROPOSED TYPICAL SECTION

STA. 30+00.00 TO STA. 35+49.67
STA. 40+07.86 TO STA. 44+45.60



PROPOSED TYPICAL SUPER SECTION

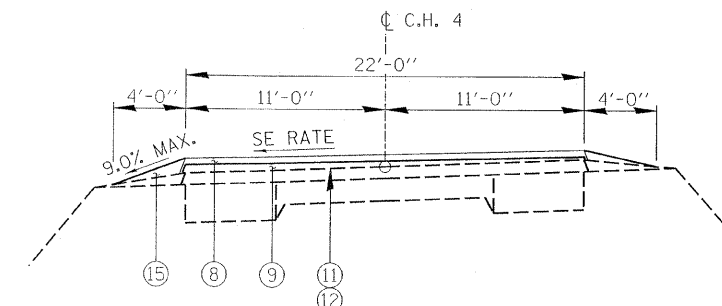
STA. 131+71.15 TO STA. 137+00.00
STA. 140+69.00 TO STA. 147+64.95



PROPOSED TYPICAL SECTION

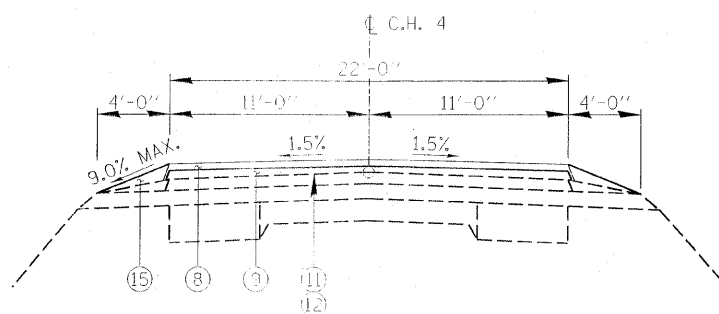
STA. 46+48.00 TO STA. 104+26.00
STA. 138+23.87 TO STA. 140+34.93
STA. 148+08.00 TO STA. 190+75.00

PAVEMENT DESIGN
C.H. 4 STA. 48+16.00 TO STA. 190+75.00
DESIGN PERIOD 11 YEARS
STRUCTURAL DESIGN TRAFFIC (S.D.T.) = 1471 YEAR 2014
P.V. = 1295 S.U. = 103 M.U. = 74
CLASS III ROAD
PERCENT OF S.D.T. IN DESIGN LANE P = 50% S = 50% M = 50%
80,000 LB. LOAD LIMIT
DESIGN PER CHAPTER 37 SECTION 8.08 OF THE BUREAU OF LOCAL ROADS AND STREETS MANUAL
TRAFFIC FACTOR = 0.22
SN _e = 3.3
SN _e = 2
1.5" HMA SURFACE $\sigma_1 = .6$
1.75" LEVELING BINDER $\sigma_2 = .7$
LAPP THICKNESS 3.25" MAX.



PROPOSED TYPICAL SUPER SECTION

STA. 137+00.00 TO STA. 138+23.87
STA. 140+34.93 TO STA. 140+69.00



PROPOSED TYPICAL SECTION

STA. 104+26.00 TO STA. 131+71.15
STA. 147+64.95 TO STA. 148+08.00

LEGEND

- | | |
|--|---|
| ① EXISTING AGGREGATE SHOULDER TYPE B | ⑪ BITUMINOUS MATERIALS (PRIME COAT) |
| ② EXISTING PCC CONCRETE PAVEMENT 9" | ⑫ AGGREGATE (PRIME COAT) |
| ③ EXISTING SUB BASE GRANULAR MATERIAL, TYPE A 6" | ⑬ HOT-MIX ASPHALT SURFACE REMOVAL, BUTT-JOINT |
| ④ EXISTING HMA SURFACE 3" | ⑭ PORTLAND CEMENT CONCRETE SURFACE REMOVAL - BUTT JOINT |
| ⑤ EXISTING CONCRETE PAVEMENT 9-6-9 | ⑮ AGGREGATE WEDGE SHOULDER, TYPE B |
| ⑥ EXISTING AGGREGATE BASE COURSE TYPE A 4" | ⑯ INCIDENTAL HOT-MIX ASPHALT SURFACING |
| ⑦ EXISTING AGGREGATE BASE COURSE 9" | ⑰ HOT-MIX ASPHALT SHOULDERS 3.25" |
| ⑧ HOT-MIX ASPHALT SURFACE COURSE, MIX C, N50 (1 1/2" THICKNESS MIN.) | ⑱ AGGREGATE SURFACE COURSE, TYPE B 6" |
| ⑨ LEVELING BINDER (MACHINE METHOD) N50 (1.75" THICKNESS MIN) | |

PLOT DATE 15/13/2008 FILE NAME = 46002-shr-typsections.dgn

<p>HAMPTON, LENZINI & RENWICK, INC. CIVIL & STRUCTURAL ENGINEERS LAND SURVEYORS</p> <p>HLR</p> <p>3085 STEVENSON DRIVE, SUITE 201 SPRINGFIELD, ILLINOIS 62703 (217) 546-3400</p> <p>ELGIN • SPRINGFIELD</p>		<p>PROPOSED TYPICAL SECTIONS F.A.S. 321 / C.H. 4 SECTION 05-00205-02-RS IROQUOIS COUNTY</p>
PROJECT NUMBER: 07 0120 320	DATE: 05/06/08	
DESIGNED: L.F.S.	CHECKED: DRAWN: TWR	