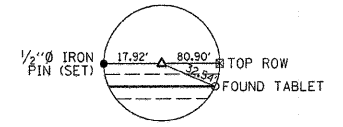
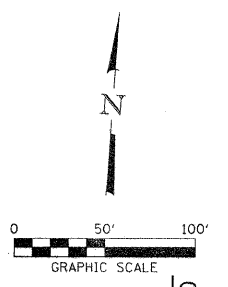


SEC 2, T. 28 N., R. 14 W., 2ND P.M.

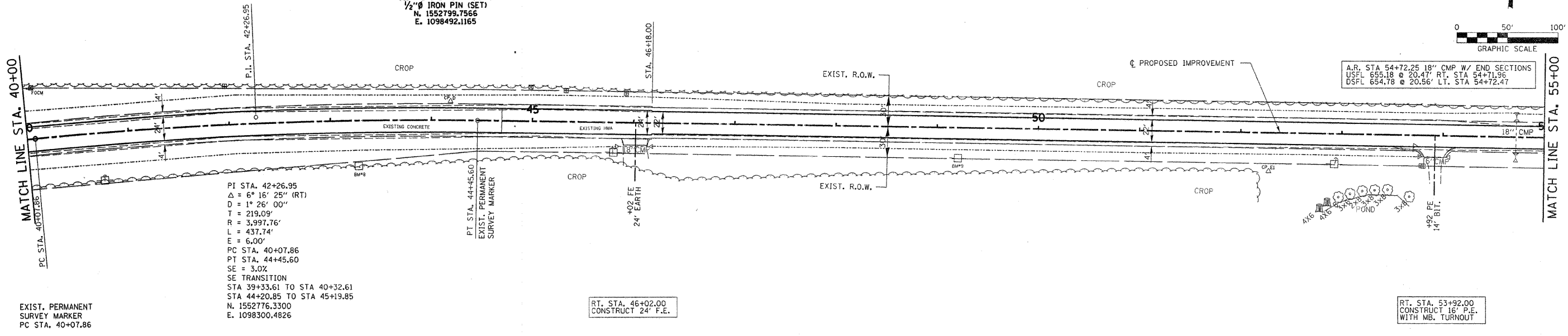


CP D
18.4' LT. STA. 44+18.83
1/2" IRON PIN (SET)
N. 1552799.7566
E. 1098492.1165



DATE	
BY	
SURVEYED	
ALIGNED	
CHECKED	
NO. _____	
NOTE BOOK	
NO. _____	
FILE NAME	

MATCH LINE STA. 40+00



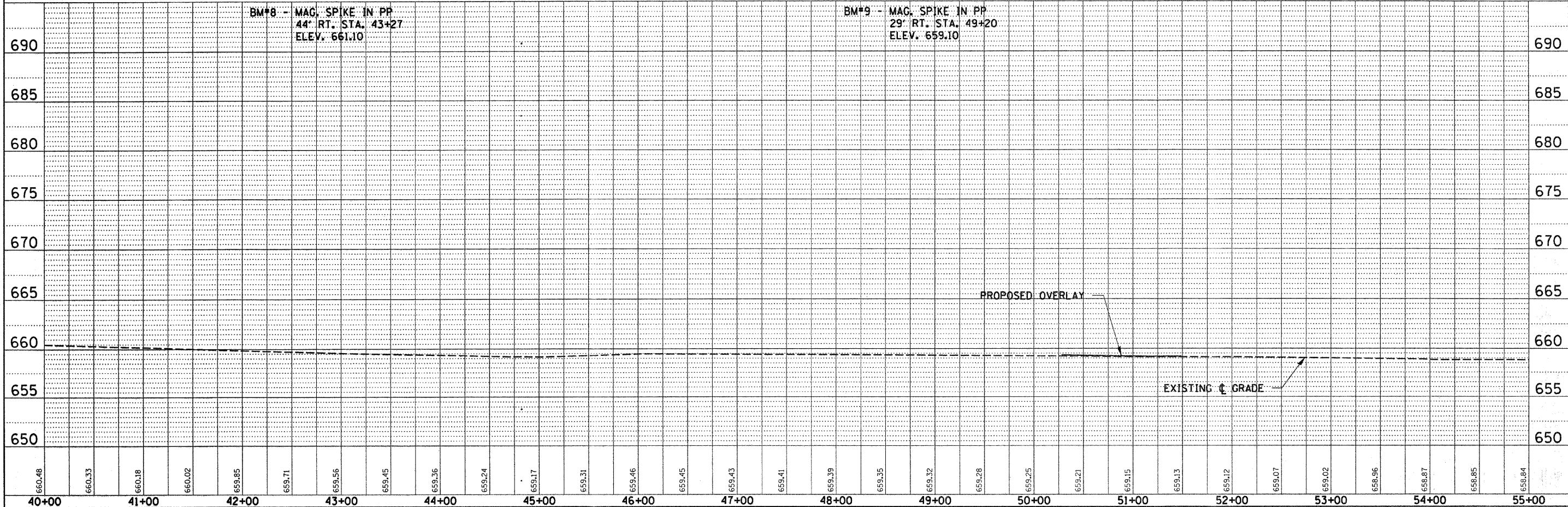
PI STA. 42+26.95
Δ = 6° 16' 25" (RT)
D = 1° 26' 00"
T = 219.09'
R = 3,997.76'
L = 437.74'
E = 6.00'
PC STA. 40+07.86
PT STA. 44+45.60
SE = 3.0%
SE TRANSITION
STA 39+33.61 TO STA 40+32.61
STA 44+20.85 TO STA 45+19.85
N. 1552776.3300
E. 1098300.4826

RT. STA. 46+02.00
CONSTRUCT 24' F.E.


A.R. STA 54+72.25 18" CMP W/ END SECTIONS
USFL 655.18 @ 20.47' RT. STA 54+71.96
DSFL 654.78 @ 20.56' LT. STA 54+72.47

EXIST. PERMANENT
SURVEY MARKER
PC STA. 40+07.86

SEC 11, T. 28 N., R. 14 W., 2ND P.M.



DATE	
BY	
SURVEYED	
GRADES CHECKED	
BLM. NOTED	
PROF. CHECKED	
NO. _____	
NOTE BOOK	
NO. _____	
FILE NAME	

FILE NAME = 46802-sh1-pp04.dgn	USER NAME =	DESIGNED -	REVISED -	<p align="center">STATE OF ILLINOIS DEPARTMENT OF TRANSPORTATION</p>  <p>HAMPTON, LENZINI & RENWICK, INC. CIVIL & STRUCTURAL ENGINEERS LAND SURVEYORS</p>	<p align="center">PLAN & PROFILE F.A.S. 321 / CH 4</p>	F.A.S.	SECTION	COUNTY	TOTAL SHEETS
PLOT SCALE =	CHECKED -	REVISED -	321			05-00205-02-RS	IROUOIS	76	12
PLOT DATE = 5/13/2008	DATE -	REVISED -	CONTRACT NO. 87363						
			FED. ROAD DIST. NO. [ILLINOIS] FED. AID PROJECT						