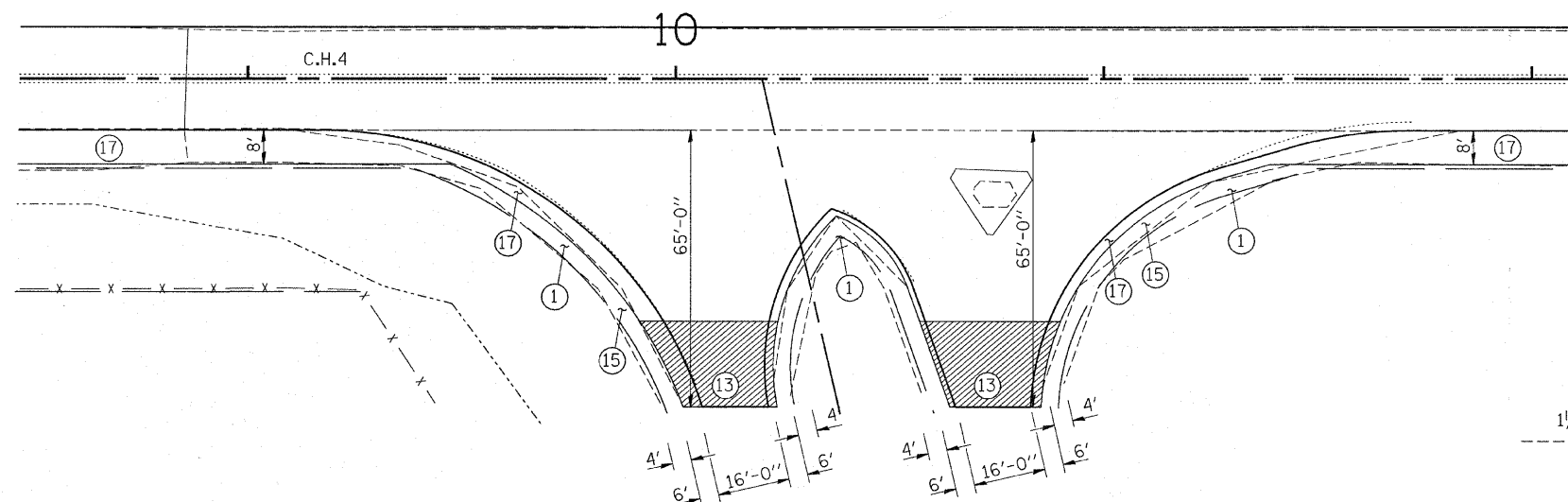
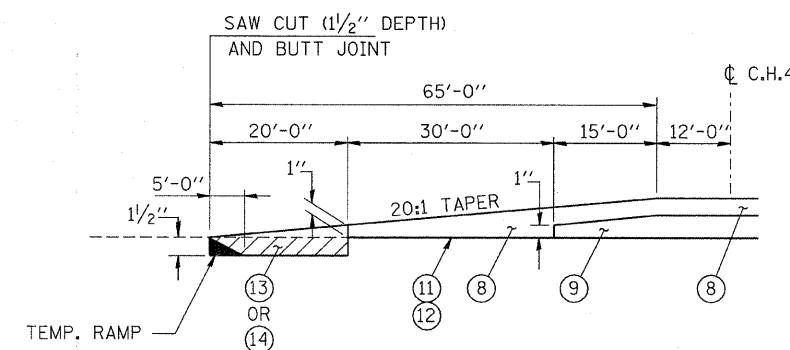


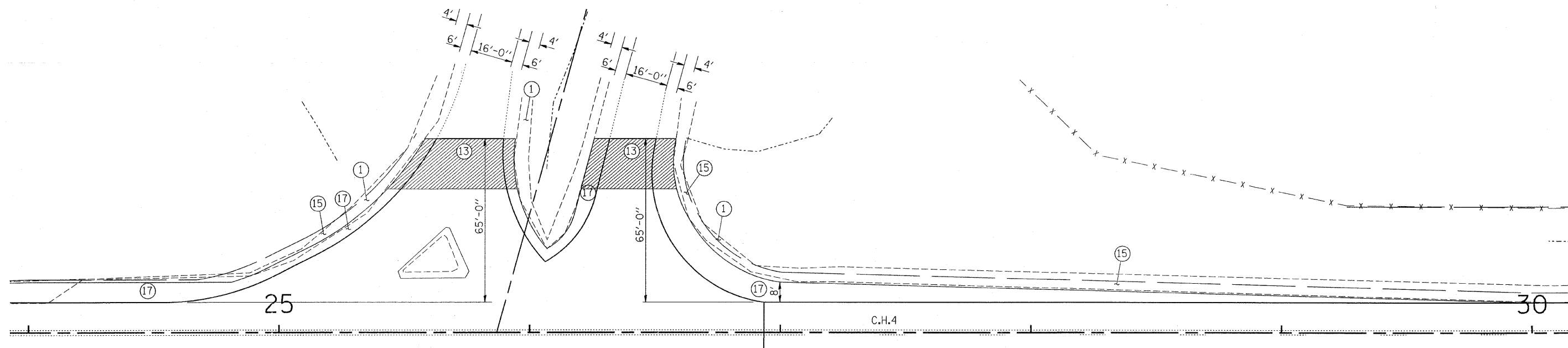
ROUTE NO. F.A.S. 321	SECTION 05-00205 -02-RS	COUNTY IROQUOIS	TOTAL SHEETS 76	SHEET NO. 24
FED. ROAD DIST. NO.		ILLINOIS CONTRACT NO. 87383		



I-57 RAMP A&C DETAIL



PAVEMENT TRANSITION DETAIL



I-57 RAMP B&D DETAIL

LEGEND

- | | |
|--|---|
| ① EXISTING AGGREGATE SHOULDER TYPE B | ⑪ BITUMINOUS MATERIALS (PRIME COAT) |
| ② EXISTING PCC CONCRETE PAVEMENT 9" | ⑫ AGGREGATE (PRIME COAT) |
| ③ EXISTING SUB BASE GRANULAR MATERIAL, TYPE A 6" | ⑬ HOT-MIX ASPHALT SURFACE REMOVAL, BUTT-JOINT |
| ④ EXISTING HMA SURFACE 3" | ⑭ PORTLAND CEMENT CONCRETE SURFACE REMOVAL - BUTT JOINT |
| ⑤ EXISTING CONCRETE PAVEMENT 9-6-9 | ⑮ AGGREGATE WEDGE SHOULDER, TYPE B |
| ⑥ EXISTING AGGREGATE BASE COURSE TYPE A 4" | ⑯ INCIDENTAL HOT-MIX ASPHALT SURFACING |
| ⑦ EXISTING AGGREGATE BASE COURSE 9" | ⑰ HOT-MIX ASPHALT SHOULDERS 3.25" |
| ⑧ HOT-MIX ASPHALT SURFACE COURSE, MIX C, N50 (1 1/2" THICKNESS MIN.) | ⑱ AGGREGATE SURFACE COURSE, TYPE B 6" |
| ⑨ LEVELING BINDER (MACHINE METHOD) N50 (1.75" THICKNESS MIN) | |

HAMPTON, LENZINI & RENWICK, INC.
 CIVIL & STRUCTURAL ENGINEERS
 LAND SURVEYORS

HLR

3085 STEVENSON DRIVE, SUITE 201
 SPRINGFIELD, ILLINOIS 62703
 (217) 546-3400

ELGIN • SPRINGFIELD

PROJECT NUMBER: 07.0120.320 DATE: 05/07/08
 DESIGNED: L.F.S. CHECKED: DRAWN: W.J.S.

I-57 RAMP DETAILS
 F.A.S. 321 / C.H. 4
 SECTION 05-00205-02-RS
 IROQUOIS COUNTY

PLOT DATE : 5/16/2008 FILE NAME = 46002-shit-rampdet.dgn