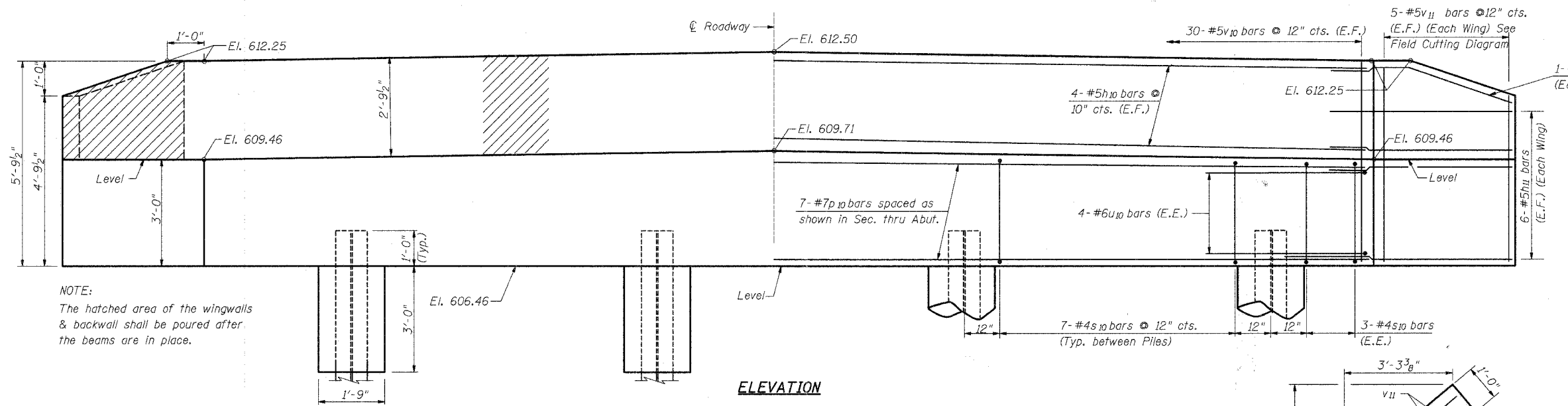


ROUTE NO.	SECTION	COUNTY	TOTAL SHEETS	SHEET NO.
TR 50	*	CHRISTIAN	20	14
FED. ROAD DIST. NO. 7		ILLINOIS PROJECT		
* 04-12112-00-BR		SHEET 4 OF 5		

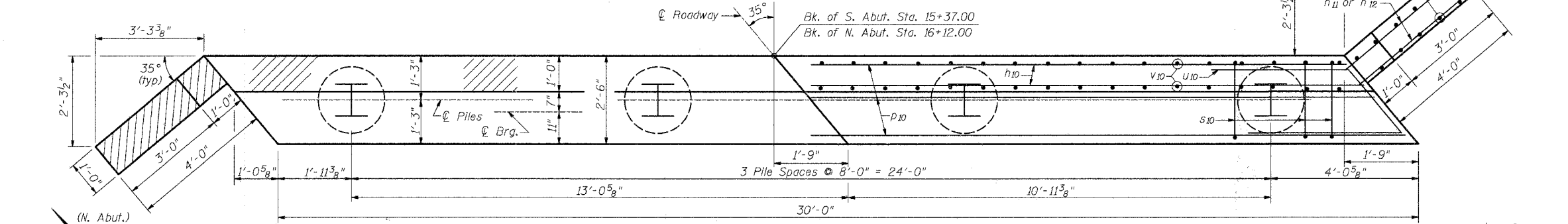


BILL OF MATERIAL

(2 Abutments)

Bar	No.	Size	Length	Shape
h ₁₀	16	#5	29'-8"	—
h ₁₁	48	#5	7'-2"	—
h ₁₂	8	#5	7'-5"	—
p ₁₀	14	#7	29'-6"	—
s ₁₀	54	#4	10'-3"	□
u ₁₀	16	#6	7'-11"	□
v ₁₀	120	#5	5'-5"	—
v ₁₁	20	#5	9'-10"	—

ITEM	UNIT	QUANTITY
Structure Excavation	Cu. Yd.	41
Concrete Structures	Cu. Yd.	26.8
Reinforcement Bars	Pound	3,210
Furnishing Steel Piles HP10x42	Foot	204
Driving Piles	Foot	204
Test Pile Steel HP10x42	Each	2
Pipe Underdrain for Structures 6"	Foot	122
Concrete Encasement	Cu. Yd.	2.8



PILE DATA

Type & Size: Steel HP 10 x 42
 Nominal Required Bearing: 333 kips
 Allowable Resistance Available: 111 kips
 Est. Length: 34' South Abut.
 34' North Abut.
 No. of Production Piles: 6
 No. of Test Piles: 2

