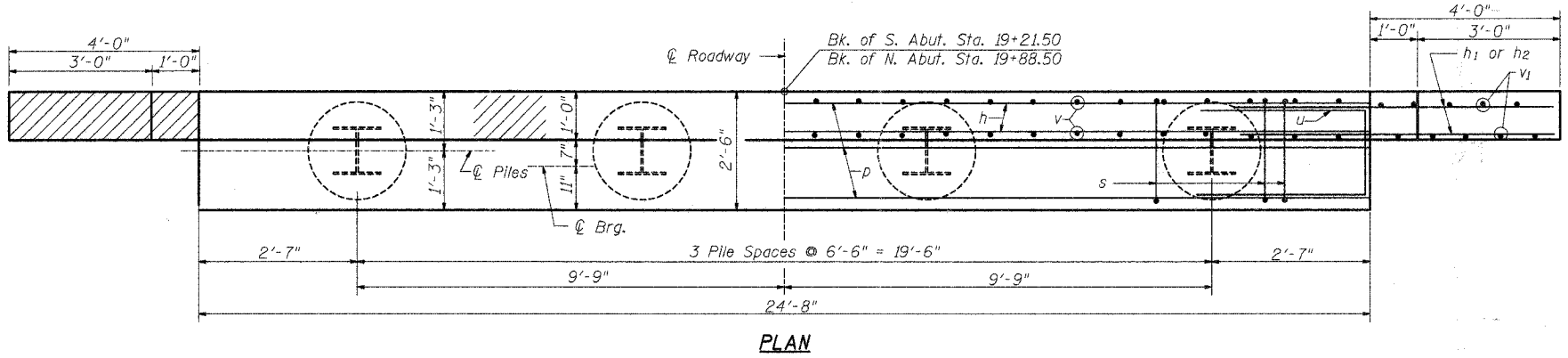


NOTE:
 The hatched area of the wingwalls & backwall shall be poured after the beams are in place.

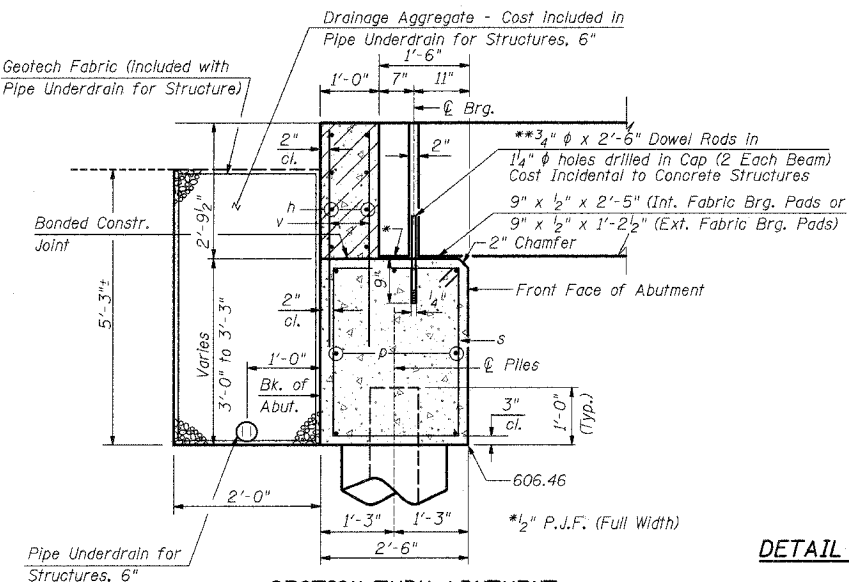


BILL OF MATERIAL
 (2 Abutments)

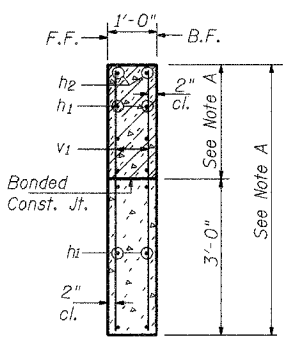
Bar	No.	Size	Length	Shape
h	16	#5	24'-5"	—
h1	48	#5	7'-0"	—
h2	8	#5	7'-0"	—
p	14	#7	24'-4"	—
s	48	#4	10'-3"	□
u	16	#6	7'-4"	□
v	100	#5	5'-5"	—
v1	20	#5	9'-10"	—

ITEM	UNIT	QUANTITY
Structure Excavation	Cu. Yd.	16
Concrete Structures	Cu. Yd.	22.6
Reinforcement Bars	Pound	2,790
Furnishing Steel Piles		
HP10x42	Foot	186
Driving Piles	Foot	186
Test Pile Steel HP10x42	Each	2
Pipe Underdrain for Structures 6"	Foot	102
Concrete Encasement	Cu. Yd.	2.8

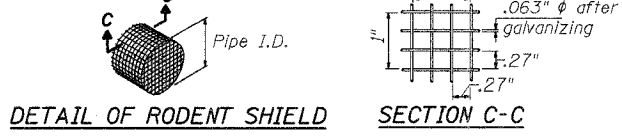
PILE DATA
 Type & Size: Steel HP 10 x 42
 Nominal Required Bearing: 335 kips
 Allowable Resistance Available: 112 kips
 Est. Length: 31' South Abut.
 31' North Abut.
 No. of Production Piles: 6
 No. of Test Piles: 2



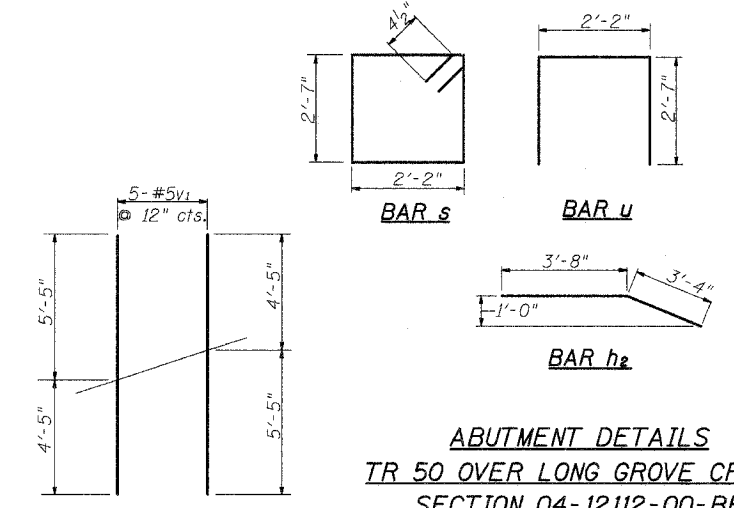
SECTION THRU ABUTMENT
 (51.0 Lin. Ft. S. Abut.)
 (51.0 Lin. Ft. N. Abut.)
 **Dowel Rods to be grouted after beams are in place and prior to grouting the shear keys.



SECTION THRU WINGWALLS
 NOTE A: See Elev. given on Elev. View



The Rodent Shield shall have the configuration shown and be constructed from Hot Dip Galvanized Steel Industrial Wire Cloth 3x3 Mesh, .063"x.063" Wire Size. Other Submitted Designs for a Removable Rodent Shield will be allowed with the approval of the Engineer. Cost included with Pipe Underdrain for Structures, 6".



FIELD CUTTING DIAGRAM
 Order v1 bars full length, cut to fit in field and use remainder in opposite face.

ABUTMENT DETAILS
 TR 50 OVER LONG GROVE CREEK
 SECTION 04-12112-00-BR
 CHRISTIAN COUNTY
 S.N. 011-3403
 STA. 19+55.00