

ROUTE	SECTION	COUNTY	TOTAL SHEETS	SHEET NO.
TR 454	06-19125-00-BR	FAYETTE	9	9
FED. ROAD DIST. NO. 7	ILLINOIS	FED. AID PROJECT		
CONTRACT NO. 95532				

PILE DATA

Type and Size:	Steel HP12x53
Nominal Required Bearing:	418 kips
Allowable Resistance Available:	139 kips
Estimated Length:	
South Abutment:	51 Foot
North Abutment:	44 Foot
Number of Production Piles:	
South Abutment:	3 Each
North Abutment:	4 Each
Number of Test Piles:	
South Abutment:	1 Each
North Abutment:	None

BILL OF MATERIALS				
ONE ABUTMENT w/ WINGWALLS				
Bar	No.	Size	Length	Shape
h	20	#5	5'-6"	
h ₁	12	#5	4'-6"	
h ₂	4	#5	23'-8"	
n	47	#5	5'-0"	
p	12	#7	24'-8"	
s	30	#4	9'-5"	
u	6	#6	8'-1"	
v	24	#5	5'-0"	CUT IN FIELD
Concrete Structures			/Cu. Yd.	9.1
Concrete Encasement			Cu. Yd.	1.4
Reinforcement Bars			Pound	1510

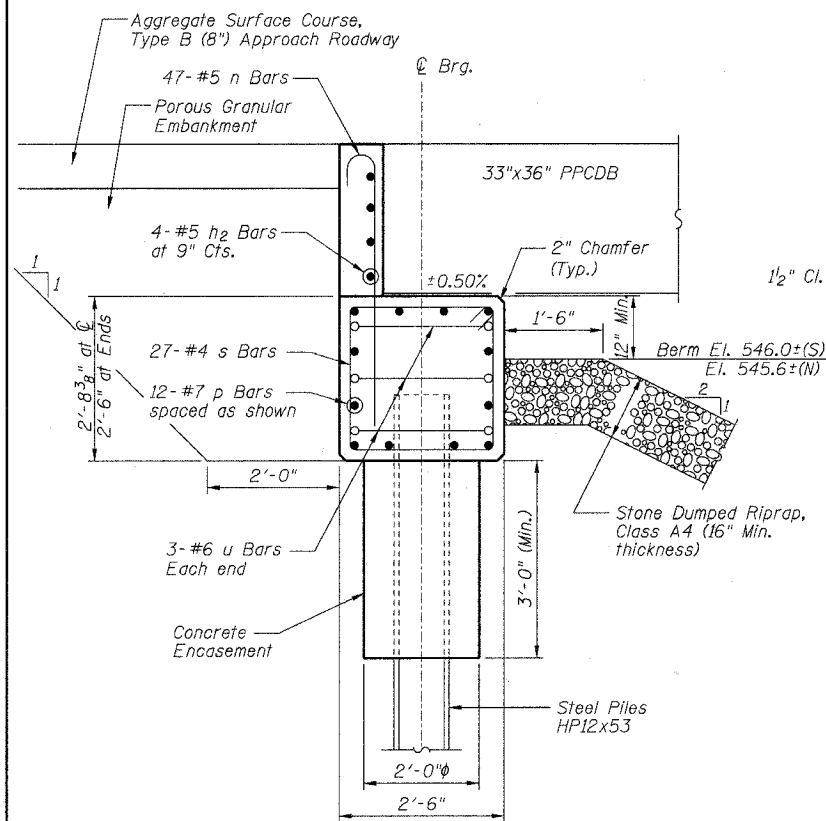
GENERAL NOTES

All exposed edges shall have standard 3/4" chamfer, unless otherwise noted.

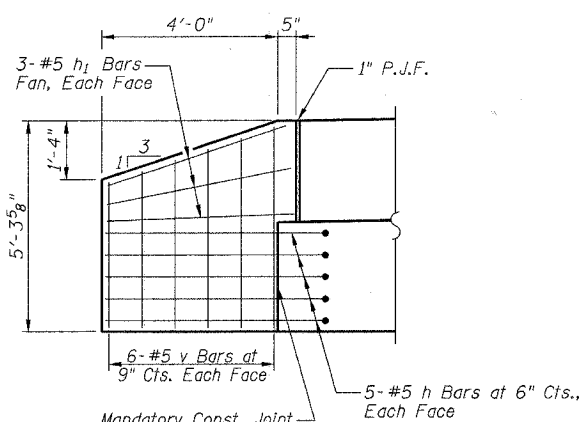
All clearances between reinforcement bars and form surface shall be 2", unless otherwise noted.

Space reinforcement in abutment cap to miss PPCDB bars.

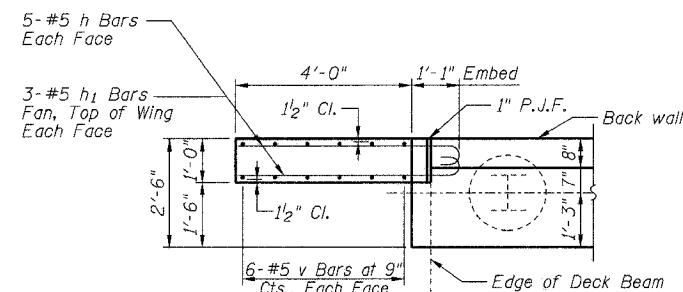
The steel H-piles shall be according to AASHTO M270, Grade 50.



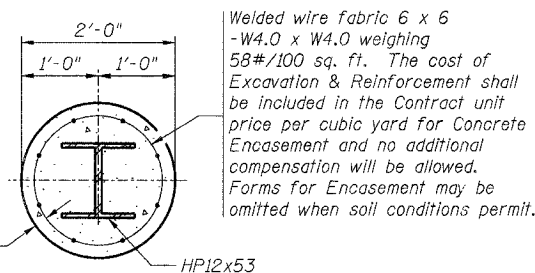
SECTION THRU ABUTMENT
Normal to Abutment



ELEVATION OF WINGWALL



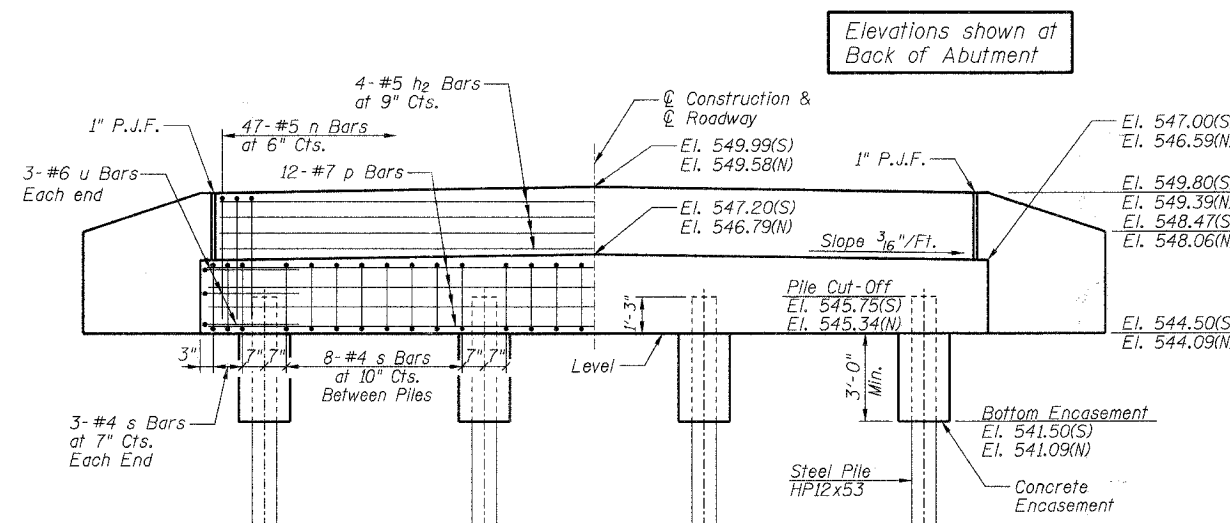
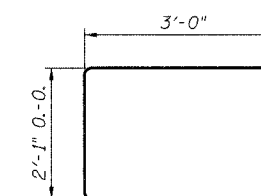
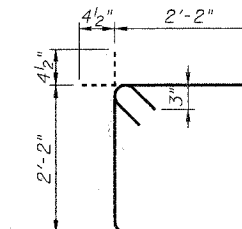
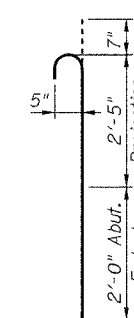
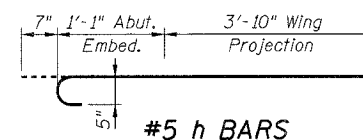
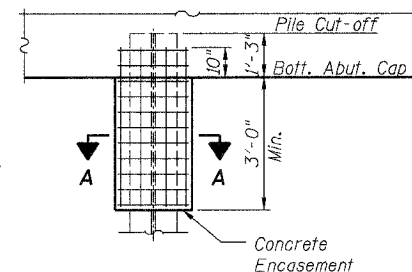
WINGWALL CONNECTION DETAIL



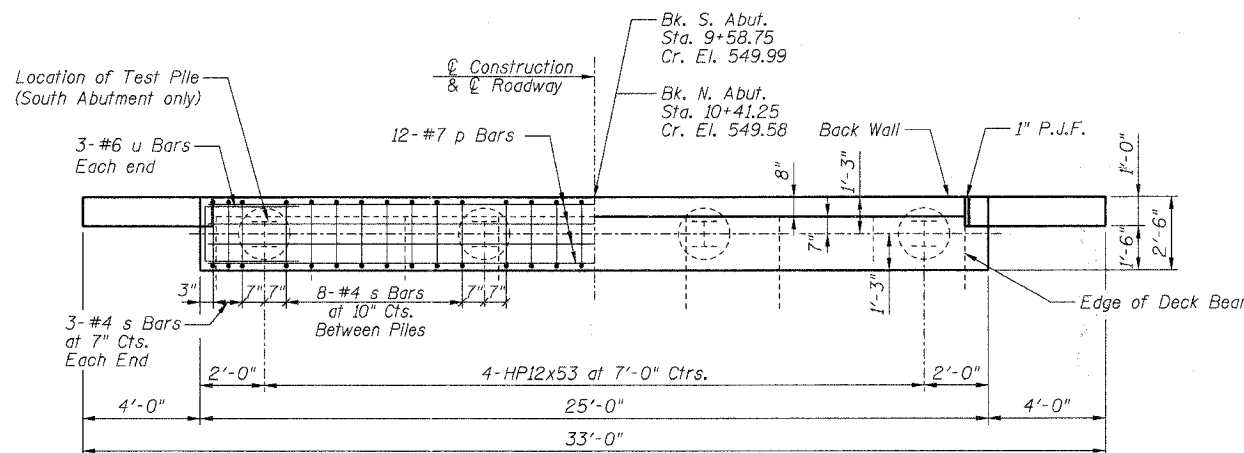
SECTION A-A

PILE ENCASEMENT DETAIL

Welded wire fabric 6 x 6 - W4.0 x W4.0 weighing 58#/100 sq. ft. The cost of Excavation & Reinforcement shall be included in the Contract unit price per cubic yard for Concrete Encasement and no additional compensation will be allowed. Forms for Encasement may be omitted when soil conditions permit.



ELEVATION



PLAN

ABUTMENT DETAILS
PROPOSED BRIDGE OVER
HICKORY CREEK
TR 454
SECTION 06-19125-00-BR
FAYETTE COUNTY, ILLINOIS