

SEC. THRU ABUT.

BILL OF MATERIAL
TWO ABUTMENTS

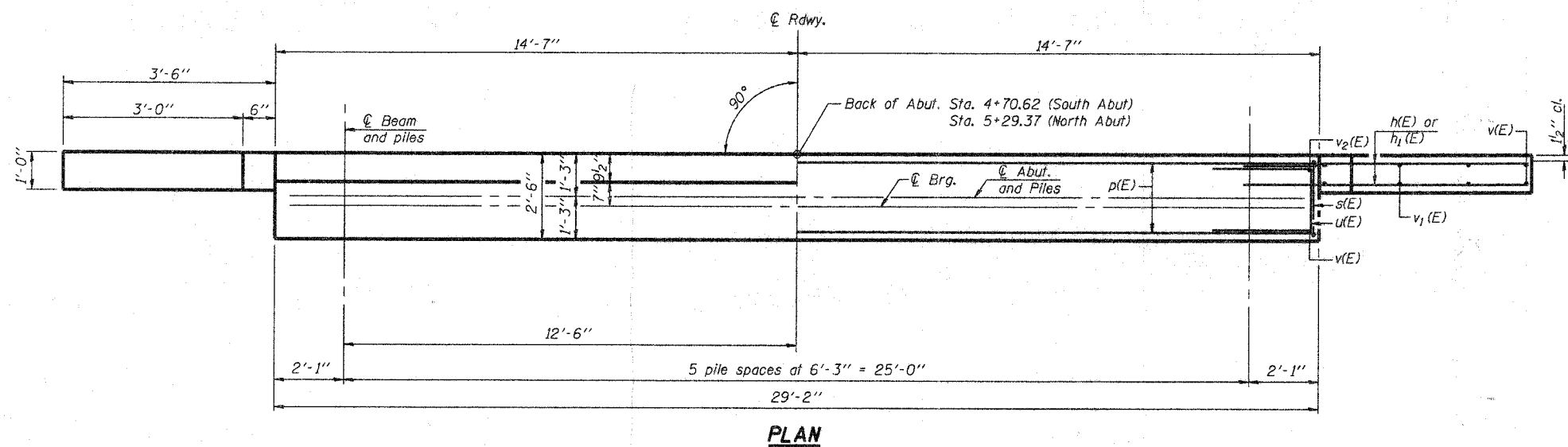
Bar No.	Size	Length	Shape
h(E)	#4	5'-0"	—
h ₁ (E)	#4	5'-3"	—
h ₂ (E)	#4	28'-10"	—
p(E)	#7	28'-10"	—
s(E)	#4	9'-5"	□
u(E)	#6	11'-1"	—
v(E)	#4	3'-2"	—
v ₁ (E)	#4	4'-2"	—
v ₂ (E)	#4	3'-11"	—
Structure Excavation	Cu. Yd.	80.9	
Concrete Structures	Cu. Yd.	20.8	
Reinforcement Bars, Epoxy Coated	Pound	2580	
Furnishing Steel Piles HP 10x42	Foot	295	
Driving Piles	Foot	295	
Concrete Encasement	Cu. Yd.	3.5	
Test Piles Steel HP 10x42	Each	1	

For details of piles and Concrete Encasement, see sheet 6 of 7.

ESI CONSULTANTS, LTD
725 WINDSOR ROAD
CHARLESTON, IL 61920
(217) 345-1800
WWW.ESICONSULTANTS.LTD.COM
ILLINOIS DEPARTMENT OF PROFESSIONAL REGULATION REGISTRATION #164-033685

ABUTMENT DETAILS
F.A.S. 1705
OVER TURKEY CREEK
SECTION 08-00110-00-BR
JASPER COUNTY
STATION 5+00

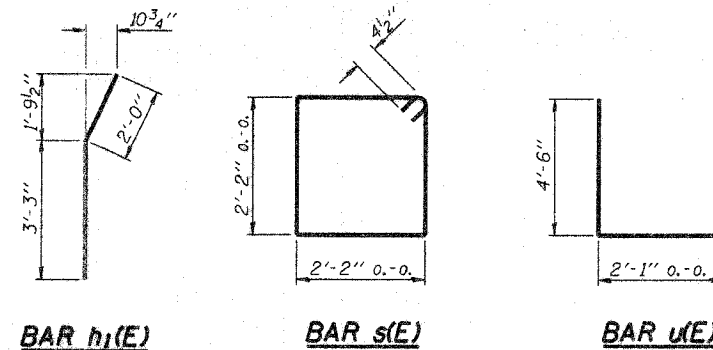
DATE: 05-07-08 DRAWN BY: ADG CHECKED BY: DF



PLAN

PILE DATA (2-ABUTS.)

Type	STEEL HP 10x42
Nominal Required Bearing	335 kips
Featured Resistance Available	167 kips
Estimated Pile Length	35 Feet North Abut. and 30 Feet South Abut.
Number of Production Piles	9
Number of Test Piles	1



Notes

The Backwall and the portion of the Wingwalls above the bonded construction joint shall be cast against the in-place beam.
Space reinforcement in cap to miss anchor bolts.