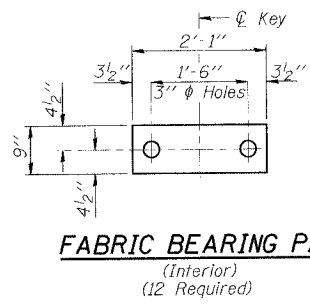
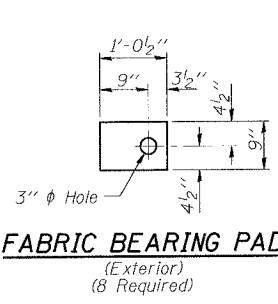


| | | | | |
|---|----------------|--------|--------------|-----------|
| T.R. RTE. | SECTION | COUNTY | TOTAL SHEETS | SHEET NO. |
| 77 | 05-09111-00-BR | JERSEY | 10 | 5 |
| CONTRACT NO. 97344 | | | | |
| FED. ROAD DIST. NO. ILLINOIS FED. AID PROJECT | | | | |

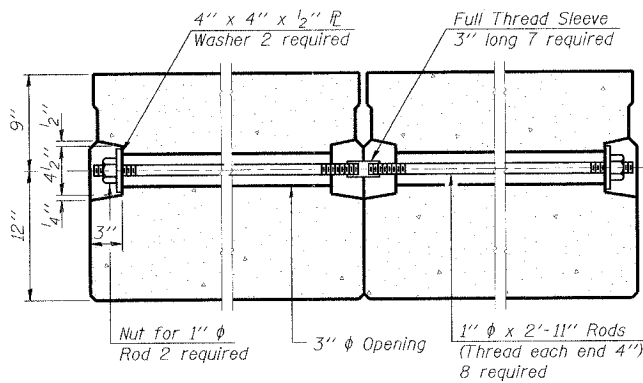


FABRIC BEARING PAD
(Interior)
(12 Required)

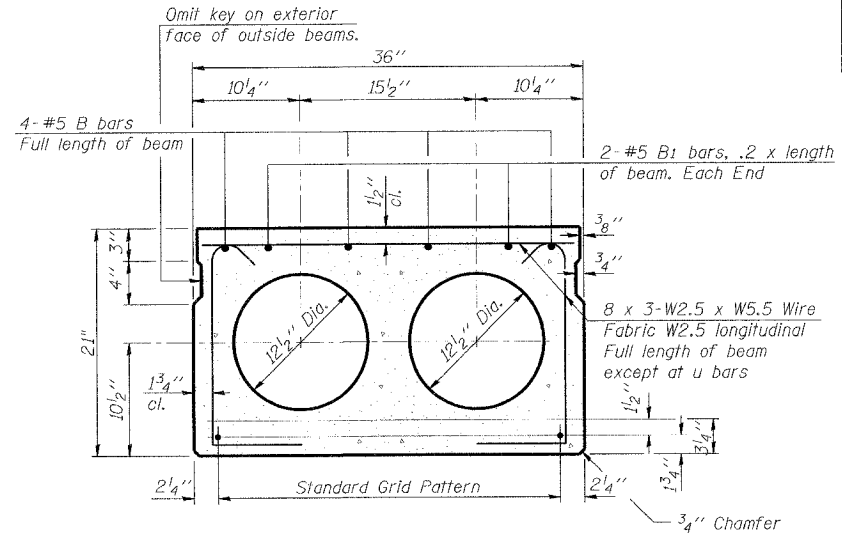


FABRIC BEARING PAD
(Exterior)
(8 Required)

FIXED



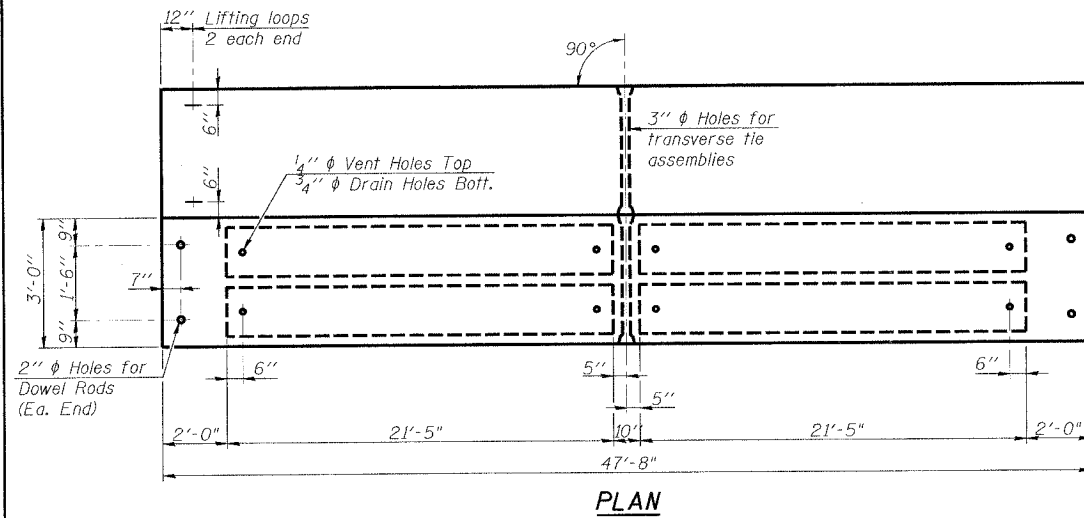
TYPICAL TRANSVERSE TIE ASSEMBLY



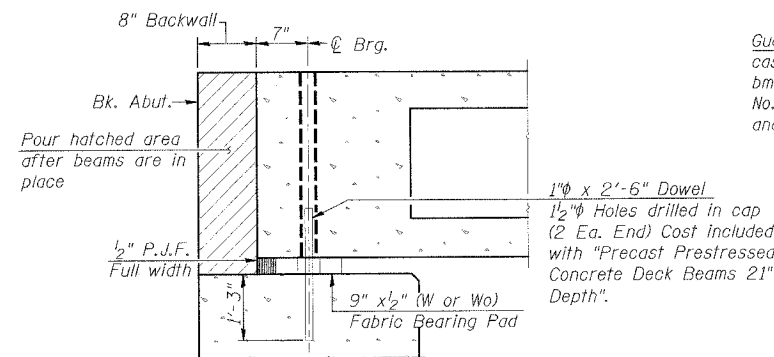
TYPICAL SECTION

15-1/2" ϕ Strands, Each Strand Stressed to 30,900 Lbs.
7-Strands 1 3/4" up, 6-Strands 3 1/4" up, 2-Strands 9" up

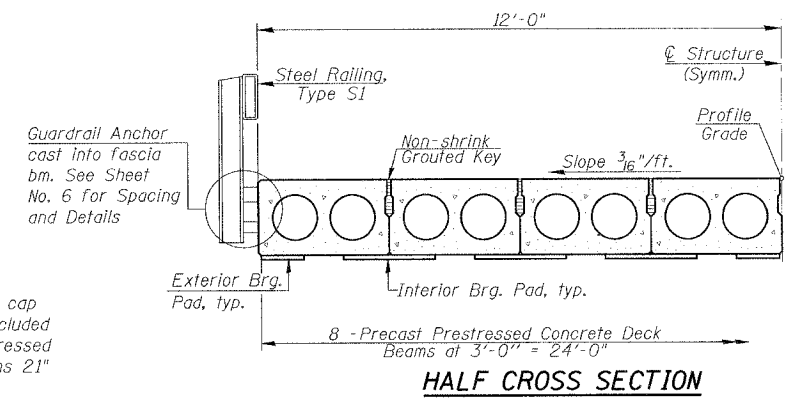
Note:
Place strands symmetrically about ϕ of beam.



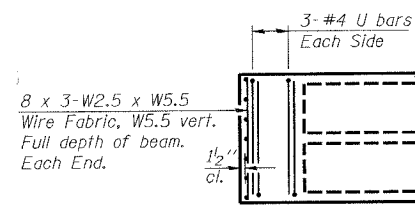
PLAN



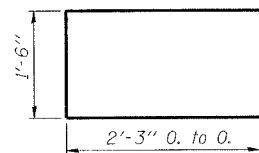
SECTION THRU ABUTMENT
(At Right Angles)



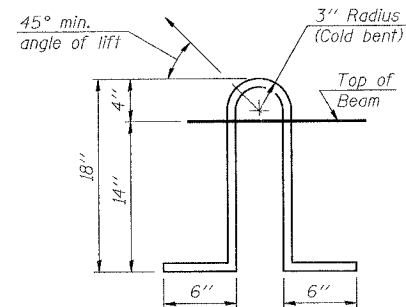
HALF CROSS SECTION



END PLAN



BAR U



LIFTING LOOP DETAIL

NOTES

- Prestressing steel shall be uncoated high strength, low relaxation 7-wire strand, Grade 270. The nominal diameter shall be 1/2" and the nominal cross-sectional area shall be 0.153 sq. in. Lifting loops shall be 2-1/2" ϕ 270 ksi strands, as shown.
- The 1" ϕ rods in the transverse tie assembly shall be tightened to a snug fit and the threads set. Pockets that receive transverse tie bar on outside shall be filled with grout after transverse tie assembly is in place.
- Non prestressing steel shall conform to ASTM A 706 (IL MOD), Grade 60.
- The bearing seat surfaces shall be adjusted by shimming to assure firm and even bearing. Two 1/2" fabric adjusting shims of the dimensions of the Exterior Bearing Pad shall be provided for each bearing.
- Keyway surfaces shall be cleaned to remove form oil or other bond breaking material prior to shipment of the beams. Cleaning shall be done by sandblasting the keyway areas between top of the beam and the bottom edge of the key.
- Corrosion Inhibitor, per Article 1020.05(b)(12) of the Standard Specifications, shall be used in the concrete for precast prestressed concrete deck beams.
- Required Release Strength, 1'cl, shall be 4000 p.s.i.

BILL OF MATERIAL

| Precast Prestressed Conc. Deck Bms.(21" Depth) | Sq. Ft. | 1144 |
|--|---------|------|
| | | |

| | | | |
|-------------|----------------------|------------|-----------|
| FILE NAME = | USER NAME = #USER# | DESIGNED - | REVISED |
| FILE CL# | PLST SCALE = #SCALE# | DRAWN - | REVISED - |
| | PLD DATE = #DATE# | CHECKED - | REVISED - |
| | | DATE - | REVISED - |

Allen Henderson & Associates, Inc.
Civil and Structural Engineers Springfield, IL
62703 Phone: (217)544-8033 IL Design Firm
No. 184-001907

| | | |
|-----------------------|--------------------------|------------------------------|
| SUPERSTRUCTURE | | |
| SCALE: VARIES | SHEET NO. 5 OF 10 SHEETS | STA. 590+00 TO STA. 10+00.00 |

| | | | | |
|---|----------------|--------|--------------|-----------|
| T.R. RTE. | SECTION | COUNTY | TOTAL SHEETS | SHEET NO. |
| 77 | 05-09111-00-BR | JERSEY | 10 | 5 |
| CONTRACT NO. 97344 | | | | |
| FED. ROAD DIST. NO. ILLINOIS FED. AID PROJECT | | | | |