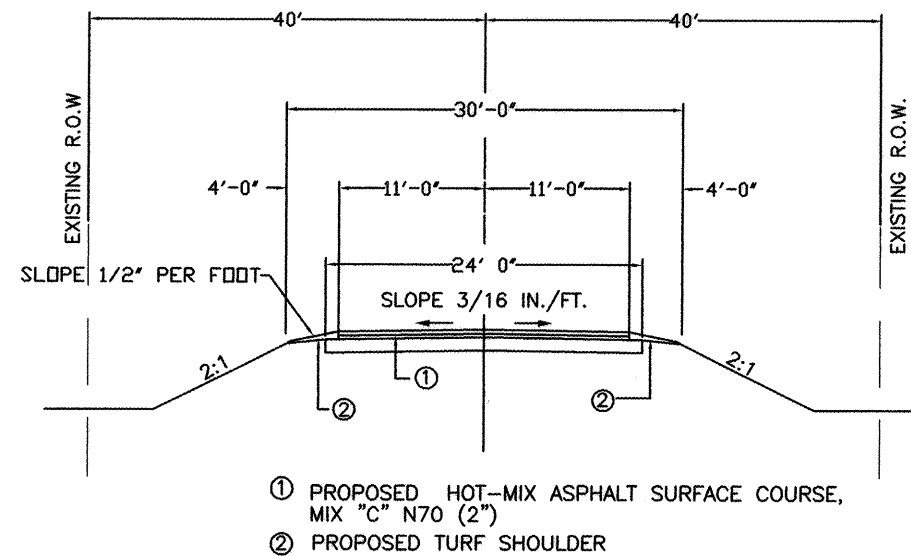


EXISTING TYPICAL SECTION

STA. 45+86 TO STA. 46+71.15  
 STA. 47+62.65 TO STA. 49+00



PROPOSED TYPICAL SECTION

STA. 45+86 TO STA. 46+71.15  
 STA. 47+62.65 TO STA. 49+00

QUANTITIES USED FOR ESTIMATING

BITUMINOUS MATERIALS (PRIME COAT) 0.07 GAL/SQ.YD.

**SUMMARY OF QUANTITIES**

BRIDGE CONSTR CODE - X080-2A

QUANTITY	UNIT	ITEM	ITEM NUMBER
257	CU YD	CHANNEL EXCAVATION	20300100
28	TON	POROUS GRANULAR EMBANKMENT	20700110
242	TON	STONE DUMPED RIPRAP CLASS A4	28100807
50	GALLON	BITUMINOUS MATERIAL (PRIME COAT)	40600100
147	SQ YD	HOT-MIX ASPHALT SURFACE REMOVAL - BUTT JOINT	40600982
111	TON	HOT-MIX ASPHALT SURFACE COURSE, MIX "C" N70	40603315
1	L SUM	REMOVAL OF EXISTING STRUCTURES	50100200
7.6	CU YD	CONCRETE REMOVAL	50102400
37	CU YD	CONCRETE STRUCTURES	50300225
17.4	CU YD	CONCRETE ENCASEMENT	50300280
2513	SQ FT	PRECAST PRESTRESSED CONCRETE DECK BEAMS (17" DEPTH)	50400305
4300	POUND	REINFORCEMENT BARS	50800105
180	FOOT	STEEL BRIDGE RAIL, TYPE SM	50901050 *
1029	FOOT	FURNISHING STEEL PILES HP10X42	51201400
1029	FOOT	DRIVING PILES	51202305
2	EACH	TEST PILE STEEL HP10X42	51203400
18	EACH	PILE SHOES	51204650
1	EACH	NAME PLATES	51500100
280	SQ YD	WATERPROOFING MEMBRANE SYSTEM	58100200
540	FOOT	PORTLAND CEMENT MORTAR FAIRING COURSE	58300100
4	EACH	TRAFFIC BARRIER TERMINAL, TYPE 6A	63100087*
4	EACH	TRAFFIC BARRIER TERMINAL TYPE 1, SPECIAL (TANGENT)	63100167*
1	L SUM	MOBILIZATION	67100100
4	EACH	TERMINAL MARKER-DIRECT APPLIED	78201000*
1	EACH	STRUCTURE EXCAVATION PROTECTION FOR PILE BENTS, NO. 1	X5020301
1	EACH	STRUCTURE EXCAVATION PROTECTION FOR PILE BENTS, NO. 2	X5020302

\* DENOTES SPECIALTY ITEMS.

GENERAL NOTES

1. ALL CONSTRUCTION SIGNS SHALL BE 48 INCH FLUORESCENT ORANGE.
2. PAVEMENT MARKING TO BE DONE BY OTHERS.