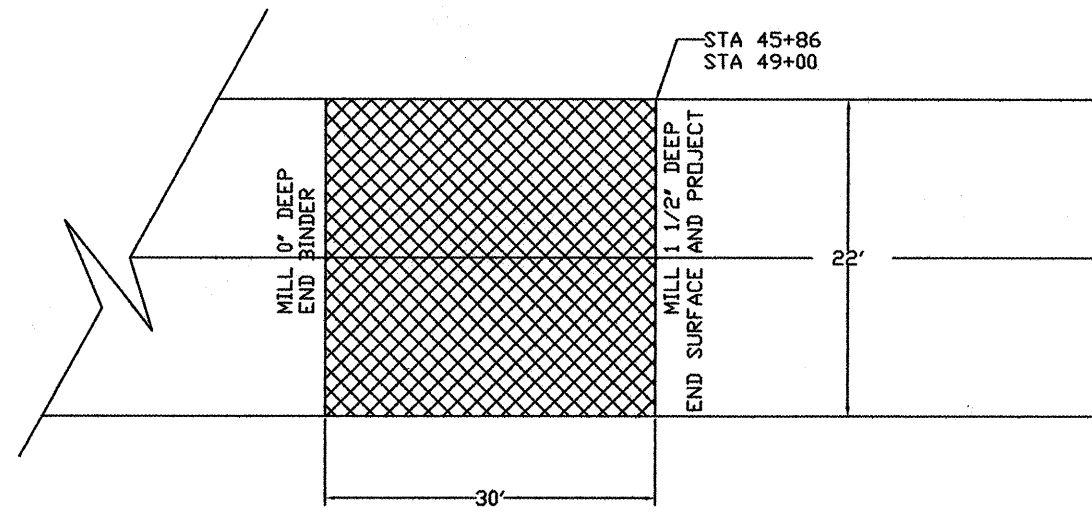


CONTRACT NO. 97355

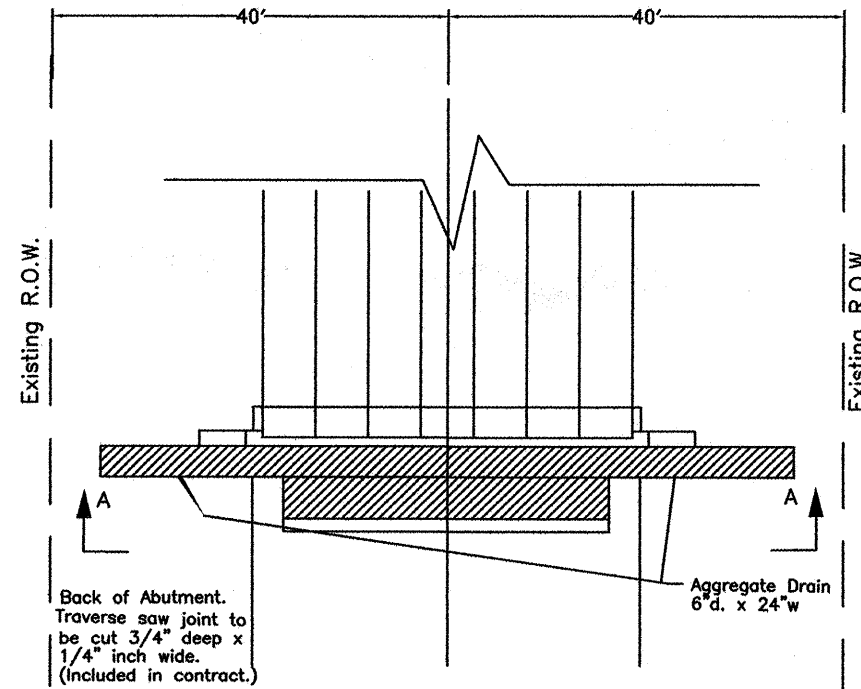
LOCATION	HOT MIX ASPHALT SURFACE TON	CONC. REMOV. CU YD	CHANNEL EXCAV CU YD	STONE DUMPED RIPRAP TON
STA. 45+86 TO STA. 46+71.15	26	3.8		
STA. 46+71.15 TO STA. 47+62.65	41		257	242
STA. 47+62.65 TO STA. 49+00	44	3.8		
TOTAL	111	7.6	257	242



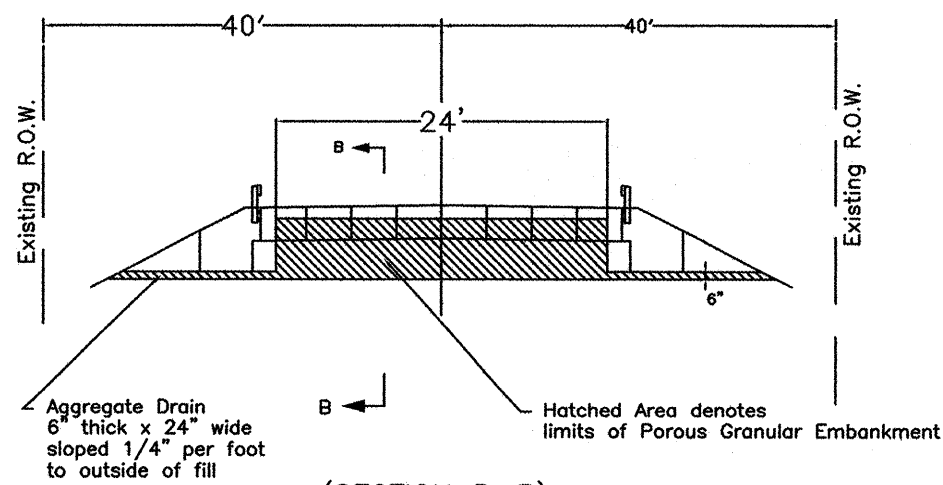
BUTT JOINT DETAIL

MIXTURE REQUIREMENTS

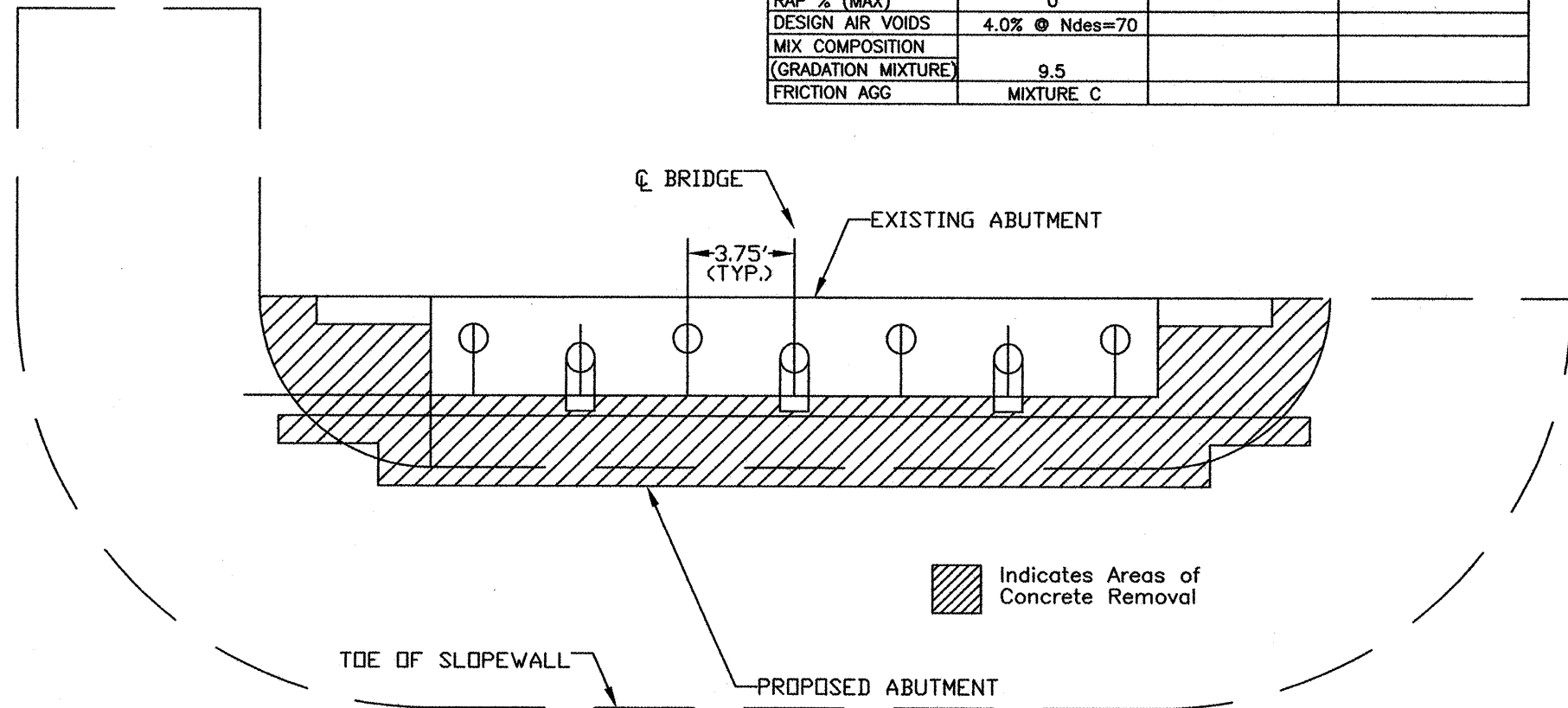
MIXTURE USE	SURFACE		
AC/PG	PG 64-22		
RAP % (MAX)	0		
DESIGN AIR VOIDS	4.0% @ Ndes=70		
MIX COMPOSITION (GRADATION MIXTURE)	9.5		
FRICITION AGG	MIXTURE C		



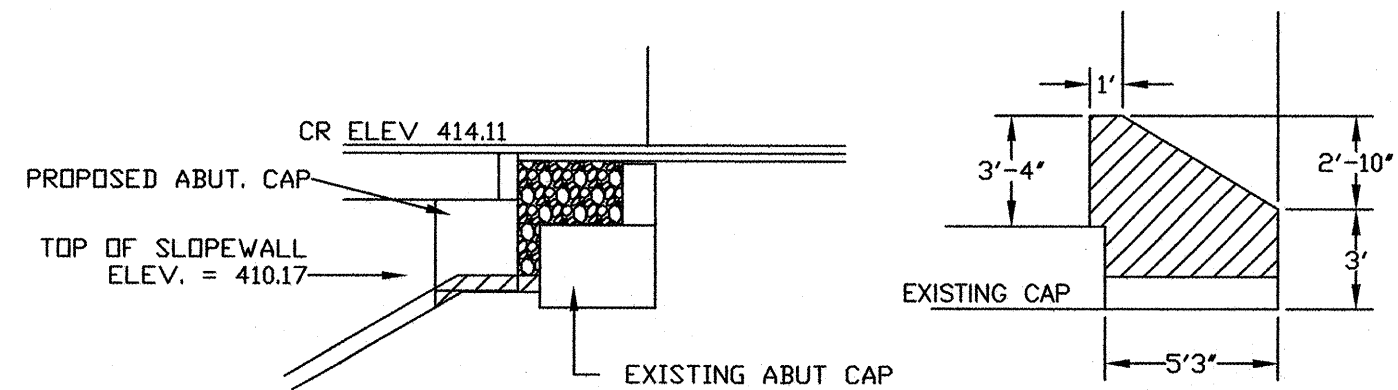
PLAN VIEW OF POROUS GRANULAR EMBANKMENT



(SECTION B-B)
TYPICAL SECTION THRU
POROUS GRANULAR EMBANKMENT



Indicates Areas of Concrete Removal



SECTION B-B

WING WALL REMOVAL