
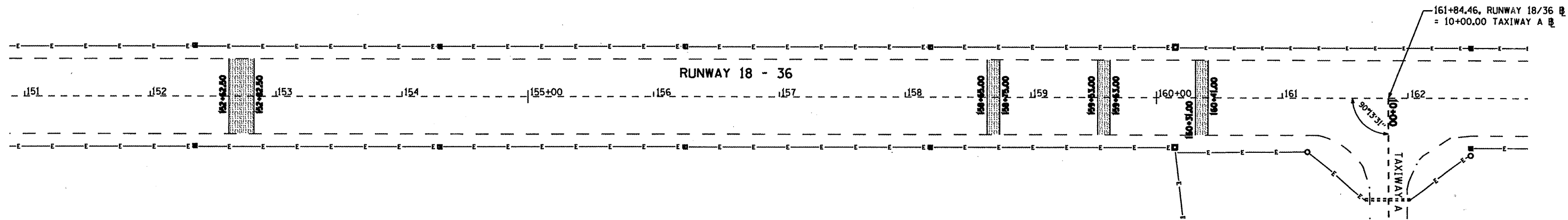
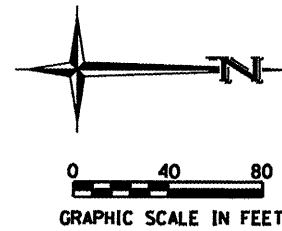



- LEGEND**
- EXISTING STAKE-MOUNTED RUNWAY LIGHT
 - EXISTING BASE-MOUNTED RUNWAY LIGHT
 - EXISTING STAKE-MOUNTED TAXIWAY LIGHT
 - - - EXISTING PAVEMENT
 -  PROPOSED BITUMINOUS PAVEMENT REMOVAL AND REPLACEMENT



PAVEMENT REMOVAL & REPLACEMENT QUANTITIES			
ITEM NO.	DESCRIPTION	UNIT	QUANTITY
AR201610	BITUMINOUS BASE COURSE	TON	75
AR209510	CRUSHED AGGREGATE BASE COURSE	TON	153
AR401610	BITUMINOUS SURFACE COURSE	TON	56
AR401900	REMOVE BITUMINOUS PAVEMENT	S.Y.	333
AR602510	BITUMINOUS PRIME COAT	GAL.	117
AR603510	BITUMINOUS TACK COAT	GAL.	73

REMOVE AND REPLACE BITUMINOUS PAVEMENT NOTES

THE AREA(S) DESIGNATED AS  WILL HAVE THE EXISTING BITUMINOUS PAVEMENT AND BASE COURSE REMOVED (FULL DEPTH) AND REPLACED WITH AGGREGATE BASE COURSE, BITUMINOUS BASE COURSE AND BITUMINOUS SURFACE COURSE. ALL REMOVED MATERIAL WILL BE LAWFULLY DISPOSED OF BY THE CONTRACTOR OFF THE AIRPORT SITE.

WHERE THE PROPOSED REMOVAL AND REPLACEMENT AREA ABUTS THE EXISTING PAVEMENT, THE PAVEMENT WILL BE SAWCUT PRIOR TO REMOVAL. THE SAWING WILL BE CONSIDERED AS AN INCIDENTAL ITEM TO THE PROPOSED PAVEMENT REMOVAL AND NO ADDITIONAL COMPENSATION WILL BE ALLOWED.

PRIOR TO PLACEMENT OF THE PROPOSED BITUMINOUS BASE COURSE, THE CRUSHED AGGREGATE SHALL BE SPRAYED WITH AN APPLICATION OF BITUMINOUS PRIME COAT AT A RATE OF 0.35 GALLONS PER SQUARE YARD. THE VERTICAL SIDES OF THE EXISTING BITUMINOUS PAVEMENT SHALL BE SPRAYED WITH AN APPLICATION OF BITUMINOUS TACK COAT. AN APPLICATION RATE OF 0.20 GALLONS PER SQUARE YARD WAS USED FOR CALCULATING THE QUANTITY OF TACK COAT FOR THIS APPLICATION. THE EXACT AMOUNT OF BITUMINOUS TACK COAT TO BE USED SHALL BE DETERMINED BY THE RESIDENT ENGINEER AT THE TIME OF CONSTRUCTION.

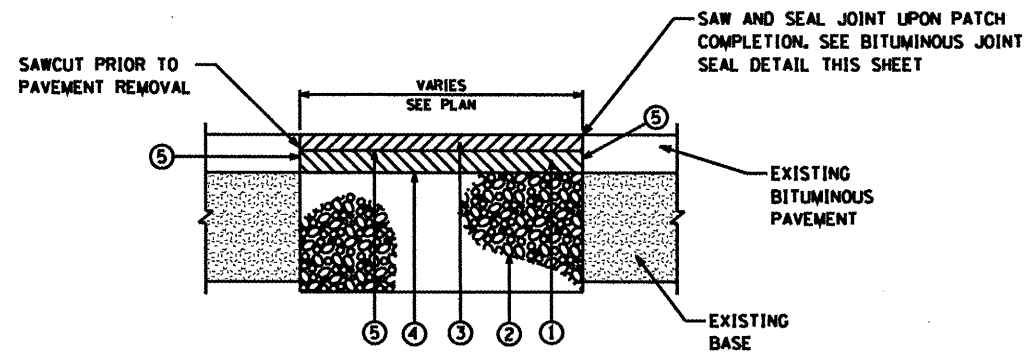
PRIOR TO PLACEMENT OF THE PROPOSED BITUMINOUS SURFACE COURSE, THE BITUMINOUS BASE COURSE AND THE VERTICAL SIDES OF THE EXISTING BITUMINOUS PAVEMENT SHALL BE SPRAYED WITH AN APPLICATION OF BITUMINOUS TACK COAT. AN APPLICATION RATE OF 0.20 GALLONS PER SQUARE YARD WAS USED FOR CALCULATING THE QUANTITY OF TACK COAT FOR THIS APPLICATION. THE EXACT AMOUNT OF BITUMINOUS TACK COAT TO BE USED SHALL BE DETERMINED BY THE RESIDENT ENGINEER AT THE TIME OF CONSTRUCTION.

ALL WORK RELATED TO THE BITUMINOUS JOINT SEALING WILL BE CONSIDERED AS AN INCIDENTAL ITEM TO THE PROPOSED PAVEMENT REPLACEMENT AND NO ADDITIONAL COMPENSATION WILL BE ALLOWED.

ANY ADJACENT PAVEMENT DAMAGED BY THE PAVEMENT REMOVAL OR REPLACEMENT OPERATIONS WILL BE REPAIRED AT THE CONTRACTOR'S OWN EXPENSE.

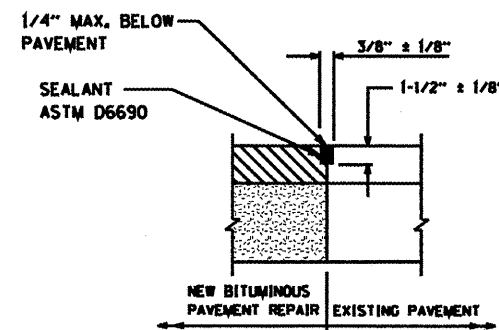
THE PROPOSED REMOVAL WILL BE PAID FOR UNDER ITEM: AR401900 "REMOVE BITUMINOUS PAVEMENT" PER SQUARE YARD

THE PROPOSED REPLACEMENT WILL BE PAID FOR UNDER ITEMS: AR201610 "BITUMINOUS BASE COURSE" PER TON
AR209510 "CRUSHED AGGREGATE BASE COURSE" PER TON
AR401610 "BITUMINOUS SURFACE COURSE" PER TON
AR602510 "BITUMINOUS PRIME COAT" PER GALLON
AR603510 "BITUMINOUS TACK COAT" PER GALLON



- ① PROPOSED 4 INCH BITUMINOUS BASE COURSE, ITEM AR201610 (PLACED IN TWO LIFTS)
- ② PROPOSED 8 INCH CRUSHED AGGREGATE BASE COURSE, ITEM AR209510
- ③ PROPOSED 3 INCH BITUMINOUS SURFACE COURSE, ITEM AR401610
- ④ PROPOSED BITUMINOUS PRIME COAT, ITEM AR602510
- ⑤ PROPOSED BITUMINOUS TACK COAT, ITEM AR603510

BITUMINOUS PAVEMENT REMOVAL AND REPLACEMENT DETAIL
NOT TO SCALE



BITUMINOUS JOINT SEAL DETAIL
NOT TO SCALE

FILE NAME: P:\B7\BPP\Design\Plan\B7\BE002.dgn

DATE	REVISION

GREATER BEARDSTOWN MUNICIPAL AIRPORT
CITY OF BEARDSTOWN, BEARDSTOWN, ILLINOIS

FILENAME	0761899014.dgn
PLOT SCALE	80.0000' / IN.
DATE	JULY 8, 2008
SHEET 14 OF 40 SHEETS	
LAYOUT	MGM 03/20/08
DRAWN	MGM 03/20/08
REVIEWED	RHB 05/06/08



BENTON & ASSOCIATES, INC.
1970 W. LAFAYETTE AVE., JACKSONVILLE IL 62650
(217) 245-4146 (217) 245-4149 FAX
SPRINGVILLE MISSOURI
MACOMB ILLINOIS
ST. LOUIS MISSOURI

RUNWAY 18-36 REPAIR PLAN

ILL. PROJ. NO. K06-3749 A.I.P. PROJ. NO. 3-17-0004-B12