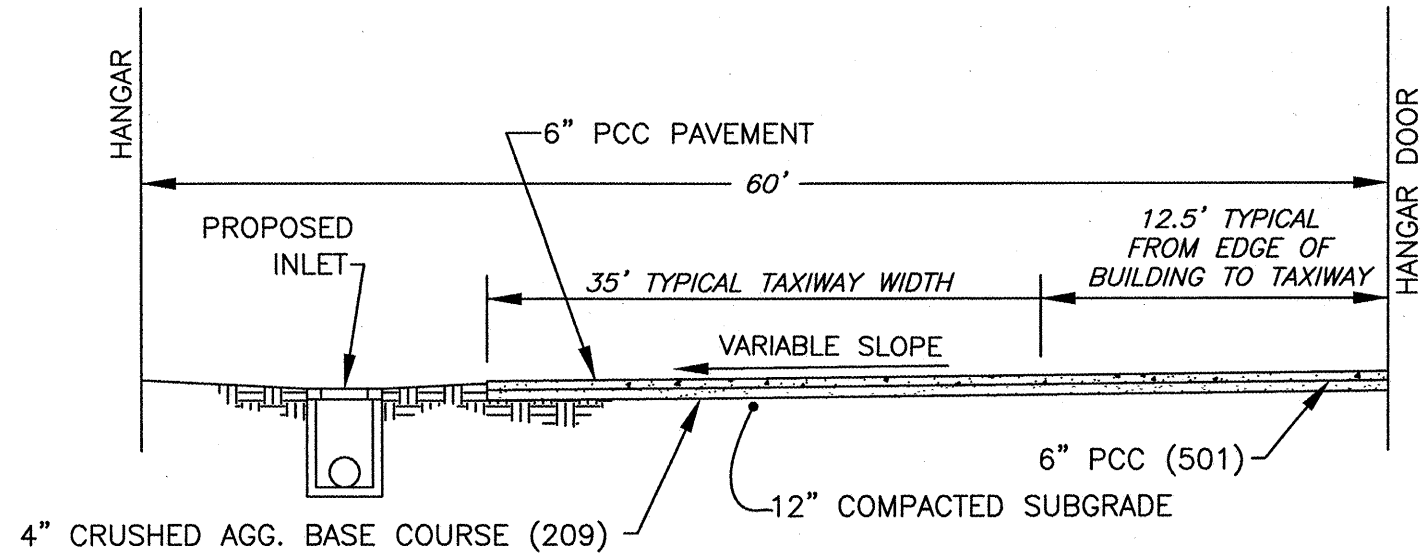


GENERAL NOTES

1. CONCRETE TO BE FINISHED TO A BROOM FINISH.
2. PROPOSED CONCRETE SHALL BE TIED TO EXISTING CONCRETE PAVEMENT AND NEW CONCRETE POURS USING 30" #4 REBAR AT 18" CENTERS DRILLED AND EPOXY SEALED.
3. TACK COAT SHALL BE APPLIED IN ACCORDANCE WITH ITEM 603 AFTER THE FIRST LIFT OF BITUMINOUS SURFACE COURSE AND PRIOR TO THE APPLICATION OF THE SECOND LIFT.

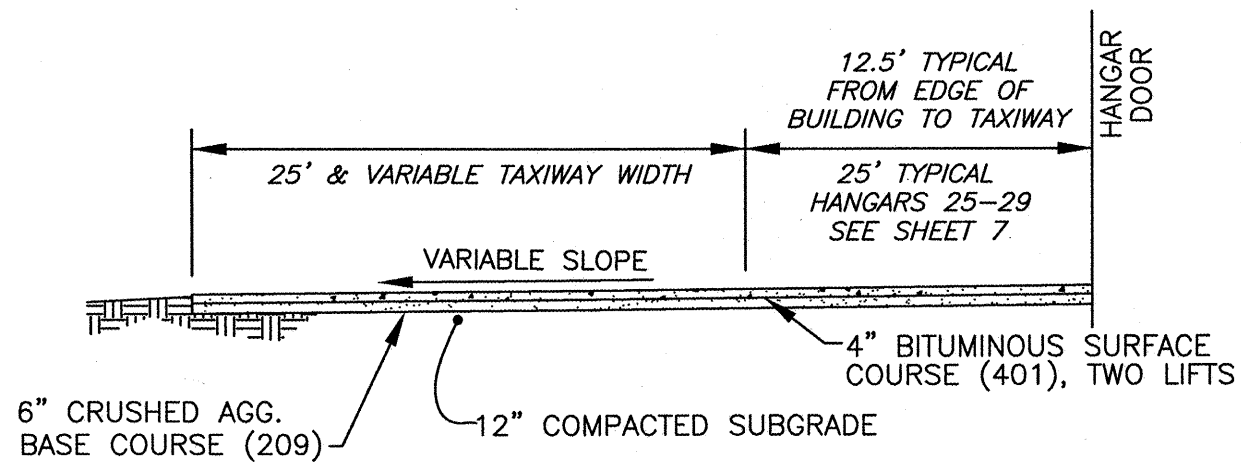
HARRISBURG-RALEIGH AIRPORT
IL PROJECT NO. HSB-3756
AIP NO. 3-17-0050-B10
TYPICAL DETAILS AND NOTES
SHEET 8 OF 8

HA026



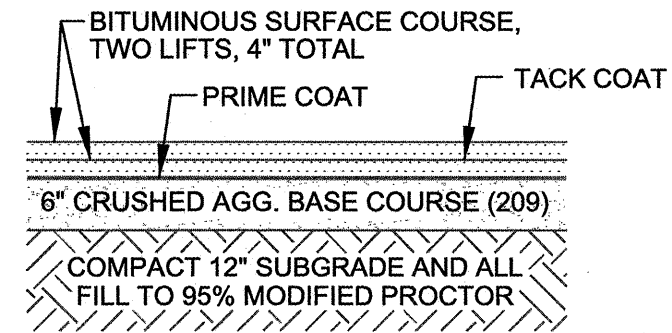
TAXIWAY CROSS SECTION A-A

NO SCALE

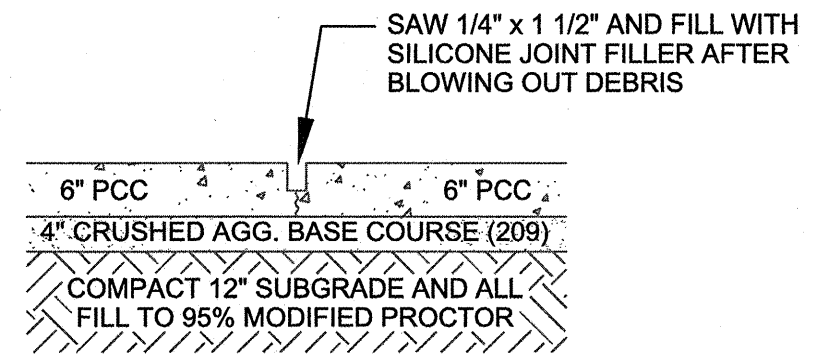


TAXIWAY CROSS SECTION B-B

NO SCALE



4" BITUMINOUS PAVEMENT



6" PCC PAVEMENT WITH SAW JOINT DETAIL

TYPICAL SECTIONS

NO SCALE